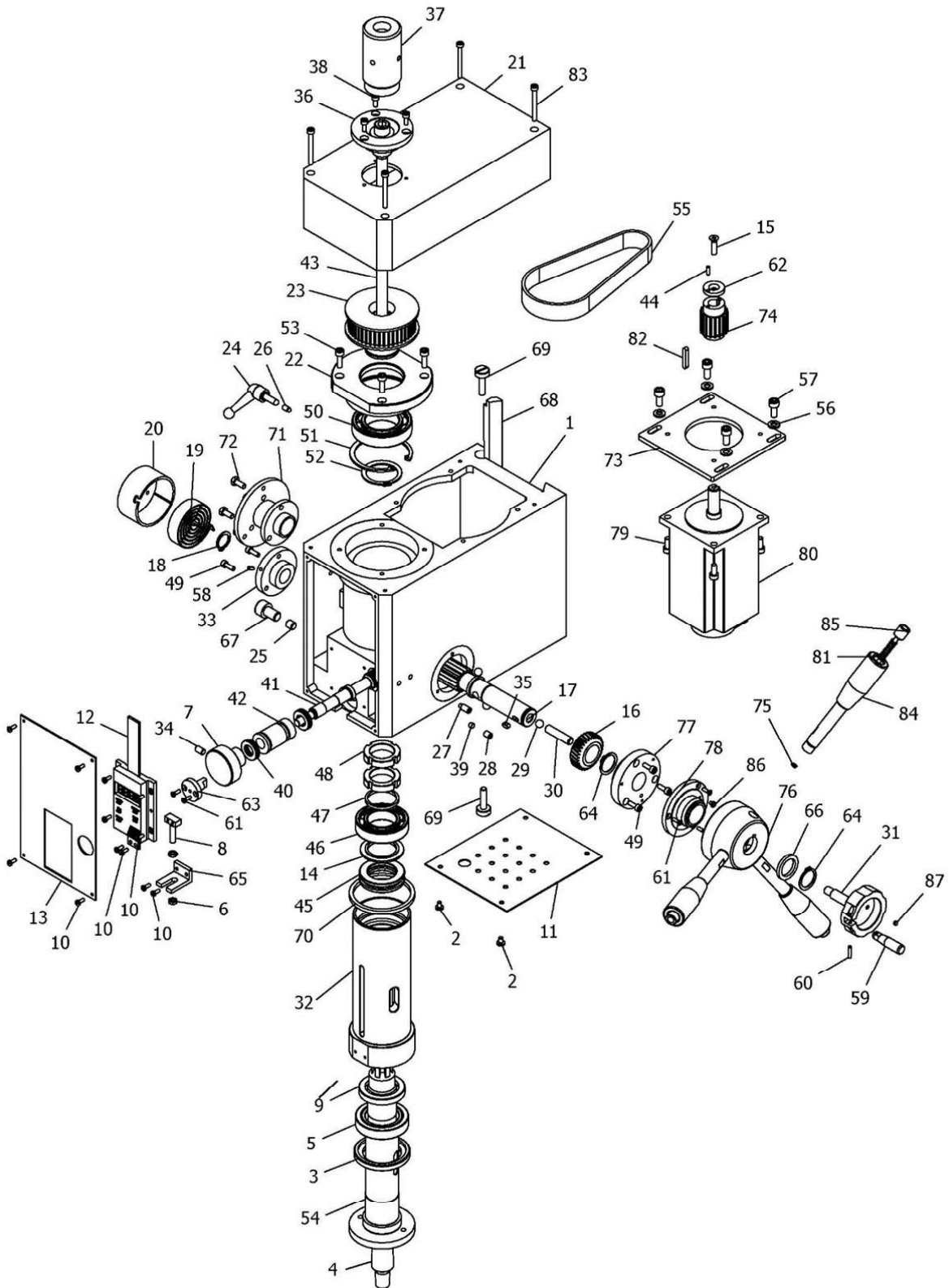


# 14.0 Replacement Parts

## PBM-1839BDV Assembly Breakdown -1



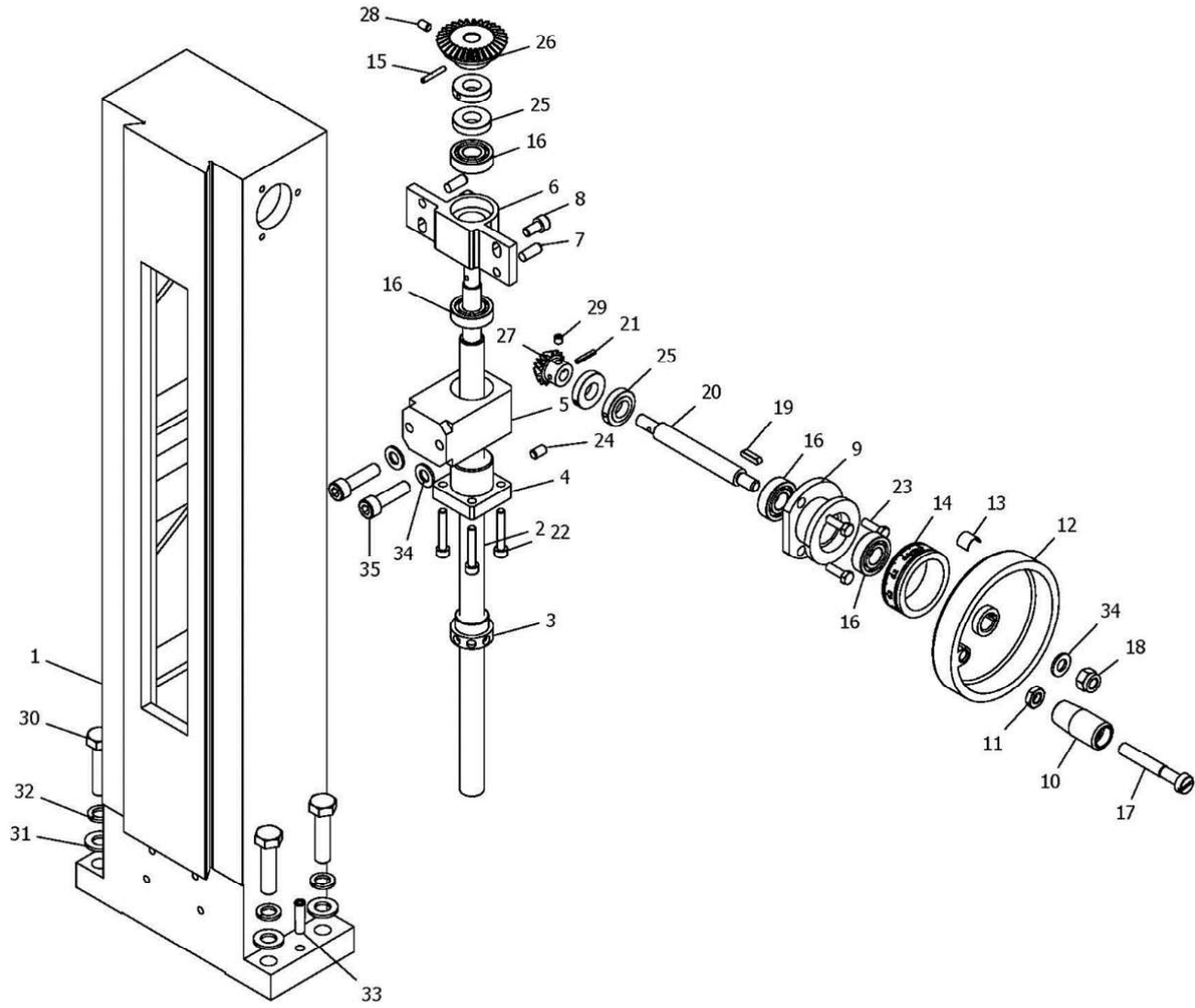
**PBM-1839BDV Parts List for Breakdown -1 (1/2)**

<b>Index No.</b>	<b>Part No.</b>	<b>Description</b>	<b>Size</b>	<b>Qty.</b>
1	PBM1839BDV-1-01	SPINDLE BOX		1
2	GB81885-4-6	PHILLIPS HD SCREW	M4 x 6 mm	2
3	JMDX2S-1-03	SPINDLE BELOW OIL SEAL RING I		1
4	JMDX2S-1-04	B16 TAPER SHANK		1
5	TRB-32907	TAPERED ROLLER BEARING	32907	1
6	GB617286-5	HEX NUT (THIN)	M5	2
7	JMDX2S-1-07	FINE FEEDING HANDWHEEL		1
8	JMDX2S-1-08	DISPLAY FIXED SQUARE SCREW		1
9	JMDX2S-1-09	SPINDLE SLEEVE BELOW OIL SEAL RING II		1
10	GB81885-3-8	PHILLIPS HD SCREW	M3 x 8 mm	12
11	JMDX2S-1-11A	BASE PLATE		1
12	JMDX2S-1-12	DIGITAL DISPLAY MODULE		1
13	PBM1839BDV-1-13	PANEL		1
14	JMDX2S-1-14	UP WASHER II		1
15	GB81985-5-20	CROSS RECESSED FLAT HD SCREW	M5 x 20	1
16	JMDX2S-1-16	BEVEL GEAR		1
17	JMDX2S-1-17	GEAR SHAFT		1
18	GB8941-16	CIRCLIP FOR SHAFT	16	1
19	JMDX2S-1-19	CLOCK SPRING		1
20	JMDX2S-1-20	CLOCK SPRING COVER		1
21	PBM1839BDV-1-21	SPINDLE BOX COVER		1
22	JMDX2S-1-22	BEAR SEAT		1
23	JMDX2S-1-23	SPINDLE TIMING BELT		1
24	JMDX2S-1-24	SMALL HANDLE ASSEMBLY		1
25	JMDX2S-1-25	SPINDLE SLEEVE LOCKING SHAFT		1
26	JMDX2S-1-26	TIGHTEN THE TOP ROD		1
27	GB7985-6-14	SET SCREW (CYLINDER END)	M6 x 14 mm	1
28	GB7785-6-8	SET SCREW (FLAT END)	M6 x 8 mm	1
29	GB30889-8	STELL BALL	.8 mm	3
30	JMDX2S-1-30	LOCKING SMALL SHAFT		1
31	JMDX2S-1-31	WORM LOCKING HANDLE		1
32	JMDX2S-1-32	SPINDLE SLEEVE		1
33	JMDX2S-1-33	SHAFT GEAR LEFT SUPPORT FLANGE		1
34	GB7785-6-10	SET SCREW (FLAT END)	M6 x 10 mm	1
35	GB109679-4-8	FLAT KEY	4 x 8 mm	1
36	JMDX2S-1-36	SPINDLE UP DUST GUARD I		1
37	JMDX2S-1-37	SPINDLE UP DUST GUARD II		1
38	GB7085-4-10	SOCKET HD SCREW	M4 x 10 mm	3
39	JMDX2S-1-39	ECCENTRIC SLEEVE LOCKING BLOCK		1
40	TBB-57001	THRUST BALL BEARING	12 x 22 x 5	2
41	JMDX2S-1-41	WORM SHAFT		1
42	JMDX2S-1-42	WORM ECCENTRIC SLEEVE		1
43	JMDX2S-1-43	LOCKING BOLT ASSEMBLY		1
44	GB11986A-3-10	ROUND PIN	3 x 10	1
45	TBB-51106	THRUST BALL BEARING		1
46	BB-6006ZZ	BALL BEARING	6006ZZ	1
47	JMDX2S-1-47	UP WASHER		1
48	JMDX2S-1-48	SLOTTED ROUND NUT		2
49	GB7085-4-12	SOCKET HD SCREW	M4 x 12 mm	6

## PBM-1839BDV Parts List for Breakdown -1 (2/2)

Index No.	Part No.	Description	Size	Qty.
50	BB-6007ZZ	BALL BEARING	6007ZZ	1
51	GB8931-62	CIRCLIP FOR HOLE	62	1
52	GB8941-35	CIRCLIP FOR SHAFT	35	1
53	GB7085-5-16	SOCKET HD SCREW	M5 x 16 mm	4
54	JMDX2S-1-54	SPINDLE		1
55	JMDX2S-1-55	TIMING BELT	HTD-385 Z77	1
56	GB97185-6	WASHER	6	4
57	GB7085-6-14	SOCKET HD SCREW	M6 x 14 mm	4
58	GB87986-3-8	ROLL PIN	3 x 8 mm	2
59	JMDX2S-1-59	ASSIST SMALL HANDLE		1
60	GB11986A-3-14	ROUND PIN	3 x 14 mm	1
61	GB81985-3-10	CROSS RECESSED FLAT HD SCREW	M3 x 10 mm	5
62	JMDX2S-1-62	WASHER		1
63	JMDX2S-1-63	SPINDLE SLEEVE POSITION SHAFT		1
64	GB8941-20	CIRCLIP FOR SHAFT	20	2
65	JMDX2S-1-65	DISPLAY FIXED BRACKET		1
66	JMDX2S-1-66	ROUND GEAR SHAFT ADJUST WASHER		1
67	GB7085-10-16	SOCKET HD SCREW	M10 x 16 mm	1
68	JMDX2S-1-68	BEVEL WEDGE		1
69	JMDX2S-1-69	WEDGE SCREW		2
70	JMDX2S-1-70	SLEEVE LIMITED WASHER		1
71	JMDX2S-1-71	ATTACHMENT BRACKET		1
72	GB578186-5-12	HEX HD SCREW	M5 x 12 mm	3
73	JMDX2S-1-73	MOTOR SUPPORT PLATE	1/4" x 1/4"	1
74	JMDX2S-1-74	MOTOR TIMING PULLEY	1/4" x 1/4"	1
75	GB89686-3	E RING	3 mm	3
76	JMDX2S-1-76	HANDLE SEAT		1
77	JMDX2S-1-77	SHAFT GEAR RIGHT SUPPORT FLANGE		1
78	JMDX2S-1-78	CONDUCTING RING ASSEMBLY		1
79	GB7085-5-12	SOCKET HD SCREW	M5 x 12 mm	4
80	JMDX2S-1-80	MOTOR (DC-BRUSHLESS)	750W	1
81	GB208980-08-6-25	SPRING	0.8 x 6 x 25 mm	3
82	GB109679-4-25	FLAT KEY	4 x 25 mm	1
83	GB7085-4-40	SOCKET HD SCREW	M4 x 40 mm	4
84	JMDX2S-1-84	CONTROL POLE ASSEMBLY		3
85	JMDX2S-1-85	F/R CONTROL POLE ASSEMBLY		3
86	GB81885-3-4	PHILLIPS HD SCREW	M3 x 4 mm	1
87	JMDX2S-1-87	MAGNET		1

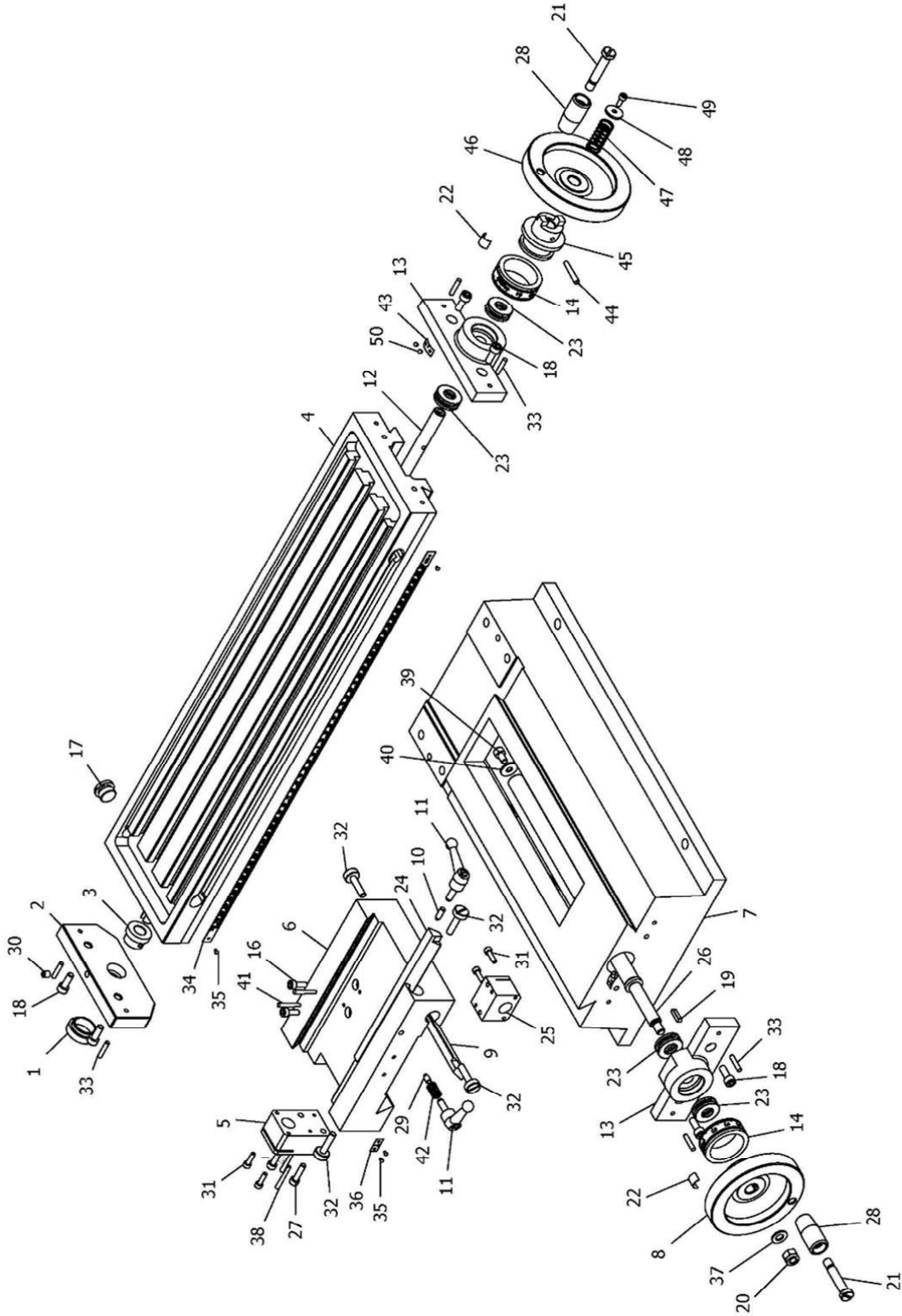
PBM-1839BDV Assembly Breakdown -2



**PBM-1839BDV Parts List for Breakdown -2**

<b>Index No.</b>	<b>Part No.</b>	<b>Description</b>	<b>Size</b>	<b>Qty.</b>
1	JMDX2S-2-01	COLUMN		1
2	JMDX2S-2-02	METRIC RISE AND DOWN LEADSCREW		1
3	JMDX2S-2-03	METRIC RISE AND DOWN LOCKING NUT		1
4	JMDX2S-2-04	METRIC RISE AND DOWN LEADSCREW NUT		1
5	JMDX2S-2-05	COLUMN NUT SUPPORT		1
6	JMDX2S-2-06	LEADSCREW SUPPORT		1
7	GB11886-6-16	TAPER PIN WITH INTERNAL THREAD	.6 x 16 mm	2
8	GB7085-6-12	SOCKET HD SCREW	M6 x 12 mm	2
9	JMDX2S-2-09	RISE AND DOWN SUPPORT SEAT		1
10	JMDX2S-2-10	HANDLE		1
11	GB617286-8	HEX NUT (THIN)	M8	1
12	JMDX2S-2-12	HANDLE WHEEL		1
13	JMDX2S-2-13	SPRING PIECE		1
14	JMDX2S-2-14	METRIC RISE AND DOWN SCALE DIAL		1
15	GB87986-3-20	ROLL PIN	.3 x 20 mm	1
16	BB-6001	BALL BEARING	.6001	4
17	GB6585-8-55	SLOTTED LARGE CHEESE HD SCREW	M8 x 55 mm	1
18	GB88986-8	HEX LOCKING NUT	M8	1
19	GB109679-4-16	FLAT KEY	.4 x 16 mm	1
20	JMDX2S-2-20	RISE AND DOWN SHAFT		1
21	GB87986-3-16	ROLL PIN	.3 x 16 mm	1
22	GB7085-5-30	SOCKET HD SCREW	M5 x 30 mm	4
23	GB578186-5-16	HEX HD SCREW	M5 x 16 mm	3
24	GB7785-6-10	SET SCREW (FLAT END)	M6 x 10 mm	1
25	JMDX2S-2-25	LOCKING NUT		4
26	JMDX2S-2-26	BIG BEVEL GEAR WHEEL		1
27	JMDX2S-2-27	SMALL BEVEL GEAR WHEEL		1
28	GB7885-5-8	SET SCREW (CONE END)	M5 x 8 mm	1
29	GB7885-5-5	SET SCREW (CONE END)	M5 x 5 mm	1
30	GB578086-10-40	HEX HD SCREW	M10 x 40 mm	4
31	GB97185-10	WASHER	.10	4
32	GB85987-10	SPRING WASHER (LIGHT)	.10	4
33	GB11886-6-24	TAPER PIN WITH INTERNAL THREAD	.6 x 24 mm	2
34	GB97185-8	WASHER	.8	1
35	GB7085-8-30	SOCKET HD SCREW	M8 x 30 mm	2

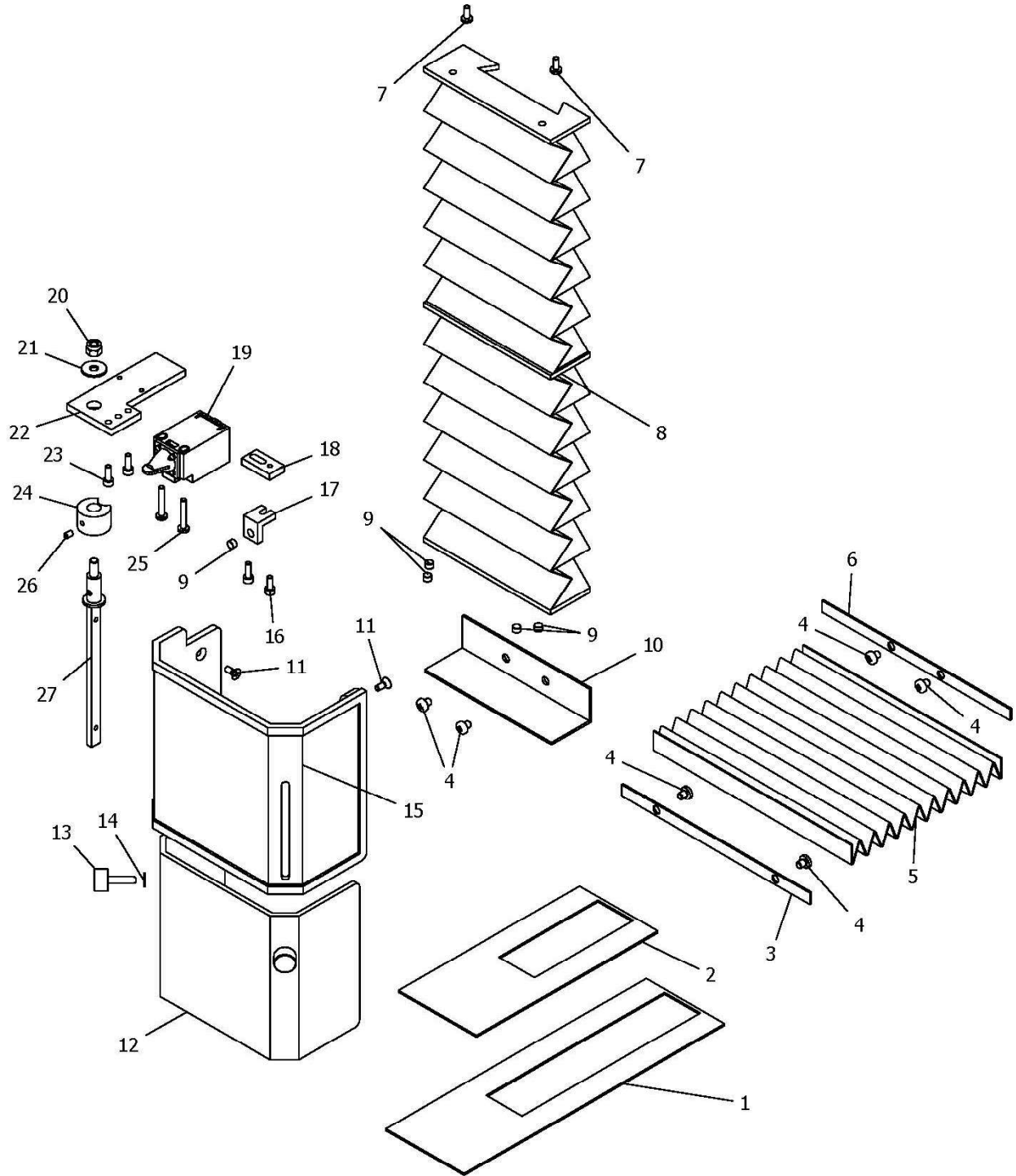
PBM-1839BDV Assembly Breakdown -3



**PBM-1839BDV Parts List for Breakdown -3**

Index No.	Part No.	Description	Size	Qty.
1	JMDX2S-3-01	COVER		1
2	JMDX2S-3-02	BRACKET		1
3	JMDX2S-3-03	SLEEVE		1
4	JMDX2S-3-04	WORK TABLE		1
5	JMDX2S-3-05	METRIC LONGITUDINAL LEADSCREW NUT		1
6	JMDX2S-3-06	SADDLE		1
7	PBM1839BDV-3-07	BASE		1
8	JMDX2S-3-08A	HANDWHEEL		2
9	JMDX2S-3-09	CROSS BEVEL WEDGE		1
10	JMDX2S-3-10	LONGITUDINAL WEDGE LOCKING CROWN BAR		1
11	JMDX2S-3-11	SMALL HANDLE ASSEMBLY		2
12	JMDX2S-3-12A	METRIC LONGITUDINAL LEADSCREW		1
13	JMDX2S-3-13	BEARING SEAT		2
14	JMDX2S-3-14	METRIC LONGITUDINAL/CROSS SCALE DIAL		2
16	GB7085-5-14	SOCKET HD SCREW	M5 x 14 mm	2
17	JMDX2S-3-17	PLUG		1
18	GB7085-6-16	SOCKET HD SCREW	M6 x 16 mm	6
19	GB109679-4-16	FLAT KEY	4 x 16 mm	1
20	GB88986-8	HEX LOCKING NUT	M8	1
21	GB6585-8-55	SLOTTED LARGE CHEESE HD SCREW	M8 x 55 mm	2
22	JMDX2S-3-22	SPING PIECE		2
23	TBB-51101	THRUST BALL BEARING	51101	4
24	JMDX2S-3-24	LONGITUDINAL BEVEL WEDGE		1
25	JMDX2S-3-25	METRIC CROSS LEADSCREW NUT		1
26	JMDX2S-3-26	METRIC CROSS LEADSCREW		1
27	GB7085-5-20	SOCKET HD SCREW	M5 x 20 mm	2
28	JMDX2S-3-28A	HANDLE		2
29	JMDX2S-3-29	TIGHTEN THE TOP ROD		1
30	JBT7940495-6	OIL CUP	6	1
31	GB7085-4-14	SOCKET HD SCREW	M4 x 14 mm	4
32	JMDX2S-3-32	WEDGE SCREW		4
33	GB11986A-4-20	ROUND PIN	4 x 20 mm	6
34	JMDX2S-3-34	SCALE		1
35	GB82786-2-3	RIVET	2 x 3 mm	4
36	JMDX2S-3-36	ZERO LABEL		1
37	GB97185-8	WASHER	8	1
38	GB11786A-3-30	TAPER PIN	3 x 30 mm	2
39	GB7085-6-10	SOCKET HD SCREW	M6 x 10 mm	1
40	GB9685-6	BIG WASHER	6	1
41	GB11786B-3-26	TAPER PIN	3 x 26 mm	2
42	JMDX2S-3-42	SPRING		1
43	JMDX2S-3-43	INDICATOR		2
44	GB11786A-4-28	TAPER PIN	4 x 28 mm	1
45	JMDX2S-3-45	CLUTCH		1
46	JMDX2S-3-46	HANDWHEEL		1
47	JMDX2S-3-47	SPRING		1
48	JMDX2S-3-48	WASHER		1
49	GB7085-4-10	SOCKET HD SCREW	M4 x 10 mm	1
50	GB82786-2-4	RIVET	2 x 4 mm	4

PBM-1839BDV Assembly Breakdown -4

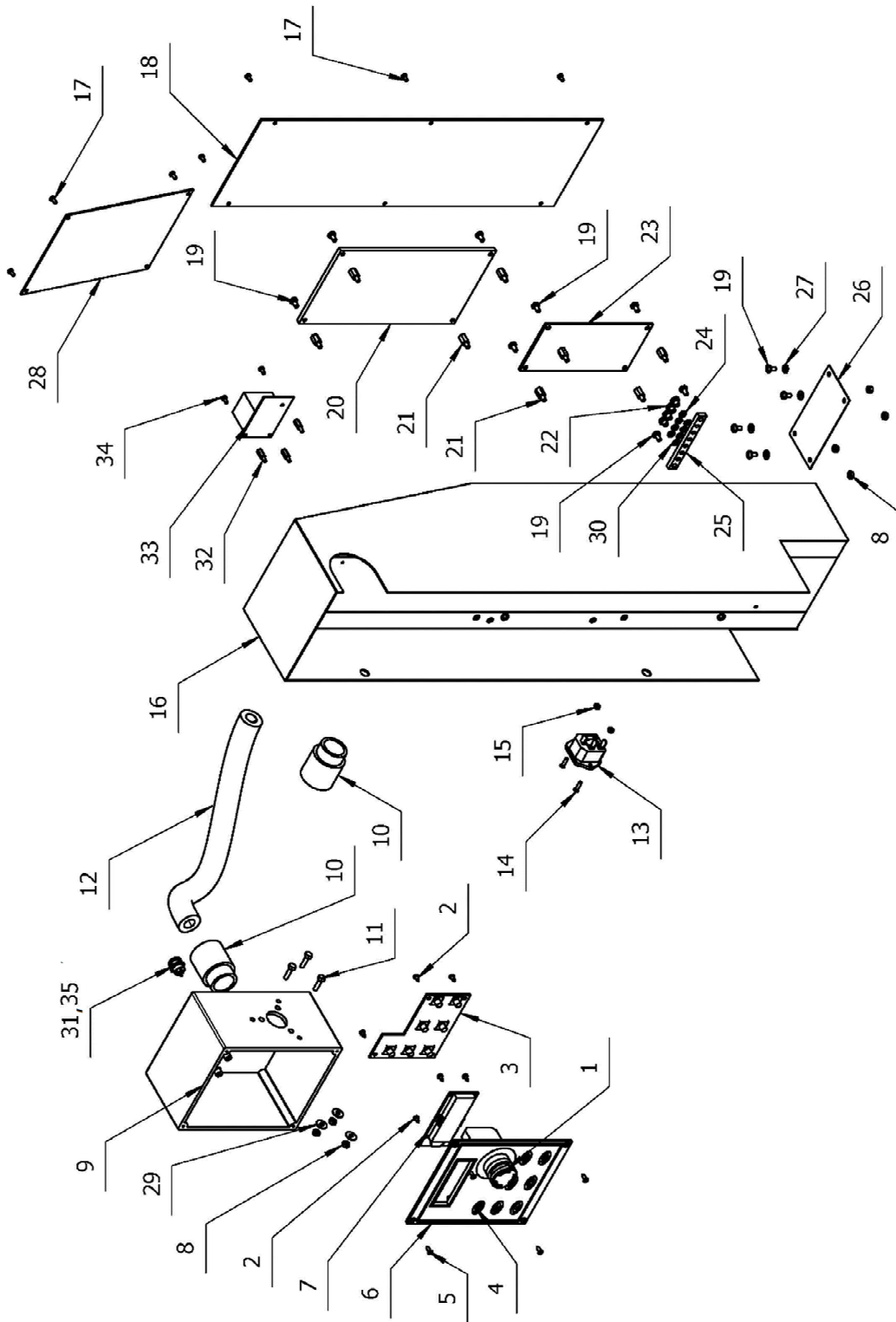




**PBM-1839BDV Parts List for Breakdown -4**

<b>Index No.</b>	<b>Part No.</b>	<b>Description</b>	<b>Size</b>	<b>Qty.</b>
1	JMDX2S-4-01	SPLASH GUARD I		1
2	JMDX2S-4-02	SPLASH GUARD II		1
3	JMDX2S-4-03	FILLER STRIP		1
4	GB81885-4-6	PHILLIPS HD SCREW	M4 x 6 mm	6
5	JMDX2S-4-05	DUST GUARD		1
6	JMDX2S-4-06	DEAD PLATE		1
7	GB81885-4-10	PHILLIPS HD SCREW	M4 x 10 mm	2
8	JMDX2S-4-08	RISE AND DOWN GUIDEWAY COVER		1
9	JMDX2S-4-09	MAGNET STEEL		5
10	JMDX2S-4-10	SHIELD BAFFLE		1
11	GB81985-4-10	CROSS RECESSED FLAT HD SCREW	M4 x 10 mm	3
12	JMDX2S-4-12	THE INNER SHIELD		1
13	GB83588-5-20	KNURLED SCREW	M5 x 20 mm	2
14	GB97185-5	WASHER	5	2
15	JMDX2S-4-15	OUTER PROTECTIVE COVER		1
16	GB7085-4-10	SOCKET HD SCREW	M4 x 10 mm	1
17	JMDX2S-4-17	BLOCK		1
18	JMDX2S-4-18	CONNECTING PLATE		1
19	JMDX2S-4-19	SAFETY LIMIT SWITCH		1
20	GB88986-6	HEX LOCKING NUT	M6	1
21	GB9685-6	BIG WASHER	6	1
22	JMDX2S-4-22	SUPPORT PLATE		1
23	GB7085-4-12	SOCKET HD SCREW	M4 x 12	3
24	JMDX2S-4-24	SPACER BUSH		1
25	GB81885-4-25	PHILLIPS HD SCREW	M4 x 25 mm	2
26	GB7885-4-6	SET SCREW (CONE END)	M4 x 6 mm	1
27	JMDX2S-4-27	ROTATARY SHAFT		1

PBM-1839BDV Assembly Breakdown -5



12

**PBM-1839BDV Parts List for Breakdown -5**

<b>Index No.</b>	<b>Part No.</b>	<b>Description</b>	<b>Size</b>	<b>Qty.</b>
1	JMDX2S-5-01	EMERGENCY STOP		1
2	GB84585-29-65	BUTTON HD TAP SCREW	ST2.9 x 6.5 mm	8
3	JMDX2S-5-03	TOUCH PANEL		1
4	JMDX2S-5-04	LABEL		1
5	GB84685-29-95	FLAT HD TAP SCREW	ST2.9 x 9.5 mm	4
6	PBM1839BDV-5-06	ELECTRIC BOX COVER		1
7	JMDX2S-5-07	ROTATARY SPEED DISPLAY		1
8	GB617086-4	HEX NUT	M4	7
9	PBM1839BDV-5-09	ELECTRIC BOX		1
10	JMDX2S-5-10	TUBE CONNECTOR		2
11	GB578186-4-16	HEX HD SCREW	M4 x 16 mm	3
12	JMDX2S-5-12	TUBE		1
13	JMDX2S-5-13	POWER SOCKET		1
14	GB81985-3-12	CROSS RECESSED FLAT HD SCREW	M3 x 12	2
15	GB617086-3	HEX NUT	M3	2
16	PBM1839BDV-5-16	BACK COVER		1
17	GB81985-3-6	CROSS RECESSED FLAT HD SCREW	M3 x 6 mm	10
18	PBM1839BDV-5-18	BACK COVER		1
19	GB81885-4-8	PHILLIPS HD SCREW	M4 x 8 mm	14
20	JMDX2S-5-20	PC BOARD		1
21	HTS-310-3-10	HEX END STUD (PLASTIC)	M3 x 10 mm	8
22	GB81885-5-6	PHILLIPS HD SCREW	M5 x 6 mm	4
23	JMDX2S-5-23	FILTER		1
24	GB9387-5	SPRING WASHER (STD)	.5	4
25	JMDX2S-5-25	GROUNDING BAR		1
26	JMDX2S-5-26	BLOW DUST GAUZE		1
27	GB97185-4	WASHER	.4	4
28	PBM1839BDV-5-28	UP COVER		1
29	GB97185-4	WASHER	.4	4
30	GB9387-5	SPRING WASHER (STD)	.5	4
31	PBM1839BDV-5-31	COVER		1
32	JMDX2SDRO-5-32	HEX ISOLATION COLUMN FOR DRO		3
33	PBM1839BDV-5-33	COVER		1
34	GB81985-3-6	CROSS RECESSED FLAT HD SCREW		3
35	JMDX2SDRO-5-31	SOCKET FOR DRO		1

PBM-1839BDV ACCESSORIES Parts List



Index No.	Part No.	Description	Size	Qty.
1	JMDX2S-ACCS-01	T NUT		2
2	JMDX2S-ACCS-02	DOUBLE END WRENCH (SET)	8-10, 14-17, 17-19	1
3	JMDX2S-ACCS-03	ALLEN WRENCH (SET)	3, 4, 5, 6, 8	1
4	JMDX2S-ACCS-04	L HEX WRENCH		1
5	JMDX2S-ACCS-05	SLANT WEDGE		1
6	JMDX2S-ACCS-06	FUSE	230V/8A	1
7	JMDX2S-ACCS-07	OIL CUP		1
8	PBM1839BDV-ACCS-08	CHUCK	B16	1