



IPC

Spare parts list

Ref: ASDO13293

Cust.ref: S378 NKC

Model: VACUUM CLEANER GS3/78OIL WINDLY 633 BASC

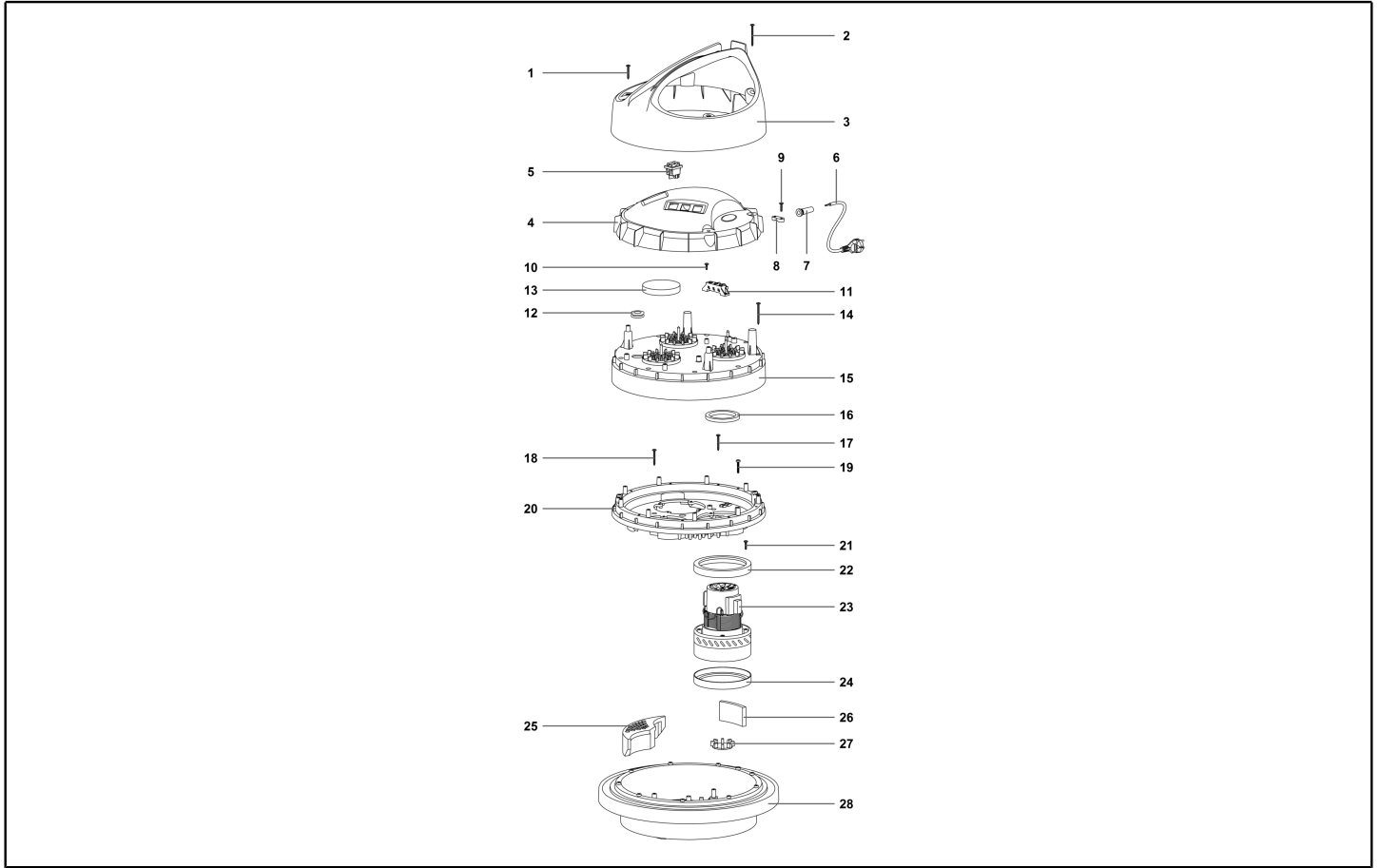
Cust.model:



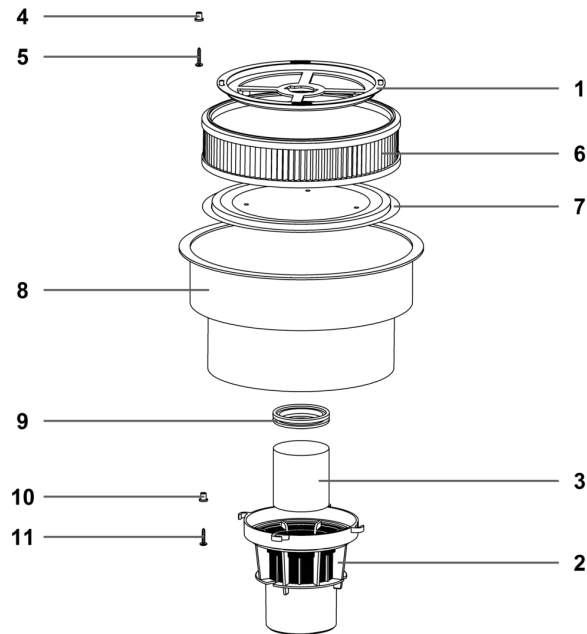
IPC Integrated Professional Cleaning

IPC Soteco

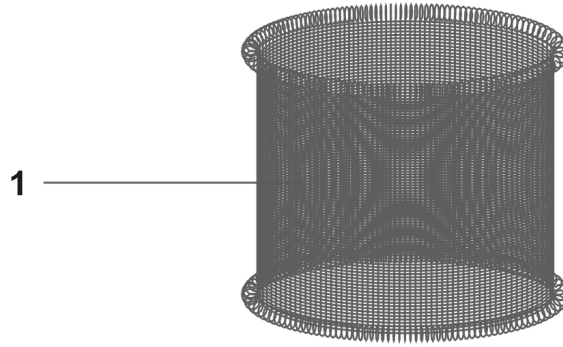
Ref. K	Part n.	Part n. 2	Description	Quantity	Validity		Price
					From	To	
0001	PMTA08735		HEAD WINDLY 633 2ST RAD. VEI/N	1,00			--
0002	KTRI04711		KIT FIL.W 600 ANTISCH. C/F OI	1,00			--
0003	FTDP28755		FILTER D.145X190	1,00			--
0004	MPVR28723		COMPL.RING FOR FILTER	1,00			--
0005	MPVR10591		RING INTERNO FUSTO 623 OIL	1,00			--
0006	SECC00116		BASKET W600 OIL COMPL.	1,00			--
0007	PMFU00187		TANK 623 B OIL	1,00			--
0008	MPVR89913		TROLLEYTIPPING TROLLEY 600	1,00			--



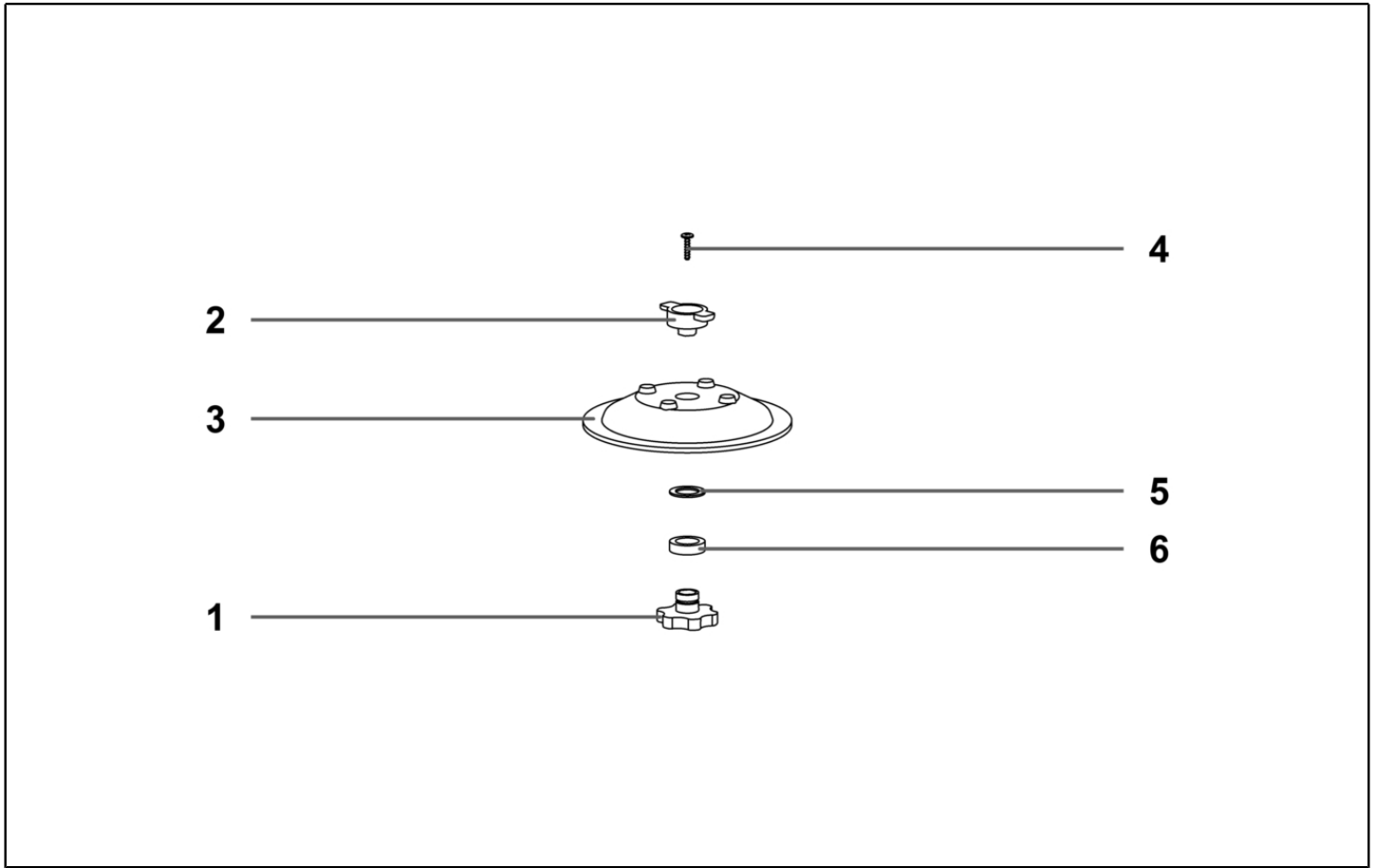
Ref. K	Part n.	Part n. 2	Description	Quantity	Validity		Price
					From	To	
*	MECB01831		ELECTR.KIT 50CM POKE-IN MOT TP 1200	3,00			--
*	FSVR00127		CLAMP	3,00			--
*	MECB35712		WIRE WITH RESISTANCE	1,00			--
0001	VTVT71971		SCREW PAT TMT PHL 5X35 BLACK	2,00			--
0002	VTVT40007		SCREW PAT TMT PHL 5X55 BLACK	2,00			--
0003	MPVR08255		BLACK HANDLE WINDLY 600	1,00			--
0004	PMVR03047		COVER WINDLY 600 GR-IPC 3INT	1,00			--
0005	MECI28744		ANTISPLASH RED LIGHT SWITCHER	3,00			--
0006	MECB31445		ELECTRIC CORD 2X1,5 MT.8,5	1,00			--
0007	MEVR28673		FAIRLEAD	1,00			--
0008	MPVR28690		CABLE CLAMP	1,00			--
0009	VTVT71961		SCREW PFU TMT PHL 5X20 ZN NERA	1,00			--
0010	VTVT71960		SCREW SCREW PAT TMT PHL 5X14 ZN	2,00			--
0011	MEVR02008		TERM.BOARD 400-600 3MOT.RAD	1,00			--
0012	MEVR72017		GUIDING SLIT FOR QUICK COUPLING	1,00			--
0013	FTDP38064		FILTER MTP/65 H=15 D.95	2,00			--
0014	VTVT40007		SCREW PAT TMT PHL 5X55 BLACK	9,00			--
0015	MPVR08519		COVERING 600 GREEN IPC	1,00			--
0016	MPVR38371		WASHER H8 D85X65	3,00			--
0017	VTVT72106		SCREW PAT TMT PHL 5X40 BLACK	9,00			--
0018	VTVT72106		SCREW PAT TMT PHL 5X40 BLACK	3,00			--
0019	VTVT01181		SCREW TC CROSS M 5X30 UNI 7687	1,00			--
0020	MPVR89502		MOTOR-FASTENER NEV.600 BLACK	1,00			--
0021	VTVT71961		SCREW PFU TMT PHL 5X20 ZN NERA	12,00			--
0022	GUGO28683		"L" GASKET W/O HOLES H=5,5	3,00			--
0023	MOMO00624		MOTOR BD382 1200W 220-240 50/60	3,00			--
0024	GUGO28683		"L" GASKET W/O HOLES H=5,5	3,00			--
0025	FTDP38057		ANTINOISE TRIANGLE H=51	3,00			--
0026	FTDP28745		GASKET MTP/30 AU-AD 50X10X85	3,00			--
0027	MPVR28748		AUTOMATIC VALVE	3,00			--
0028	MPVR28752		COMPL.BASE NEV.600 W/S.PLATE BLACK	1,00			--



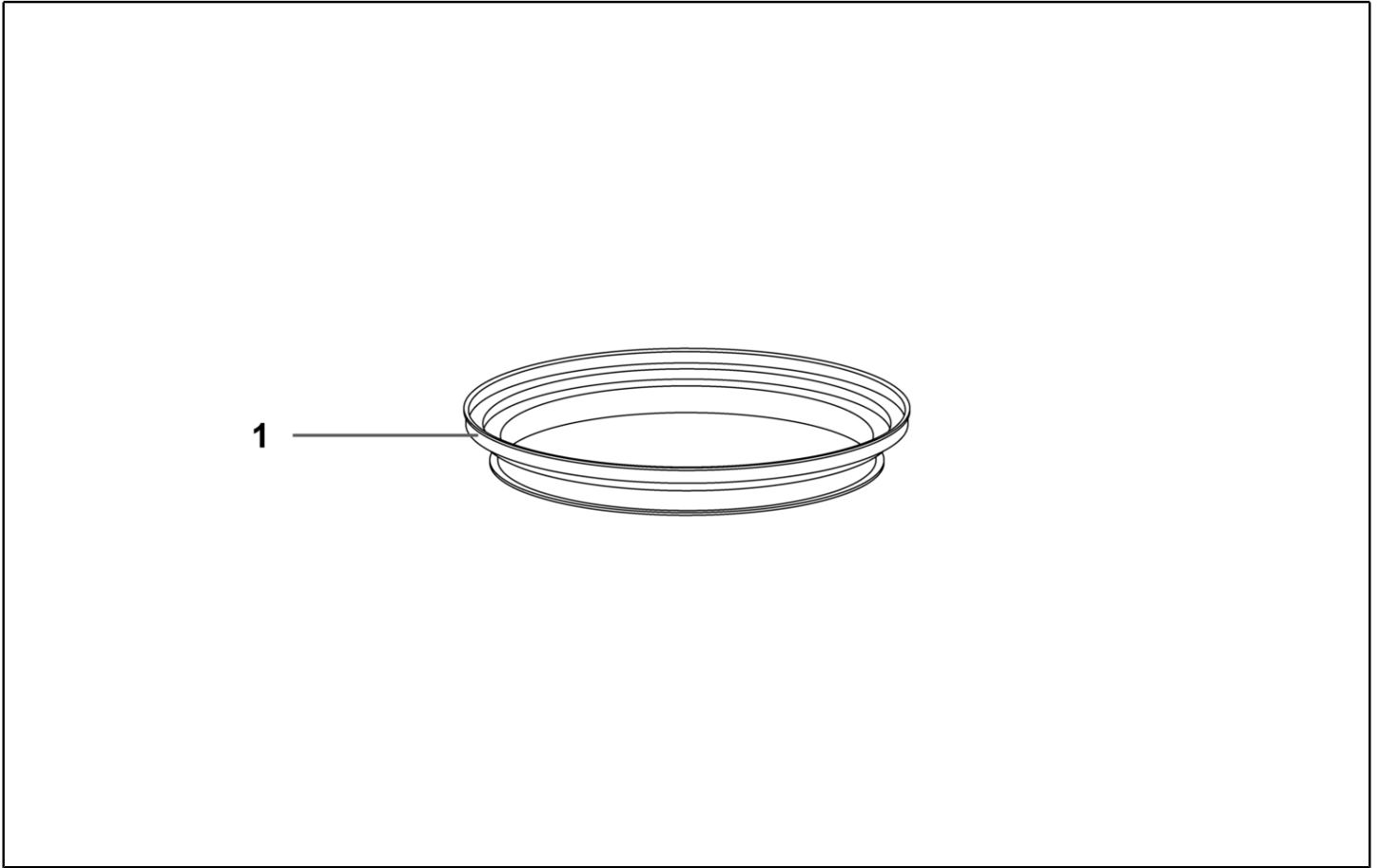
Ref. K	Part n.	Part n. 2	Description	Quantity	Validity		Price
					From	To	
0001	MPVR06906		RING BAYONET BIG CYCLON	1,00			--
0002	MPVR40521		NET ANTIFOAM BODY HIGH	1,00			--
0003	MPVR09072		FLOATER 99 HIGH W/O/GASKET	1,00			--
0004	MPVR35796		BUSHING PLASTIC SLEEVE D.8	4,00			--
0005	VTVT36751		SCREW SCREW PAT TMT PHL 5X25	4,00			--
0006	FTDP00285		POLY. CARTRIDGE 250X205X80,5 W400	1,00			--
0007	PMVR06161		FILTER BL.DISC W 400/600 COMP	1,00			--
0008	MPVR10196		CYCLONE SUPPORT BIG 600	1,00			--
0009	GUVR00450		GASKET NBR70SH SYSTEM W	1,00			--
0010	MPVR35796		BUSHING PLASTIC SLEEVE D.8	4,00			--
0011	VTVT87311		SCREW PAT TMT PHL 5X20 INOX	4,00			--



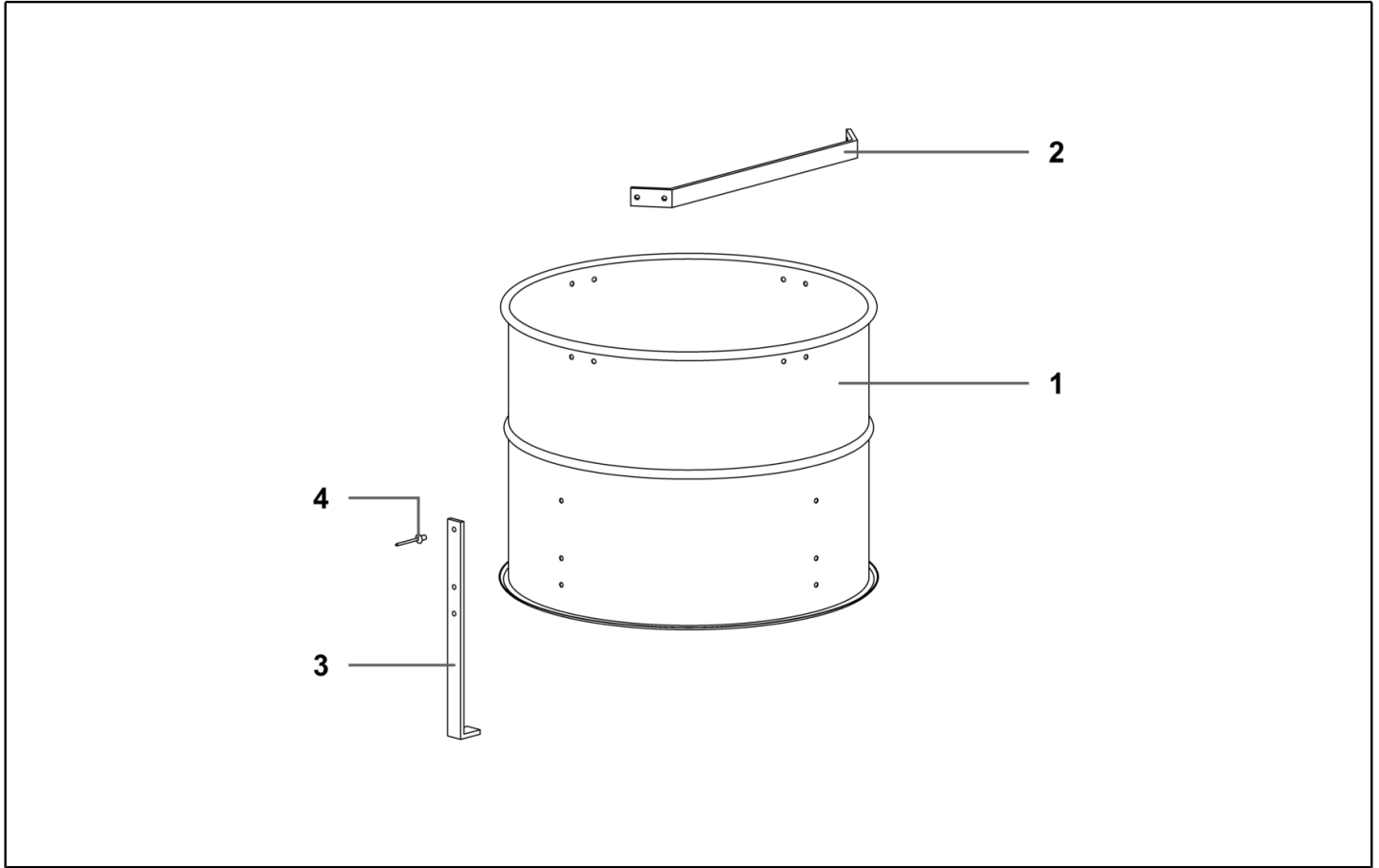
Ref. K	Part n.	Part n. 2	Description	Quantity	Validity		Price
					From	To	
0001	FTDP28755		FILTER D.145X190	1,00			--
0001	FTDP28755		FILTER D.145X190	1,00			--



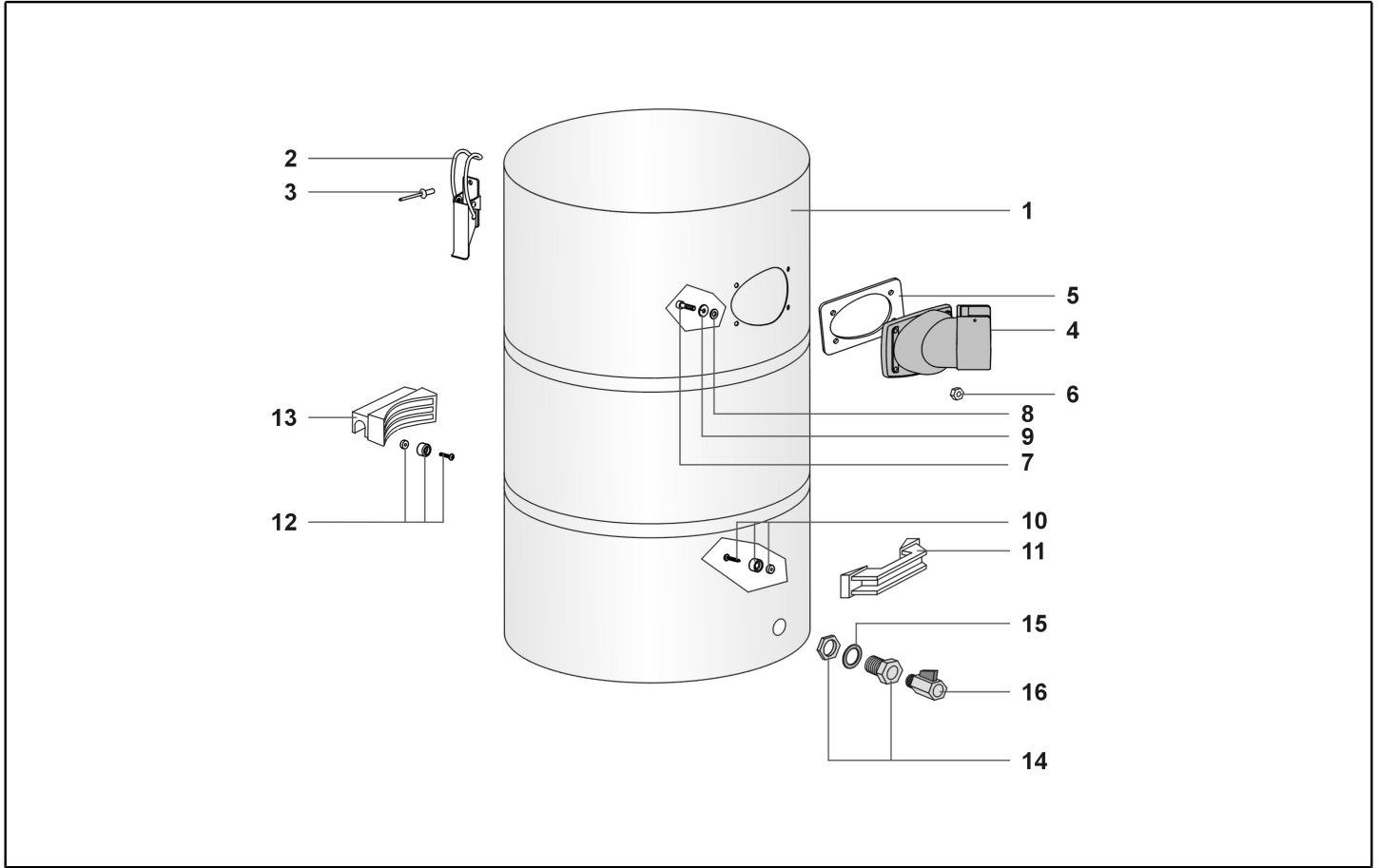
Ref. K	Part n.	Part n. 2	Description	Quantity	Validity		Price
					From	To	
0001	MPVR07254		KNOB RAPID ATTACK	1,00			--
0002	MPVR07253		HOOKING RAPID ATTACK	1,00			--
0003	MPVR06630		DISC FILTER SUPPORT	1,00			--
0004	VTVT71961		SCREW PFU TMT PHL 5X20 ZN NERA	1,00			--
0005	VTRS00418		WASHER P.P. 30X20X1,5	1,00			--
0006	VTRS00419		WASHER SPONGE RUBBER 30X20X8	1,00			--



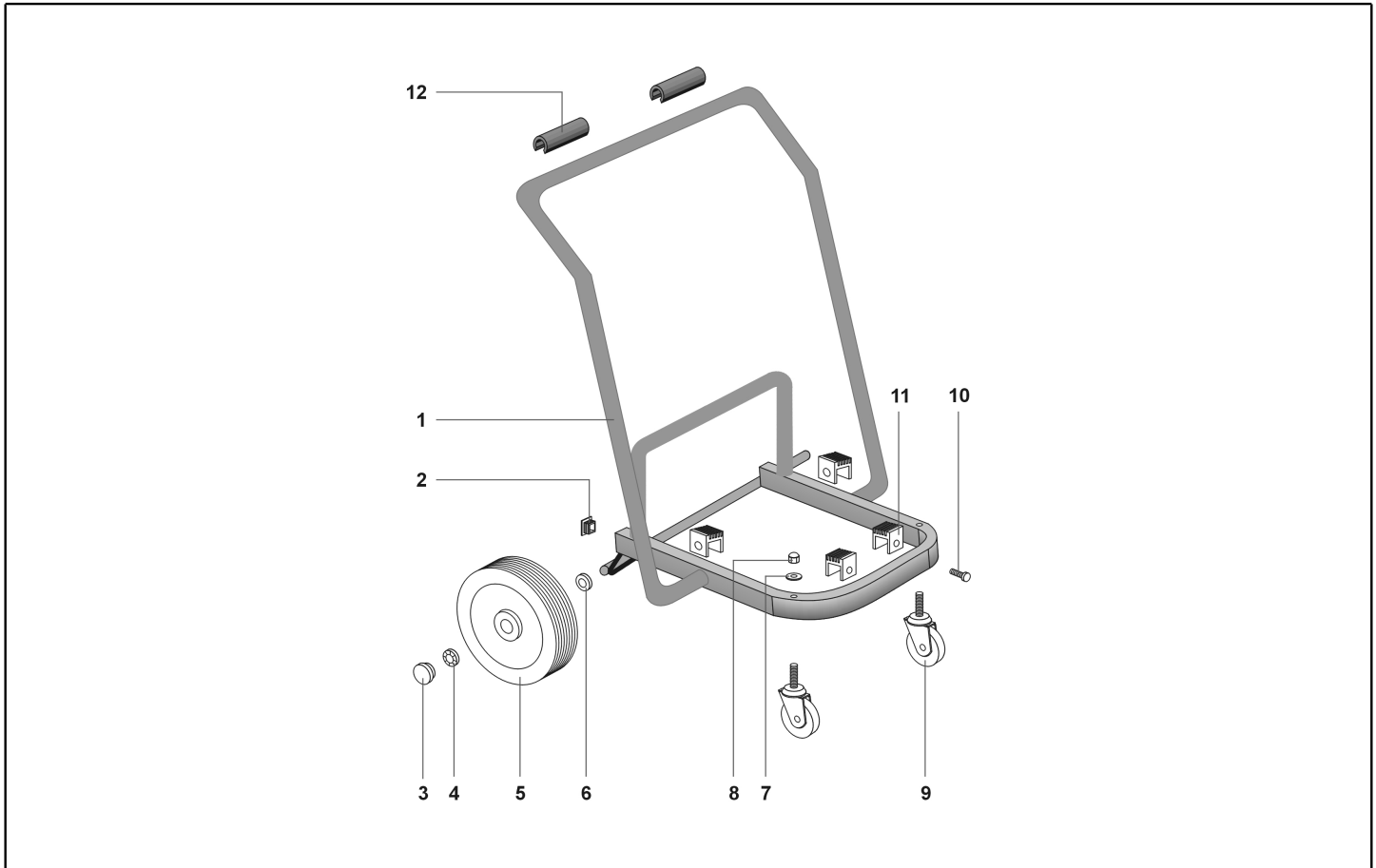
Ref. K	Part n.	Part n. 2	Description	Quantity	Validity		Price
					From	To	
0001	MPVR35495		FILTER RING 600	1,00			--



Ref. K	Part n.	Part n. 2	Description	Quantity	Validity		Price
					From	To	
0001	SECC00112		BASKET W600 OIL	1,00			--
0002	LAFN10814		HANDLE SECCHIO W600 OIL	2,00	22/12/2015		--
0003	LAFN10813		CARRYNG BAG SECCHIO W600 OIL	4,00	22/12/2015		--
0004	VTVR71991		RIVET 5X11	20,00	22/12/2015		--



Ref. K	Part n.	Part n. 2	Description	Quantity	Validity		Price
					From	To	
0001	PMFU00180		TANK 600 BASC. OIL AISI 430	1,00			--
0002	CHVR40000		UNIVERSAL METAL HOOK	2,00	19/12/2015		--
0003	VTVR71991		RIVET 5X11	4,00	19/12/2015		--
0004	MFVR00285		PIPE UNION D60 TANG. ALL. OIL COMPLE	1,00	29/01/2016		--
0005	GUVR00593		GASKET BOCCHETTONE OIL	1,00	15/04/2019		--
0006	VTDD71970		SELFLOCKING NUT M 5 HIGH DIN 982	4,00	19/12/2015		--
0007	VTVT01102		SCREW TC CROSS M 5X20 UNI 7687	4,00	15/04/2019		--
0008	VTRS00447		WASHER PVC 60SH D13.5X4.5 H=3	4,00	15/04/2019		--
0009	VTRS00389		CRICKET M 6X18X1,5 UNI 6593	4,00	15/04/2019		--
0010	RIGE00015		COMPLETE SEAL W/SCREW L=25	2,00			--
0011	MPVR28737		BLACK HANDLE	1,00			--
0012	RIGE00015		COMPLETE SEAL W/SCREW L=25	4,00			--
0013	MPVR06993		HINGE GROUP BASC COMP	1,00			--
0014	RCVRO0880		WALL MOUNTING FF3/8" M26X1,5	1,00			--
0015	VTRS00439		WASHER AL 3/4"	1,00			--
0016	VVSF00017		BALL VALVE M.F. 3/8"	1,00			--



Ref. K	Part n.	Part n. 2	Description	Quantity	Validity		Price
					From	To	
0001	LAFN10164		METALLIC STRUCT 600 BASCULANTE	1,00			--
0002	MPVR06136		PLASTIC TOP 40X20	2,00			--
0003	MPVR85070		WHEEL CAP D.200/250 BLACK	2,00			--
0004	MPVR72149		BLOC D.20	2,00			--
0005	RTRT24322		WHEEL SR 250	2,00			--
0006	VTRS00420		PLASTIC WASHER D.40X20,5X3	2,00			--
0007	VTRS71964		WASHER M 10	2,00			--
0008	VTDD72234		NUT M 10	2,00			--
0009	RTRT21167		FRONT WHEEL	2,00			--
0010	VTVT72055		SCREW PFU TMT PHL 5X25 ZN BLACK	4,00			--
0011	MPVR06691		FOOT TIPPING BEARING	4,00			--
0012	MPVR02288		PLAST.TROLLEY HANDLE	2,00			--