



Spare Parts List

ipc Div.SOTECO

Ref: ASDO13308

Cust.Ref: 4130 TFBC

Model: VACUUM CLEANER WINDLY 515 MAXIBAG C/ACC.

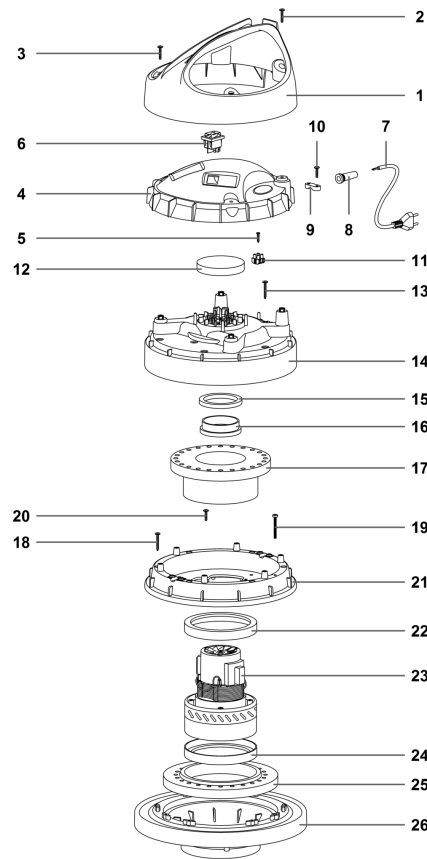
Cust.Model:



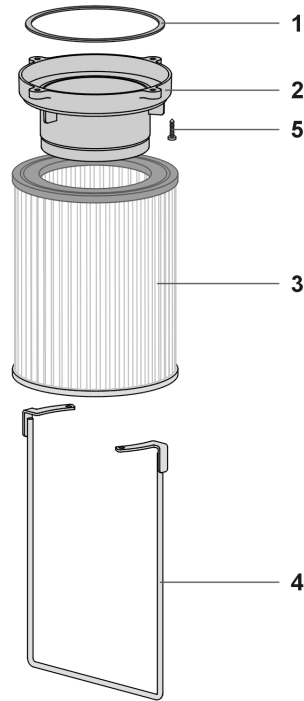
IPC Integrated Professional Cleaning

IPC Soteco

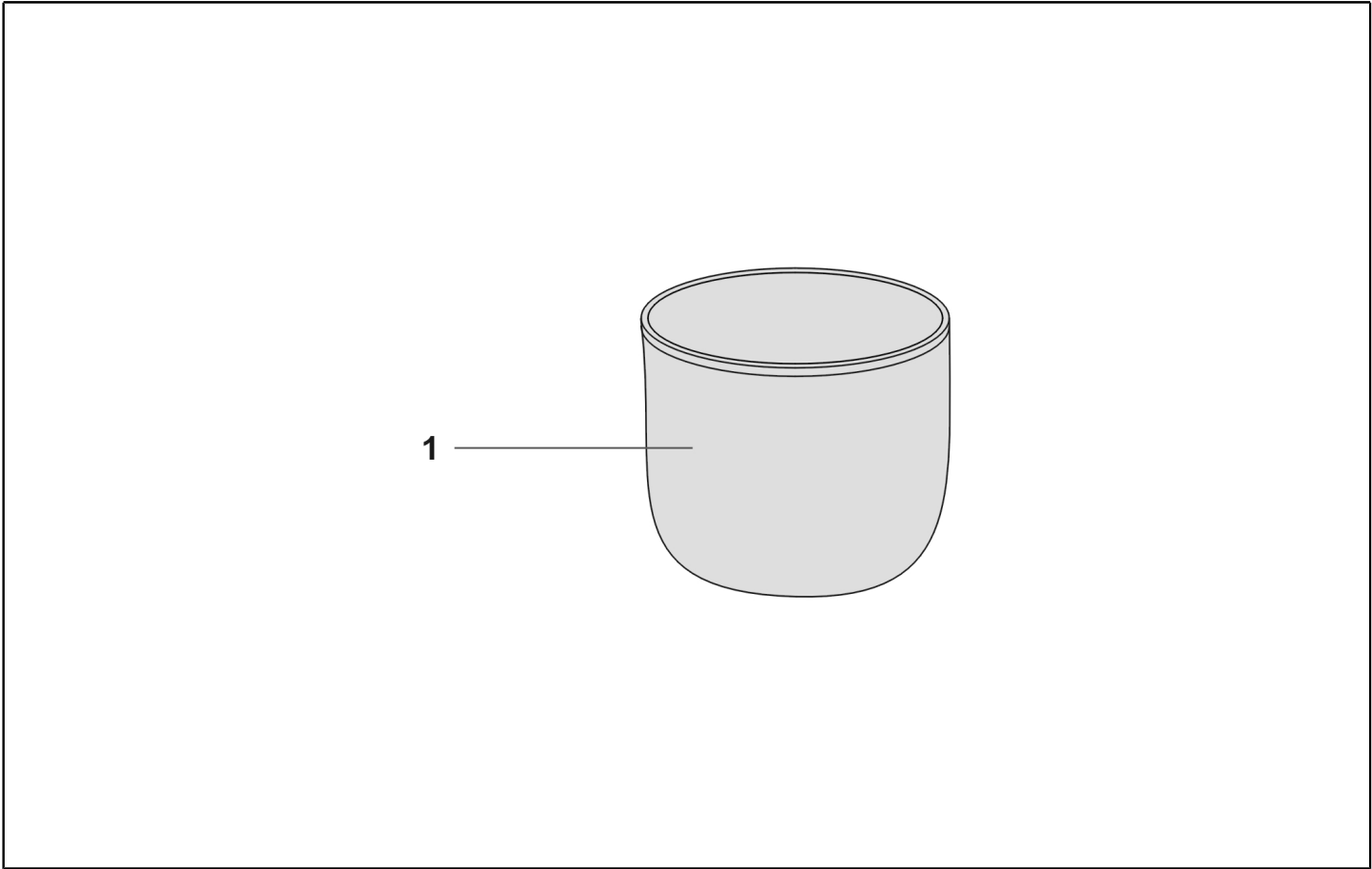
Ref. K	Part N.	Customer Part N.	Description	Quantity	Validity		Price
					From	To	
0001	PMTA08747		HEAD WINDLY 215/515 2ST P ASEV	1,00			--
0002	KTRI02724		FILTERING KIT PULSAR POLY W/STIRRUP	1,00	26/07/2017		--
0003	FTDP00222		PRE-FILTER PCB TANK 300-500 H=430	1,00			--
0004	PMFU00160		TANK MAXIBAG 500 AISI 430 COMP	1,00			--
0005	CARR01384		TROLLEY MAXIBAG 500 COMPL.	1,00			--



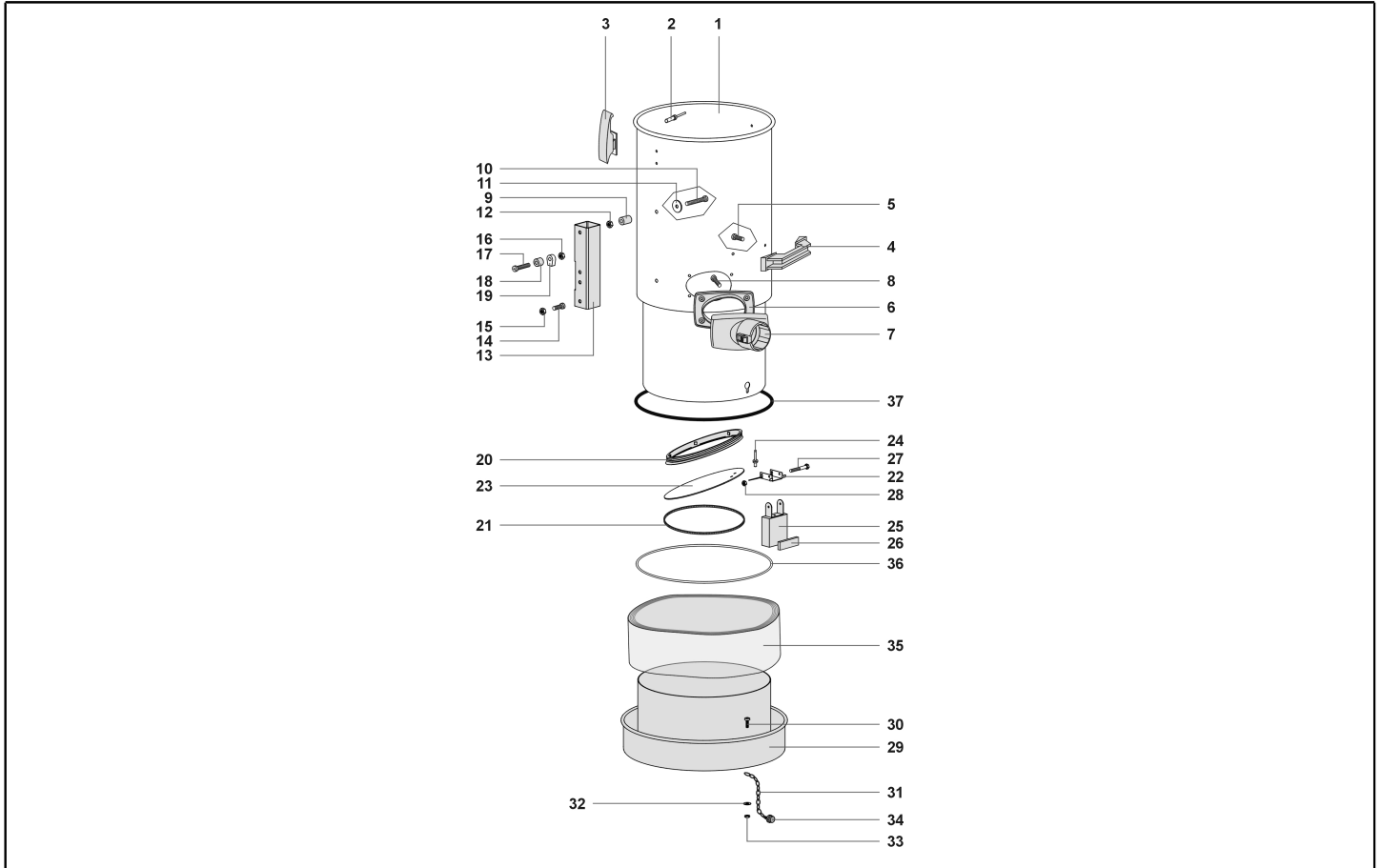
Ref. K	Part N.	Customer Part N.	Description	Quantity	Validity		Price
					From	To	
*	FSVR00127		CLAMP	1,00			--
*	MECB01828		WIRING 40CM MOTOR POKE-IN-TP	1,00			--
*	MECB35712		WIRE WITH RESISTANCE	1,00			--
0001	MPVR08242		BLACK HANDLE WINDLY 500	1,00			--
0002	VTVT72055		SCREW PFU TMT PHL 5X25 ZN BLACK	2,00			--
0003	VTVT72055		SCREW PFU TMT PHL 5X25 ZN BLACK	2,00			--
0004	MPVR08249		COVER WINDLY 500 IPC GREEN	1,00			--
0005	VTVT88715		SCREW PAT TCB 4,5X20 ZN BLACK	1,00			--
0006	MECI72195		ANTISPLASH SWITCH	1,00			--
0007	MECB48632		ELECTRIC CORD 2X1 MT.8,5 ASEV	1,00			--
0008	MEVR28673		FAIRLEAD	1,00			--
0009	MPVR28690		CABLE CLAMP	1,00			--
0010	VTVT71961		SCREW PFU TMT PHL 5X20 BLACK	1,00			--
0011	MECB01161		TERMINAL BOARD 300-500 2P RAD	1,00			--
0012	FTDP38064		FILTER MTP/65 H=15 D.95	1,00			--
0013	VTVT71971		SCREW PAT TMT PHL 5X35 BLACK	6,00			--
0014	MPVR09134		COVERING 99 S/HOLES GREEN-IPC	1,00			--
0015	MPVR38371		WASHER H8 D85X65	1,00			--
0016	MPVR86282		RING MOTORE H=7 (15) PLAST.	1,00			--
0017	FTDP38066		FILTER PHONO H=75	1,00			--
0018	VTVT71971		SCREW PAT TMT PHL 5X35 BLACK	6,00			--
0019	VTVT01272		SCREW TC CROSS M 5X45 UNI 7687	1,00			--
0020	VTVT71961		SCREW PFU TMT PHL 5X20 BLACK	4,00			--
0021	MPVR08419		MOTOR SUPPORT 500 BLACK	1,00			--
0022	GUGO28683		"L" GASKET W/O HOLES H=5,5	1,00			--
0023	MOMO28716		MOT.BD302 1000W 220-240V 50-60HZ	1,00			--
0024	GUGO28683		"L" GASKET W/O HOLES H=5,5	1,00			--
0025	FTDP38067		WASHER MTP 65MM 18D 230X145	1,00			--
0026	MPVR38068		BASE 500 W/GASKET & ST.PLATE BLACK	1,00			--



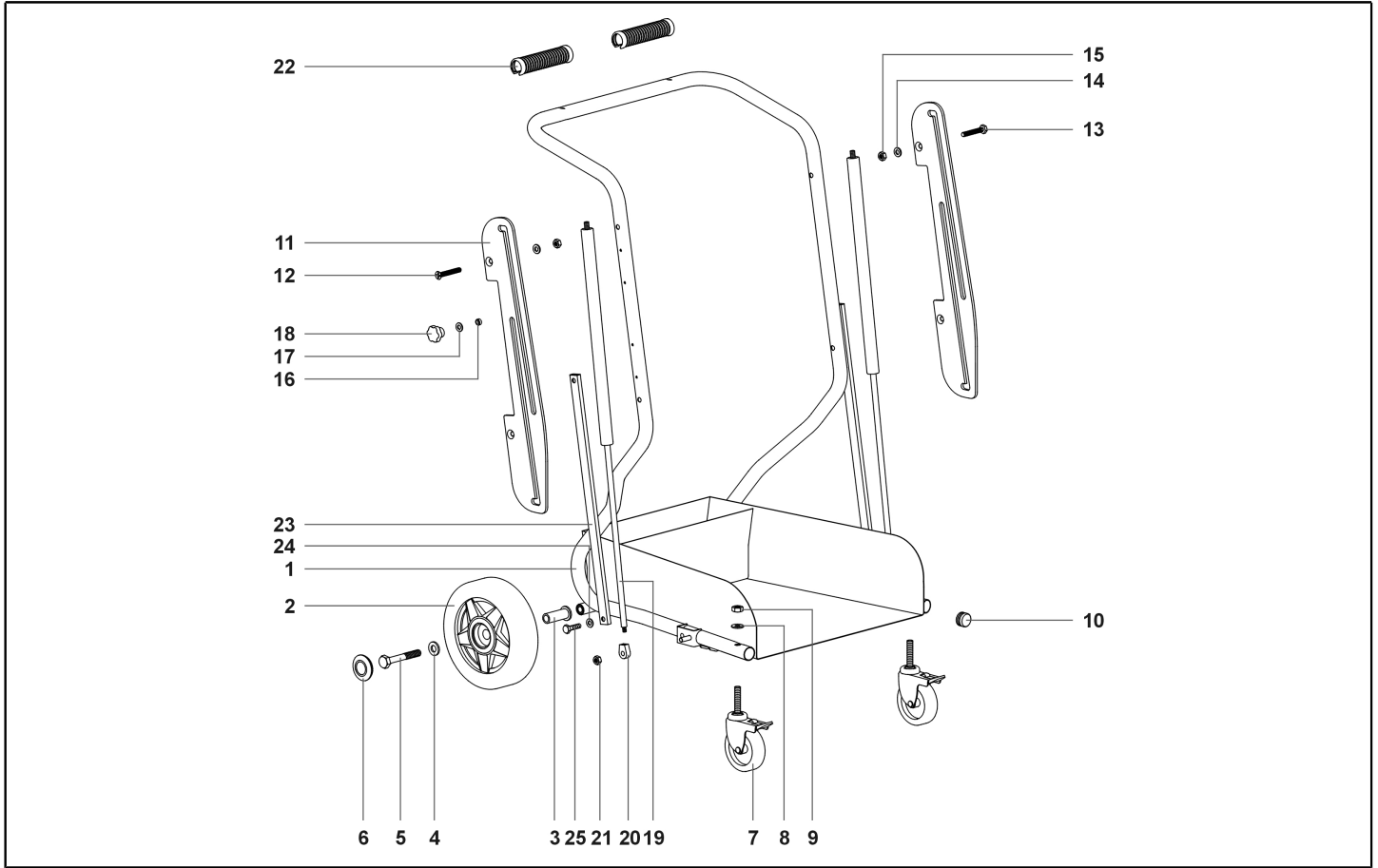
Ref. K	Part N.	Customer Part N.	Description	Quantity	Validity		Price
					From	To	
0001	GUVR40078		GASKET H3 DS50 W/ANTIFOAM BODY	1,00			--
0002	MPVR10272		CARTRIDGE HOLD. .	1,00			--
0003	FTDP00489		CARTRIDGE POLY 175X118X250 C1FC M43	1,00			--
0004	LAFN08683		BRACKET BLOC FIL CLASS H	1,00			--
0005	VTVT71961		SCREW PFU TMT PHL 5X20 BLACK	4,00	23/12/2016		--



Ref. K	Part N.	Customer Part N.	Description	Quantity	Validity		Price
					From	To	
0001	FTDP00222		PRE-FILTER PCB TANK 300-500 H=430	1,00			--
0001	FTDP00222		PRE-FILTER PCB TANK 300-500 H=430	1,00			--



Ref. K	Part N.	Customer Part N.	Description	Quantity	Validity		Price
					From	To	
0001	PMFU00157		TANK 500 WITH CONE MAXIBAG	1,00			--
0002	VTVR71991		RIVET 5X11	4,00			--
0003	CHVR28735		COMPLETE PLASTIC HOOK BLACK	2,00			--
0004	MPVR28737		BLACK HANDLE	1,00			--
0005	VTVT71960		SCREW PAT TMT PHL 5X14 ZN BLACK	2,00			--
0006	MPVR07323		GASKET PIPE UNION TANG. R205	1,00			--
0007	MPVR10409		PIPE UNION TANG. COND. W/BUT.RN	1,00			--
0008	VTVT72055		SCREW PFU TMT PHL 5X25 ZN BLACK	4,00			--
0009	MPVR07328		SPACER D18 D8,2 L25	8,00			--
0010	VTVT01275		ALLEN SCREW TBEI M8X60ZB UNI7380	4,00			--
0011	VTVR72041		WASHER 8X32 UNI6593	4,00			--
0012	VTDD71968		NUT M 8 UNI 5588	4,00			--
0013	LAFN09462		TANK BRACKET MAXIBAG	2,00			--
0014	VTVT01028		SCREW TE M 8X25 UNI 5739	4,00			--
0015	VTDD71968		NUT M 8 UNI 5588	4,00			--
0016	VTDD00225		SELF-LOCJ.NUT M 8 SMALL UNI 7474	2,00			--
0017	VTVT01017		SCREW TE M 8X40 UNI 5739	2,00			--
0018	MPVR07327		SPACER D18 D8,2 L15	2,00			--
0019	VTVR00377		EYELET 8,1-10X16 M8 ZB	2,00			--
0020	MPVR07325		BLACK GASKET CONE MAXIBAG	1,00			--
0021	FSVR00152		CLAMP 370X3,6	2,00			--
0022	LAFN09459		SUPPORT VALVE MAXIBAG	1,00			--
0023	LAFN09460		PLATE VALVE MAXIBAG	1,00			--
0024	VTVR71991		RIVET 5X11	2,00			--
0025	LAFN09461		COUNTERWEIGHT MAXIBAG VALVE	1,00			--
0026	FTDP28679		FILTER MTP/30 30X10X900	0,07			--
0027	VTVT01280		SCREW M4X50	2,00			--
0028	VTDD00256		SELF-LOCKING NUT M4 LOW	2,00			--
0029	PMFU02013		SUPPORT LONGOPAC MAXIBAG COMP.	1,00			--
0030	VTVT01095		SCREW TC CROSS M 4X12 UNI 7687	1,00			--
0031	PVVR00131		GENOVESE CHAIN GALV.N°14	0,18			--
0032	VTRS00397		WASHER M 5-5,3 D.E 11,5	1,00			--
0033	VTDD00256		SELF-LOCKING NUT M4 LOW	1,00			--
0034	LAFN09545		PIN OF STILL SUPPORT MAXIBAG	1,00			--
0035	MISC00025		BAG SPA. LONGPAC W/CLAMP	1,00			--
0036	CNPR00416		ELASTIC FOR MAXIBAG SUPPORT	1,00			--
0037	GUVR00531		WIRE COVER TANK MAXIBAG 500	1,00			--



Ref. K	Part N.	Customer Part N.	Description	Quantity	Validity		Price
					From	To	
0001	LAFN09903		STRUCTURE MAXIBAG	1,00			--
0002	RTRT85069		REAR WHEEL D.200	2,00			--
0003	MPVR02244		BUSH FOR REAR WHEEL	2,00			--
0004	VTRS00394		WASHER M 12 UNI 6592	2,00			--
0005	VTVT01273		SCREW TE M12X85 ZB UNI 5739	2,00			--
0006	MPVR85070		WHEEL CAP D.200/250 BLACK	2,00			--
0007	RTRT00481		TURNING WHEEL D.80 GRI.M10X47 W/BRAKE	2,00			--
0008	VTRS71964		WASHER M 10	2,00			--
0009	VTDD00246		SELF-LOCJ.NUT M10 SMALL UNI7474	2,00			--
0010	MPVR07329		PLASTIC TOP X TUBE D.25	2,00			--
0011	LAFN09458		PLATE SCROLLING MAXIBAG 500	2,00			--
0012	VTVT01276		SCREW TSPEI M8X50 ZB UNI5933	2,00			--
0013	VTVT01226		SCREW TE M 8X50 Z.B UNI 5737	2,00			--
0014	VTRS00396		WASHER M 8 UNI 6592	4,00			--
0015	VTDD71968		NUT M 8 UNI 5588	4,00			--
0016	RCDS00102		BUSHING SCROLLING MAXIBAG	4,00			--
0017	VTVR71963		WASHER 8X24	8,00			--
0018	VTVR72067		HAND WHEEL M 8 VB/30	4,00			--
0019	MLML00396		GAS SPRING 10-22 100N L760 C350	2,00			--
0020	VTVR00377		EYELET 8,1-10X16 M8 ZB	2,00			--
0021	VTDD00225		SELF-LOCJ.NUT M 8 SMALL UNI 7474	2,00			--
0022	MPVR02288		PLAST.TROLLEY HANDLE	2,00			--
0023	LAFN09465		STRUT MAXIBAG STRUCTURE	2,00			--
0024	VTVR71963		WASHER 8X24	2,00			--
0025	VTVT01087		SCREW TE M 8X20 UNI 5739	2,00			--



Ref. K	Part N.	Customer Part N.	Description	Quantity	Validity		Price
					From	To	
0001	GUVR40078		GASKET H3 DS50 W/ANTIFOAM BODY	1,00			--
0001	GUVR40078		GASKET H3 DS50 W/ANTIFOAM BODY	1,00			--