



**IPC**

**Spare parts list**

Ref: ASDO13303

Cust.ref: 4362 NTFC

Model: VACUUM CLEANER WS3/62W&D WINDLY 440M HP

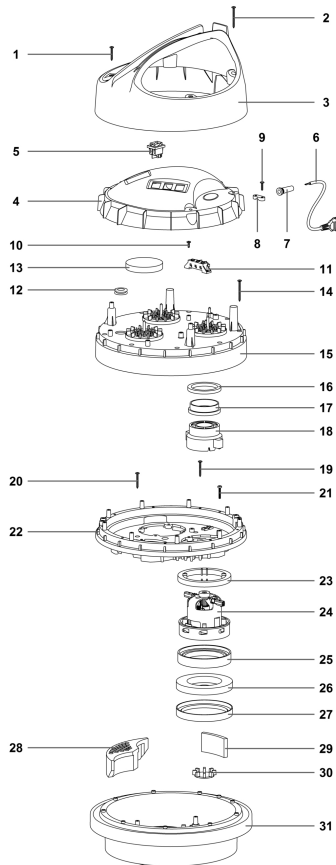
Cust.model:



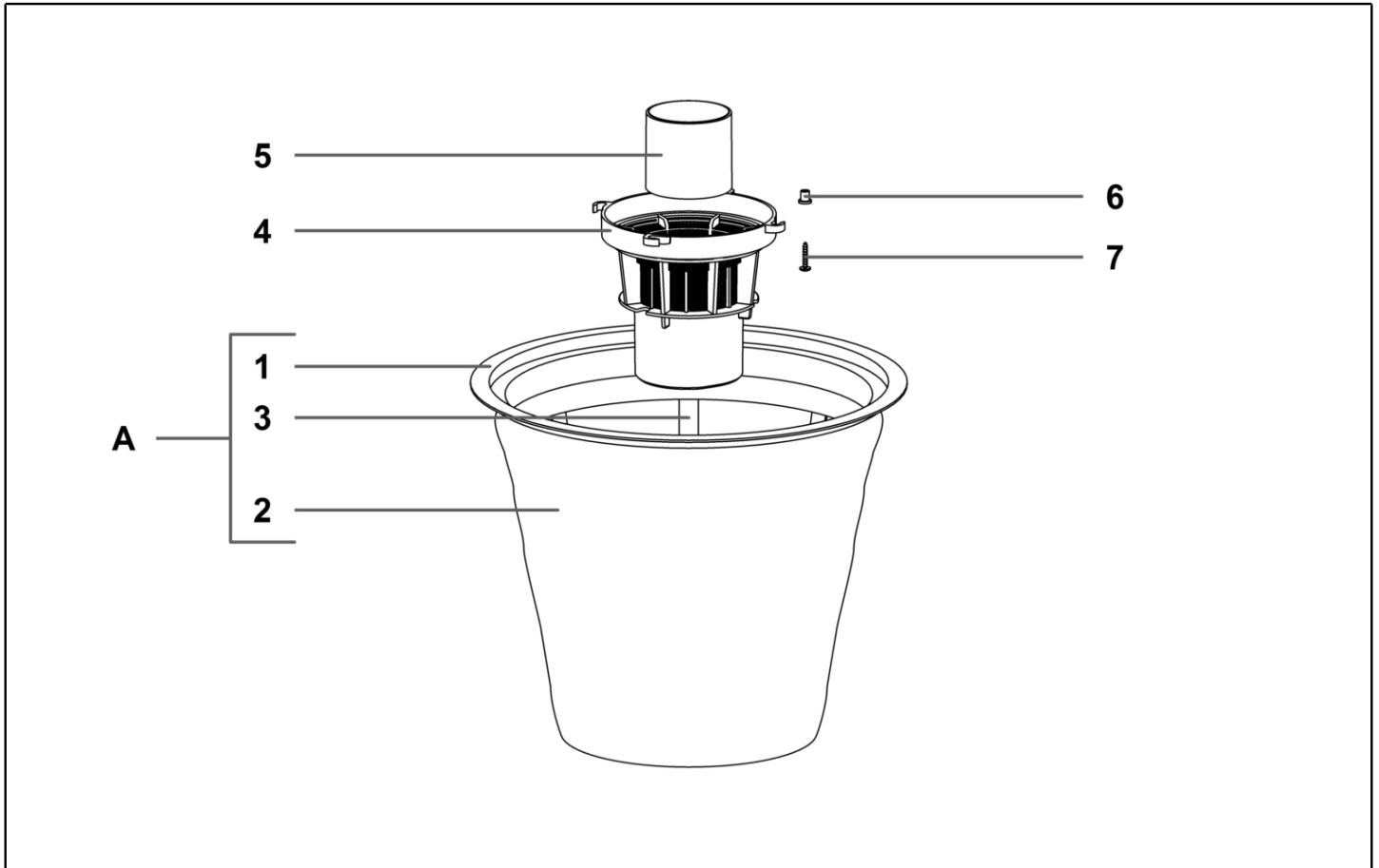
IPC Integrated Professional Cleaning

**IPC Soteco**

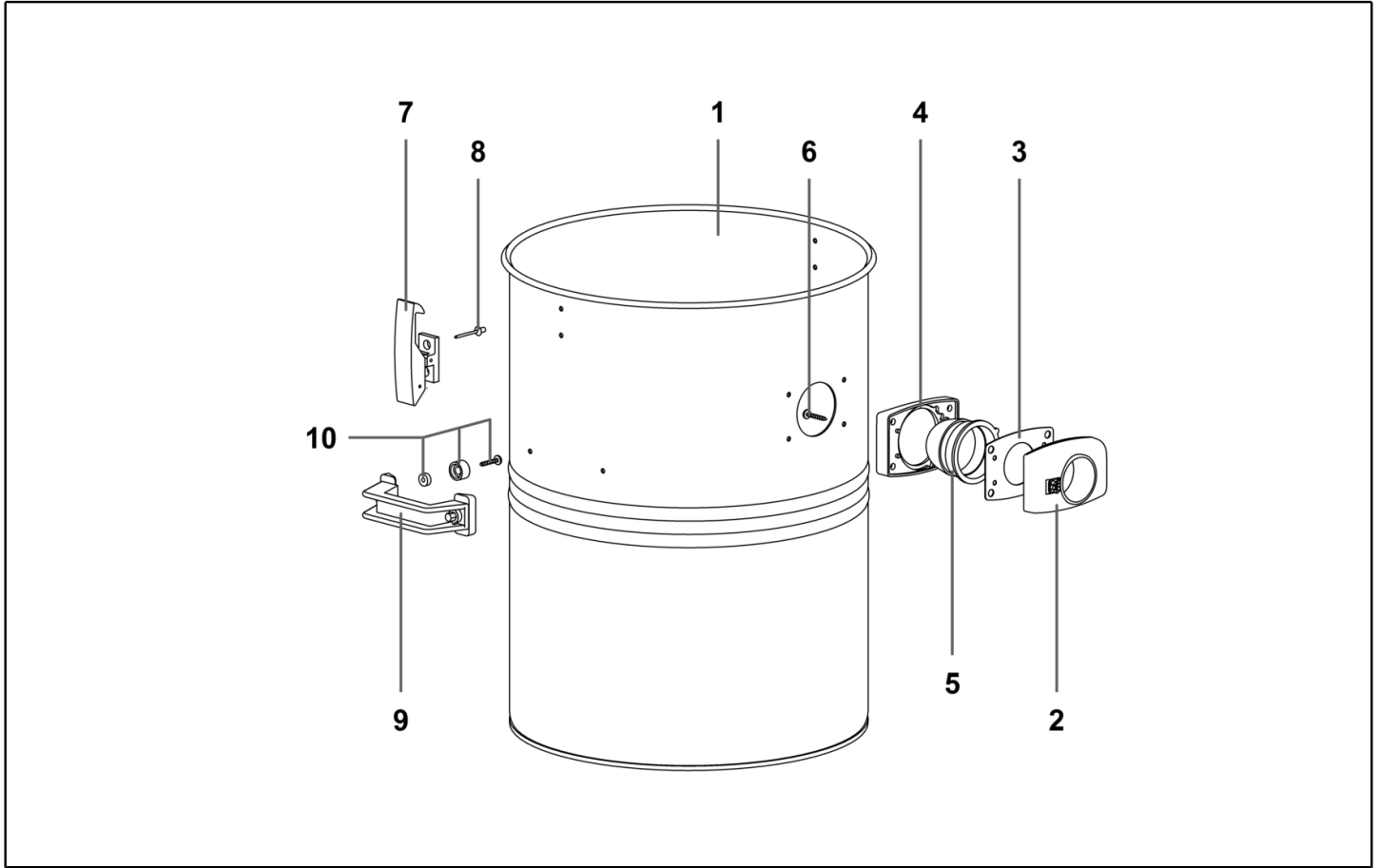
Ref. K	Part n.	Part n. 2	Description	Quantity	Validity		Price
					From	To	
0001	PMTA08745		VACUUM HEAD WINDLY 440 HP C/P NE/VEI	1,00			--
0002	KTRI72229		COMPL.FILTRATION KIT 400	1,00			--
0003	PMFU02537		DRUM 400 A430 R NE/VEI SCA COM	1,00			--
0004	KTRI40132		DRAIN DEVICE D.34 COMP MARK	1,00			--
0005	CARR01429		TROLLEY BASE MARKET FOR SPACER	1,00			--



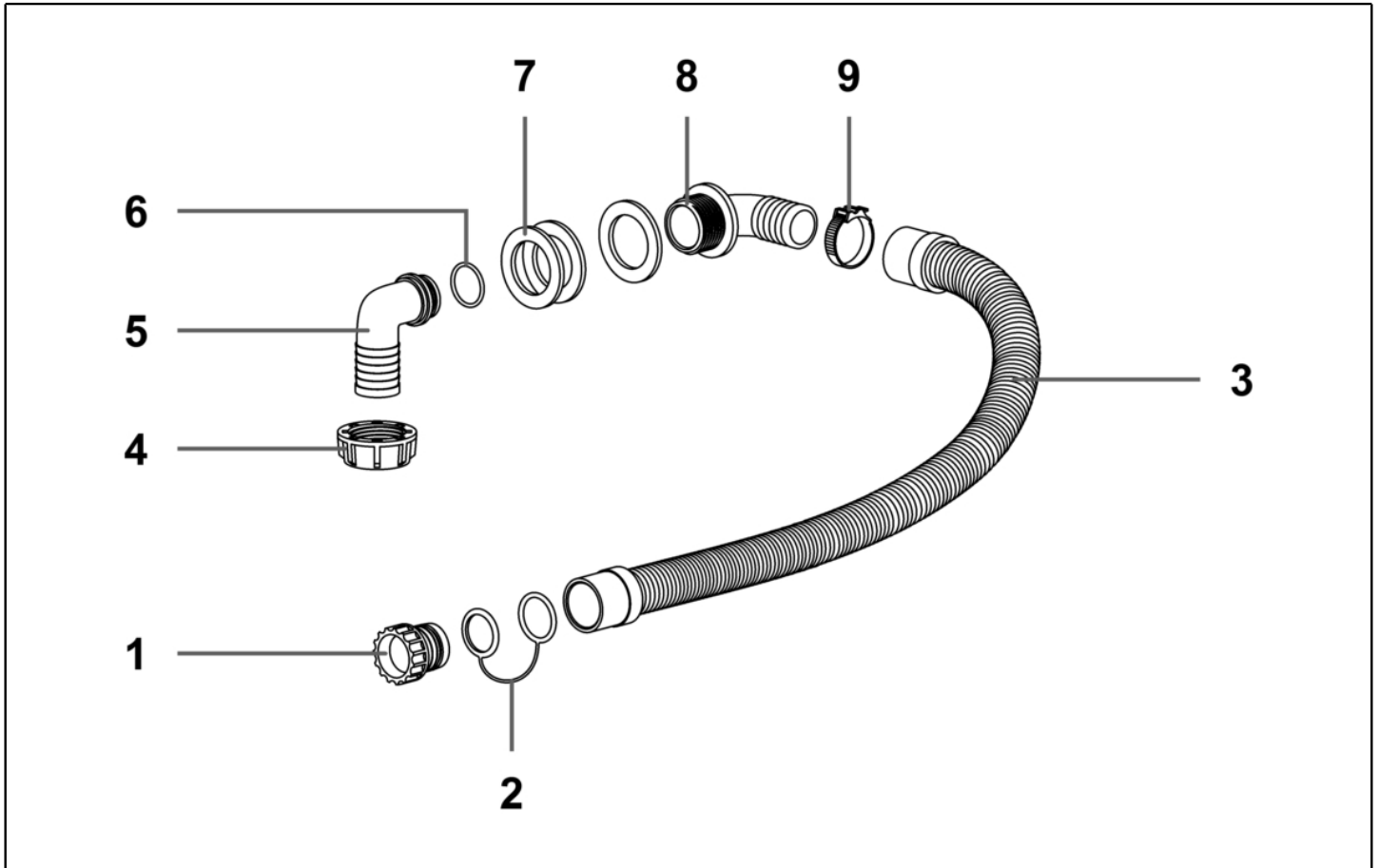
Ref. K	Part n.	Part n. 2	Description	Quantity	Validity		Price
					From	To	
*	MECB01817		WIRING 50CM MOTOR-TP	3,00			--
*	FSVR00127		CLAMP	4,00			--
*	MECB35712		WIRE WITH RESISTANCE	1,00			--
0001	VTVT71971		SCREW PAT TMT PHL 5X35 BLACK	2,00			--
0002	VTVT40007		SCREW PAT TMT PHL 5X55 BLACK	2,00			--
0003	MPVR08255		BLACK HANDLE WINDLY 600	1,00			--
0004	MPVR08265		COVER WINDLY 600 GREE-IPC	1,00			--
0005	MECI28744		ANTISPLASH RED LIGHT SWITCHER	3,00			--
0006	MECB31445		ELECTRIC CORD 2X1,5 MT.8,5	1,00			--
0007	MEVR28673		FAIRLEAD	1,00			--
0008	MPVR28690		CABLE CLAMP	1,00			--
0009	VTVT71961		SCREW PFU TMT PHL 5X20 ZN NERA	1,00			--
0010	VTVT71960		SCREW SCREW PAT TMT PHL 5X14 ZN	2,00			--
0011	MEVR02008		TERM.BOARD 400-600 3MOT.RAD	1,00			--
0012	MEVR72017		GUIDING SLIT FOR QUICK COUPLING	1,00			--
0013	FTDP38064		FILTER MTP/65 H=15 D.95	3,00			--
0014	VTVT40007		SCREW PAT TMT PHL 5X55 BLACK	9,00			--
0015	MPVR08519		COVERING 600 GREEN IPC	1,00			--
0016	MPVR38371		WASHER H8 D85X65	3,00			--
0017	MPVR86282		RING MOTORE H=7 (15) PLAST.	3,00			--
0018	MPVR08115		CAP /ADAPTER F/MOT.BYPASS AU	3,00			--
0019	VTVT72106		SCREW PAT TMT PHL 5X40 BLACK	9,00			--
0020	VTVT72106		SCREW PAT TMT PHL 5X40 BLACK	3,00			--
0021	VTVT01181		SCREW TC CROSS M 5X30 UNI 7687	1,00			--
0022	MPVR08329		MOTOR SUPPORT HS 600 BLACK	1,00			--
0023	GUVR00413		"C" GASKET D.130	3,00			--
0024	MOMO00402		MOTOR BS282 WL 1000W 220-240	3,00			--
0025	GUVR00412		"L" GASKET D.130 H=13	3,00			--
0026	MPVR06896		STAGE DUMMY H=20MM	3,00			--
0027	GUVR00388		"L" GASKET S/F H=8	3,00			--
0028	FTDP38057		ANTINOISE TRIANGLE H=51	3,00			--
0029	FTDP28745		GASKET MTP/30 AU-AD 50X10X85	3,00			--
0030	MPVR28748		AUTOMATIC VALVE	3,00			--
0031	MPVR38059		BASE 600/400 W/STAT.PLATE BLACK	1,00			--



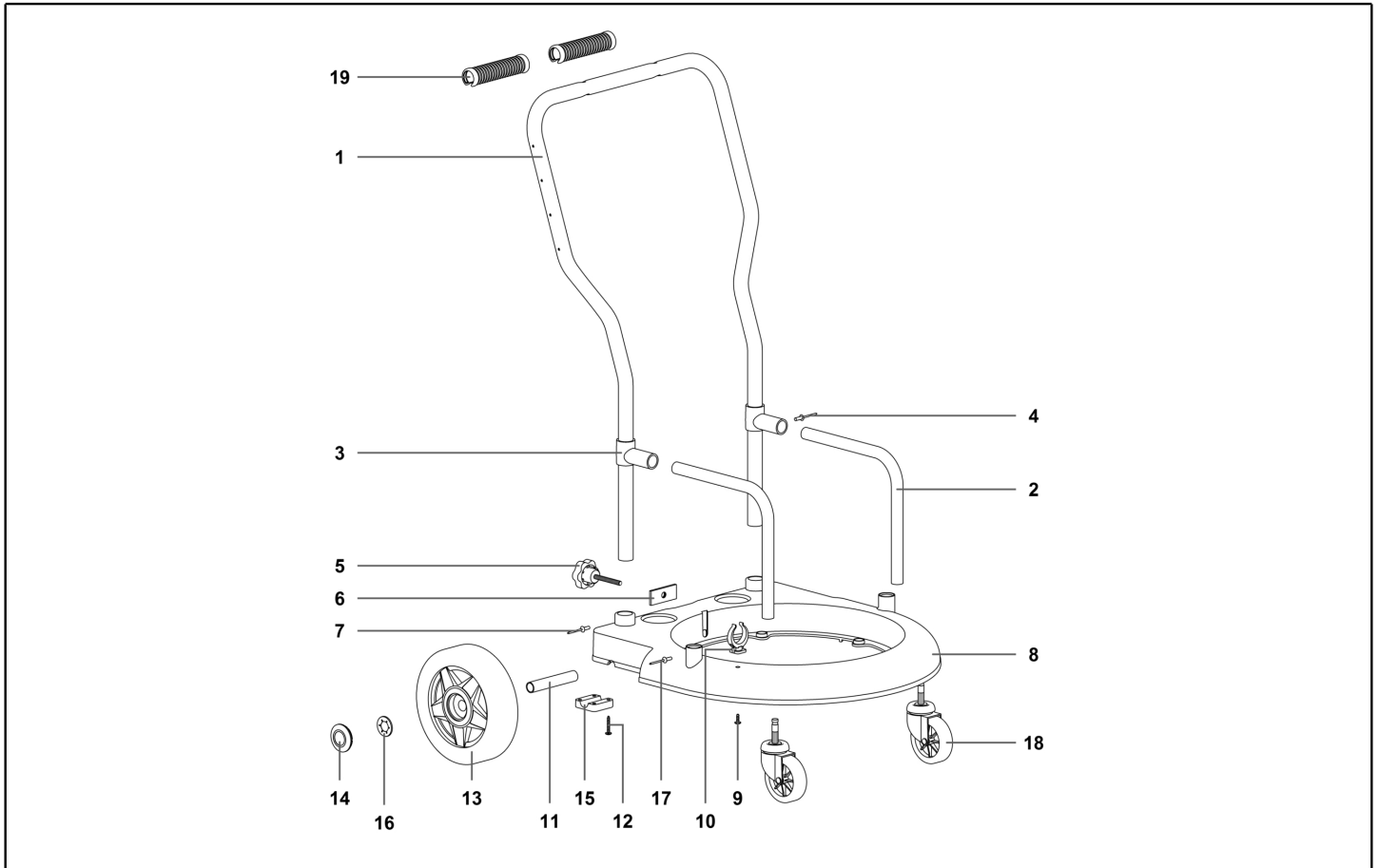
Ref. K	Part n.	Part n. 2	Description	Quantity	Validity		Price
					From	To	
A	FTDP28733		KIT RING+FILT+BASK.400 CONIC.SAN	1,00			--
0001	MPVR35807		FILTER RING 400	1,00			--
0002	FTDP00523		FILTER POLY AN4-600 CON REG H320	1,00			--
0003	MPVR09199		CONICAL BASKET 400	1,00			--
0004	MPVR40521		NET ANTIFOAM BODY HIGH	1,00			--
0005	RCGR40008		HIGH FLOAT 99 W/GASKET 37 SHA	1,00			--
0006	MPVR35796		BUSHING PLASTIC SLEEVE D.8	4,00			--
0007	VTVT36751		SCREW SCREW PAT TMT PHL 5X25	4,00			--



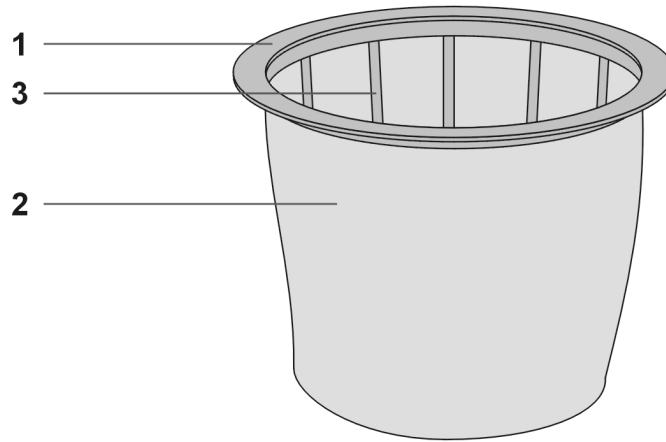
Ref. K	Part n.	Part n. 2	Description	Quantity	Validity		Price
					From	To	
0001	LAFN09703		TANK 400 AISI 430 + DRAIN	1,00			--
0002	MPVR09047		PIPE UNION R155 BLACK C/PUL.GR-IPC	1,00			--
0003	GUGO28701		GASKET D.38	1,00			--
0004	GUGO28736		GASKET R 205 BLACK	1,00			--
0005	MPVR28696		DEFLECTOR 99	1,00			--
0006	VTVT71966		SCREW PAT TMT PHL 5X30 BLACK	4,00			--
0007	CHVR28735		COMPLETE PLASTIC HOOK BLACK	2,00			--
0008	VTVR71991		RIVET 5X11	4,00			--
0009	MPVR28737		BLACK HANDLE	2,00			--
0010	RIGE00015		COMPLETE SEAL W/SCREW L=25	4,00			--



Ref. K	Part n.	Part n. 2	Description	Quantity	Validity		Price
					From	To	
0001	MPVR10436		PLASTIC TOP D.40 X 35 C/OR COMPL.	1,00			--
0002	MPVR41222		TIE ROD CAP	1,00			--
0003	TBFX41220		DRAIN TUBE D.34 L=600	1,00			--
0004	RCVR00341		CONNECTION 1-1/4"	1,00			--
0005	RCVR00756		CONNECTOR -	1,00			--
0006	GUGO00345		O-RING 28 X 2,5 NBR	1,00			--
0007	GUGO41219		GASKET 60X40X4	3,00			--
0008	RCVR41224		RUBBER HOLDER UNION CURVED 90°1-1/4	1,00			--
0009	FSVR00074		CLIP 300X9	1,00			--



Ref. K	Part n.	Part n. 2	Description	Quantity	Validity		Price
					From	To	
0001	LAFN09734		HANDLE MARKET 400 BLACK	1,00			--
0002	MPVR02240		VARNISHED SUPPORT TUBE	2,00			--
0003	LAFN03247		HOSE T ST.MKT	2,00			--
0004	VTVR00396		RIVET 4,8X17 BLACK	2,00			--
0005	VTVR00162		HAND-WHEEL M 8X60	1,00			--
0006	LAFN06613		PLATE LOCKING THREADED	1,00			--
0007	VTVR00396		RIVET 4,8X17 BLACK	2,00			--
0008	MPVR08479		TROLLEY BODY 400 MARKET B	1,00			--
0009	VTVT71960		SCREW SCREW PAT TMT PHL 5X14 ZN	1,00			--
0010	FsvR41221		LIRA CLAMP D.34	1,00			--
0011	LAFN09549		WHEEL PIN D.18X105 SP.1.5 ZN	2,00			--
0012	VTVT71966		SCREW PAT TMT PHL 5X30 BLACK	8,00			--
0013	RTRT85069		REAR WHEEL D.200	2,00			--
0014	MPVR85070		WHEEL CAP D.200/250 BLACK	2,00			--
0015	MPVR28774		LOCK PIVOT BRACKET	2,00			--
0016	MPVR86321		BLOC. D.18	2,00			--
0017	VTVR00396		RIVET 4,8X17 BLACK	2,00			--
0018	RTRT40020		FRONT WHEEL D.80 W/PIVOT	2,00			--
0019	MPVR02288		PLAST.TROLLEY HANDLE	2,00			--



Ref. K	Part n.	Part n. 2	Description	Quantity	Validity		Price
					From	To	
0001	MPVR35807		FILTER RING 400	1,00			--
0002	FTDP00523		FILTER POLY AN4-600 CON REG H320	1,00			--
0003	MPVR09199		CONICAL BASKET 400	1,00			--