



**IPC**

**Spare parts list**

Ref: ASDO13302

Cust.ref: 4378 NTKC

Model: VACUUM CLEANER WS3/78W&D WINDLY 640B HP

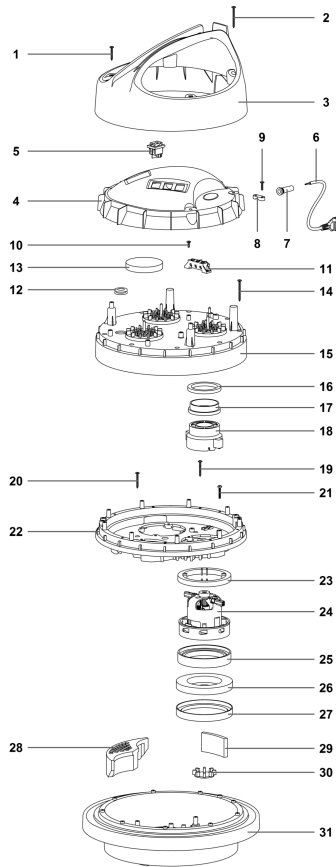
Cust.model:



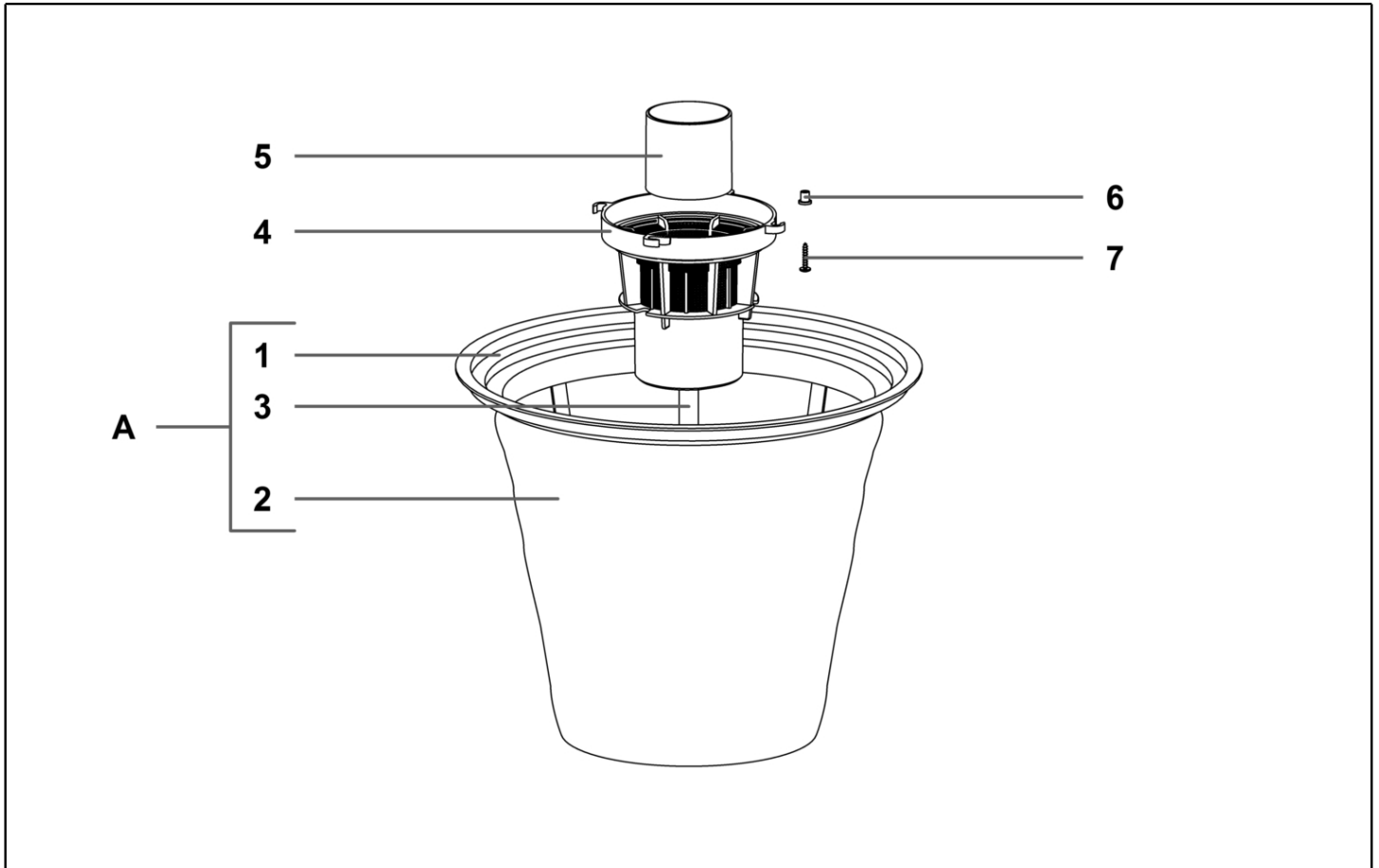
IPC Integrated Professional Cleaning

**IPC Soteco**

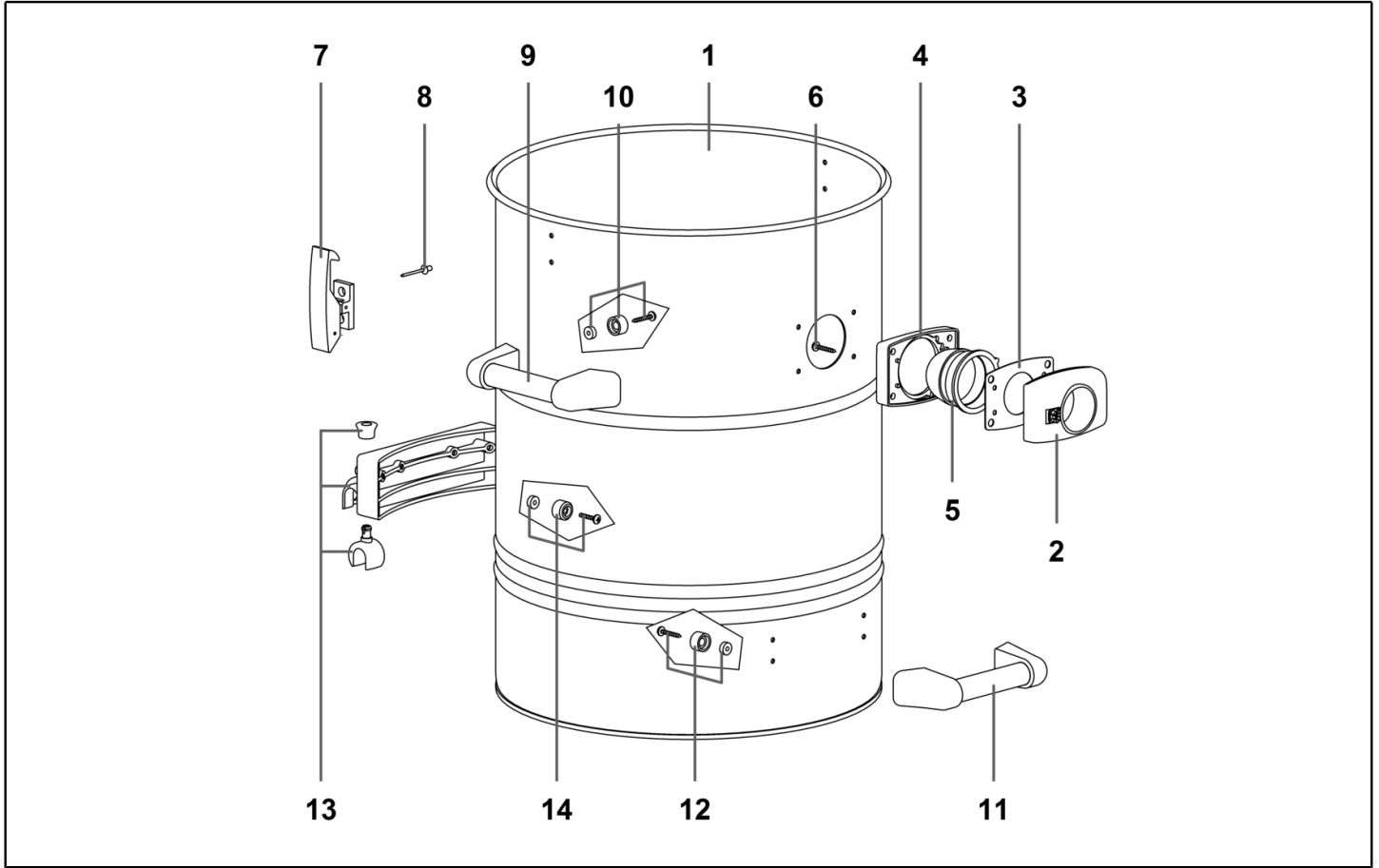
Ref. K	Part n.	Part n. 2	Description	Quantity	Validity		Price
					From	To	
0001	PMTA08744		VACUUM HEAD WINDLY 640 HP C/P NE/VEI	1,00			--
0002	KTRI72194		CONICAL FILTRATION KIT 600	1,00			--
0003	PMFU02538		DRUM 600 BASC A430 NE/VEI COMP	1,00			--
0004	CARR01374		TIPPING TROLLEY NEVADA	1,00			--



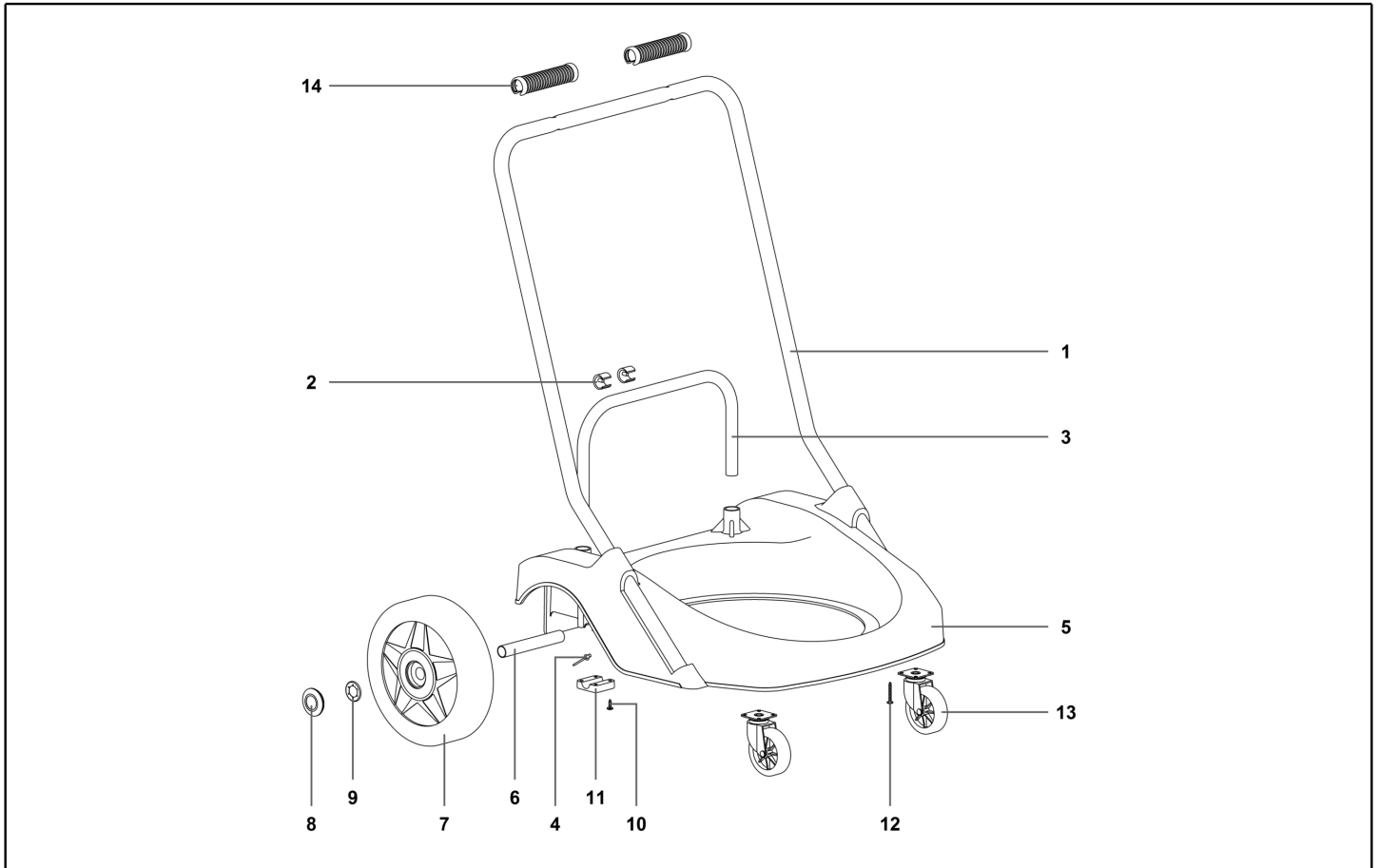
Ref. K	Part n.	Part n. 2	Description	Quantity	Validity		Price
					From	To	
*	MECB01817		WIRING 50CM MOTOR-TP	3,00			--
*	FSVR00127		CLAMP	4,00			--
*	MECB35712		WIRE WITH RESISTANCE	1,00			--
0001	VTVT71971		SCREW PAT TMT PHL 5X35 BLACK	2,00			--
0002	VTVT40007		SCREW PAT TMT PHL 5X55 BLACK	2,00			--
0003	MPVR08255		BLACK HANDLE WINDLY 600	1,00			--
0004	MPVR08265		COVER WINDLY 600 GREE-IPC	1,00			--
0005	MECI28744		ANTISPLASH RED LIGHT SWITCHER	3,00			--
0006	MECB31445		ELECTRIC CORD 2X1,5 MT.8,5	1,00			--
0007	MEVR28673		FAIRLEAD	1,00			--
0008	MPVR28690		CABLE CLAMP	1,00			--
0009	VTVT71961		SCREW PFU TMT PHL 5X20 ZN NERA	1,00			--
0010	VTVT71960		SCREW SCREW PAT TMT PHL 5X14 ZN	2,00			--
0011	MEVR02008		TERM.BOARD 400-600 3MOT.RAD	1,00			--
0012	MEVR72017		GUIDING SLIT FOR QUICK COUPLING	1,00			--
0013	FTDP38064		FILTER MTP/65 H=15 D.95	3,00			--
0014	VTVT40007		SCREW PAT TMT PHL 5X55 BLACK	9,00			--
0015	MPVR08519		COVERING 600 GREEN IPC	1,00			--
0016	MPVR38371		WASHER H8 D85X65	3,00			--
0017	MPVR86282		RING MOTORE H=7 (15) PLAST.	3,00			--
0018	MPVR08115		CAP /ADAPTER F/MOT.BYPASS AU	3,00			--
0019	VTVT72106		SCREW PAT TMT PHL 5X40 BLACK	9,00			--
0020	VTVT72106		SCREW PAT TMT PHL 5X40 BLACK	3,00			--
0021	VTVT01181		SCREW TC CROSS M 5X30 UNI 7687	1,00			--
0022	MPVR08329		MOTOR SUPPORT HS 600 BLACK	1,00			--
0023	GUVVR00413		"C" GASKET D.130	3,00			--
0024	MOMO00402		MOTOR BS282 WL 1000W 220-240	3,00			--
0025	GUVVR00412		"L" GASKET D.130 H=13	3,00			--
0026	MPVR06896		STAGE DUMMY H=20MM	3,00			--
0027	GUVVR00388		"L" GASKET S/F H=8	3,00			--
0028	FTDP38057		ANTINOISE TRIANGLE H=51	3,00			--
0029	FTDP28745		GASKET MTP/30 AU-AD 50X10X85	3,00			--
0030	MPVR28748		AUTOMATIC VALVE	3,00			--
0031	MPVR28752		COMPL.BASE NEV.600 W/S.PLATE BLACK	1,00			--



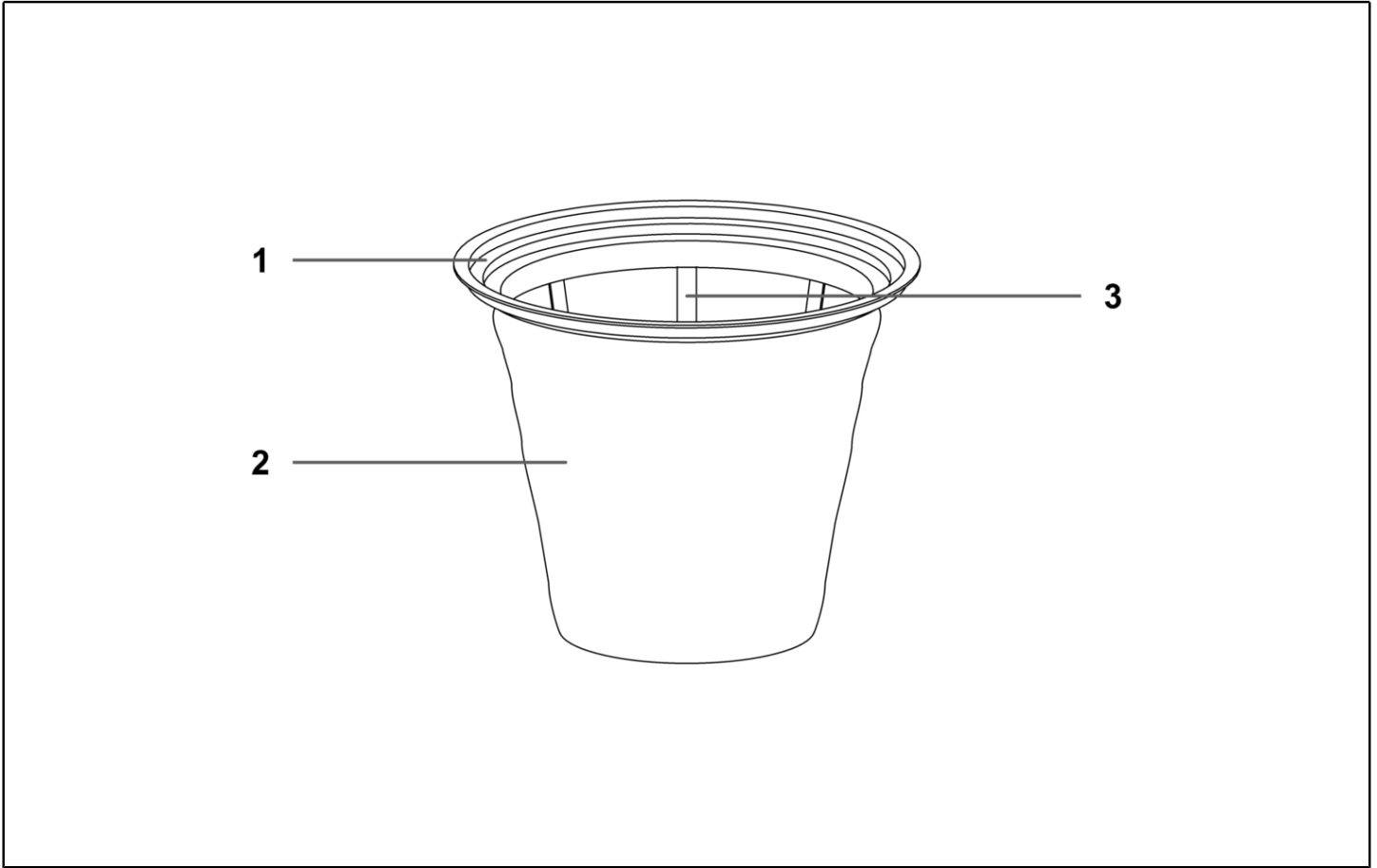
Ref. K	Part n.	Part n. 2	Description	Quantity	Validity		Price
					From	To	
A	KTRIO2949		KIT RING+FILT+BASKET 600	1,00			--
0001	MPVR35495		FILTER RING 600	1,00			--
0002	FTDP00523		FILTER POLY AN4-600 CON REG H320	1,00			--
0003	MPVR09199		CONICAL BASKET 400	1,00			--
0004	MPVR40521		NET ANTIFOAM BODY HIGH	1,00			--
0005	RCGR40008		HIGH FLOAT 99 W/GASKET 37 SHA	1,00			--
0006	MPVR35796		BUSHING PLASTIC SLEEVE D.8	4,00			--
0007	VTVT36751		SCREW SCREW PAT TMT PHL 5X25	4,00			--



Ref. K	Part n.	Part n. 2	Description	Quantity	Validity		Price
					From	To	
0001	LAFN28766		TIPPING TANK NEVADA 600 AISI 430	1,00			--
0002	MPVR09047		PIPE UNION R155 BLACK C/PUL.GR-IPC	1,00			--
0003	GUGO28701		GASKET D.38	1,00			--
0004	GUGO28736		GASKET R 205 BLACK	1,00			--
0005	MPVR28696		DEFLECTOR 99	1,00			--
0006	VTVT71966		SCREW PAT TMT PHL 5X30 BLACK	4,00			--
0007	CHVR28735		COMPLETE PLASTIC HOOK BLACK	2,00			--
0008	VTVR71991		RIVET 5X11	4,00			--
0009	MPVR28765		TANK HANDLE "V.F." ISSA	2,00			--
0010	PMVR02551		COMPL.SEAL JOI. W/SCREW L=3	8,00			--
0011	MPVR28765		TANK HANDLE "V.F." ISSA	1,00			--
0012	PMVR02551		COMPL.SEAL JOI. W/SCREW L=3	4,00			--
0013	MPVR06993		HINGE GROUP BASC COMP	1,00			--
0014	RIGE00015		COMPLETE SEAL W/SCREW L=25	4,00			--



Ref. K	Part n.	Part n. 2	Description	Quantity	Validity		Price
					From	To	
0001	LAFN09981		HANDLE NEVADA BLACK VARN.	1,00			--
0002	LAFN72157		HINGE POSITIONER	2,00			--
0003	LAFN28769		CHROME HANDLE NEVADA	1,00			--
0004	VTVR71991		RIVET 5X11	2,00			--
0005	MPVR28771		TROLLEY MIR. 1600	1,00			--
0006	LAFN28772		WHEEL PIVOT D.20X140	2,00			--
0007	RTRT24322		WHEEL SR 250	2,00			--
0008	MPVR85070		WHEEL CAP D.200/250 BLACK	2,00			--
0009	MPVR72149		BLOC D.20	2,00			--
0010	VTVT01193		SCREW PAT TMT PHL 5X15 ZN BLACK	8,00			--
0011	MPVR28774		LOCK PIVOT BRACKET	2,00			--
0012	VTVT11971		SCREW PAT TMT PHL 5X35 BLACK	8,00			--
0013	RTRT28775		FLANGED WHEEL D.80	2,00			--
0014	MPVR02288		PLAST.TROLLEY HANDLE	2,00			--



Ref. K	Part n.	Part n. 2	Description	Quantity	Validity		Price
					From	To	
0001	MPVR35495		FILTER RING 600	1,00			--
0002	FTDP00523		FILTER POLY AN4-600 CON REG H320	1,00			--
0003	MPVR09199		CONICAL BASKET 400	1,00			--