



Spare Parts List

ipc Div.SOTECO

Ref: ASDO13297

Cust.Ref: 3116 NTU

Model: VACUUM CLEANER WP1/16W&D WINDLY 215S HP

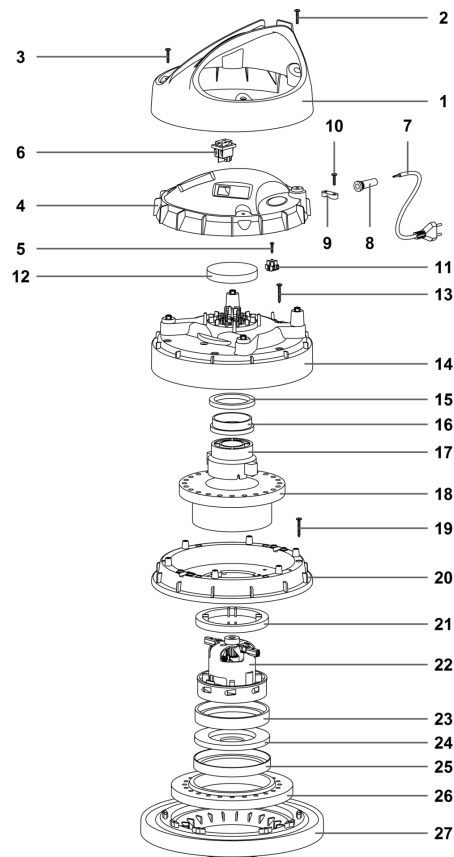
Cust.Model:



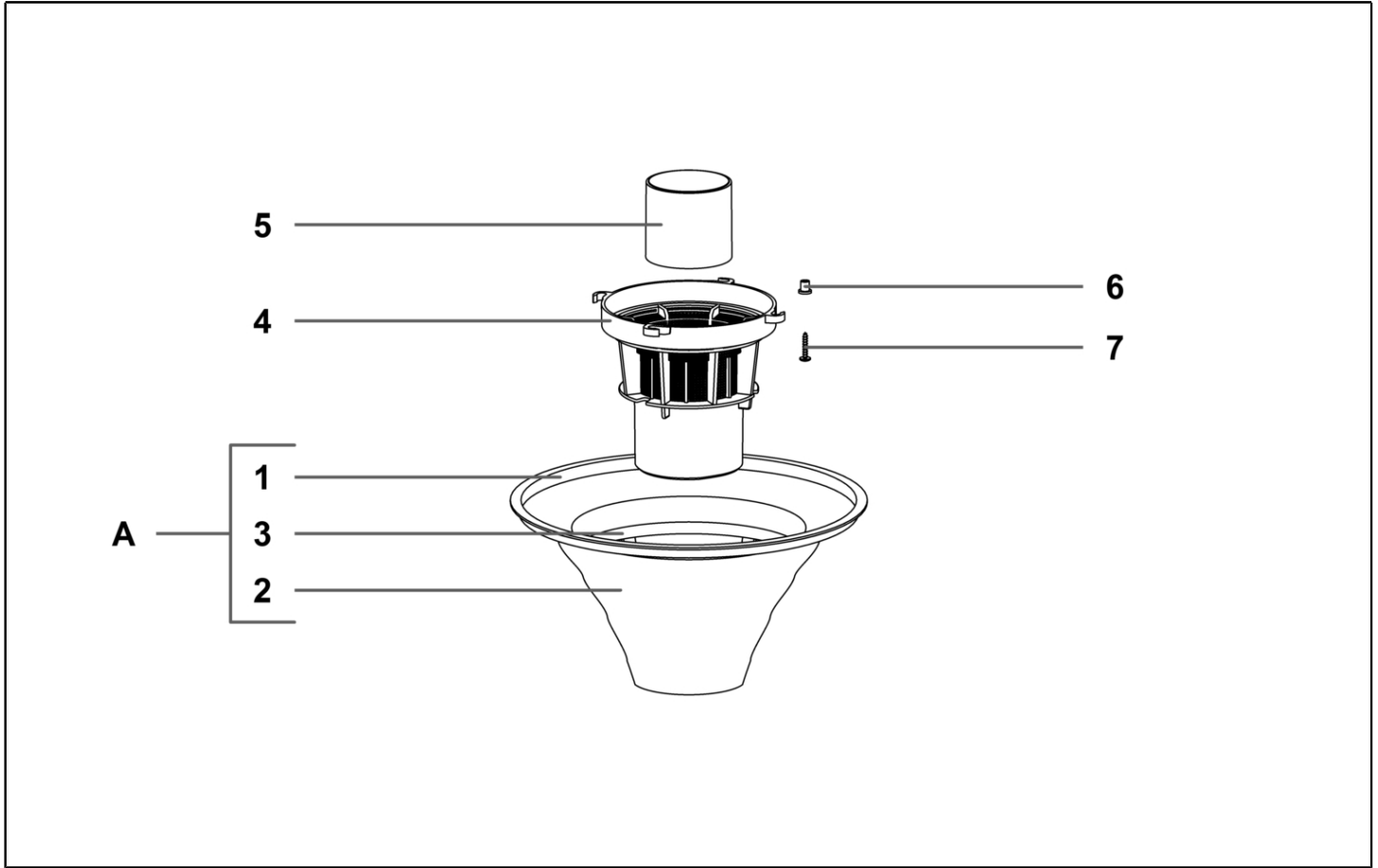
IPC Integrated Professional Cleaning

IPC Soteco

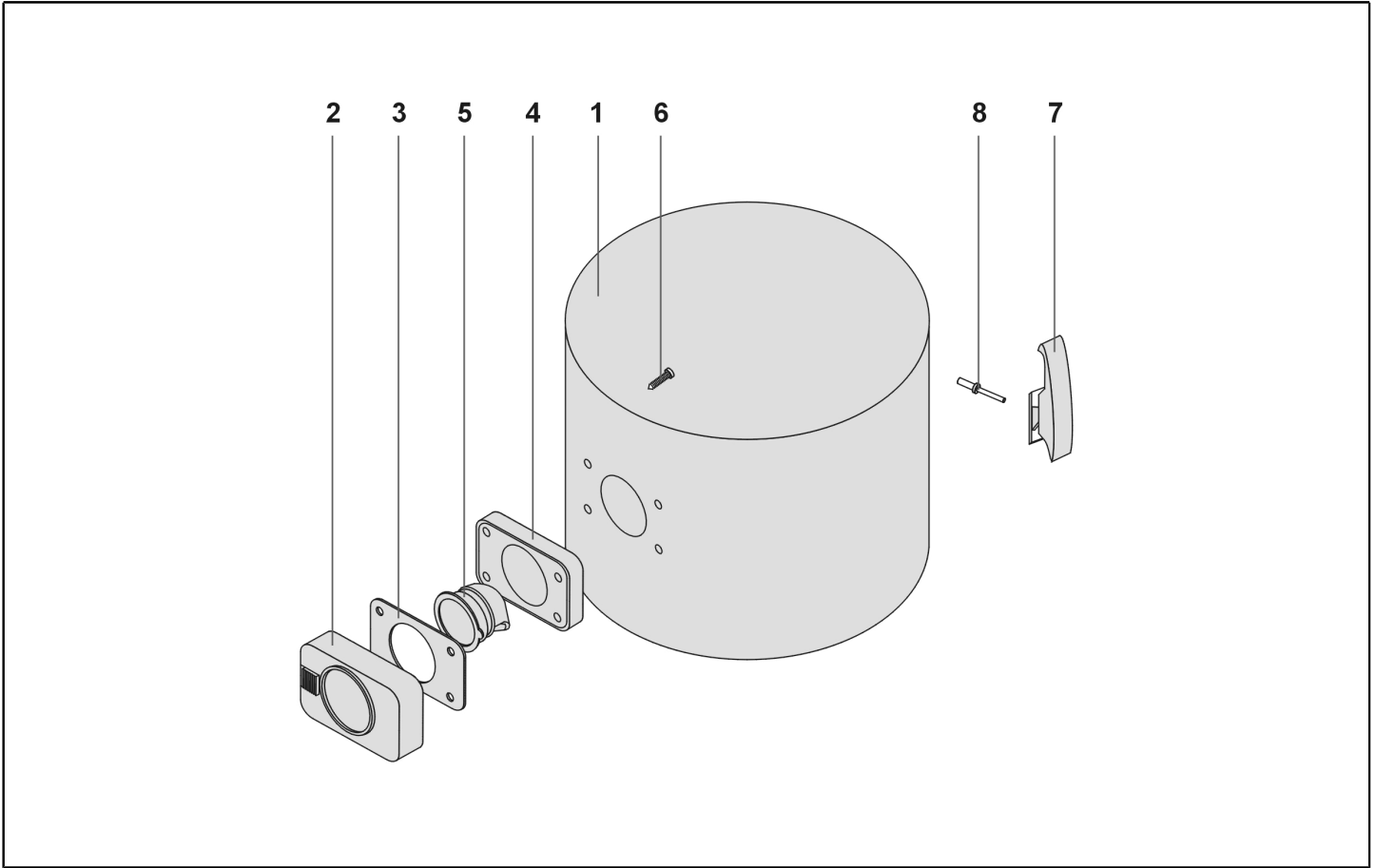
Ref. K	Part N.	Customer Part N.	Description	Quantity	Validity		Price
					From	To	
0001	PMTA08738		HEAD WINDLY 215/515 ASEV S/P	1,00	25/07/2017		--
0002	KTRI04435		FILTERING KIT YES SANIFIC. COMPL.	1,00			--
0003	PMFU02541		DRUM FUSTO 500/16W PL NE/VEI G	1,00			--
0004	CARR01593		TROLLEY 500 VEGAS NE F/PLAST COMP	1,00			--



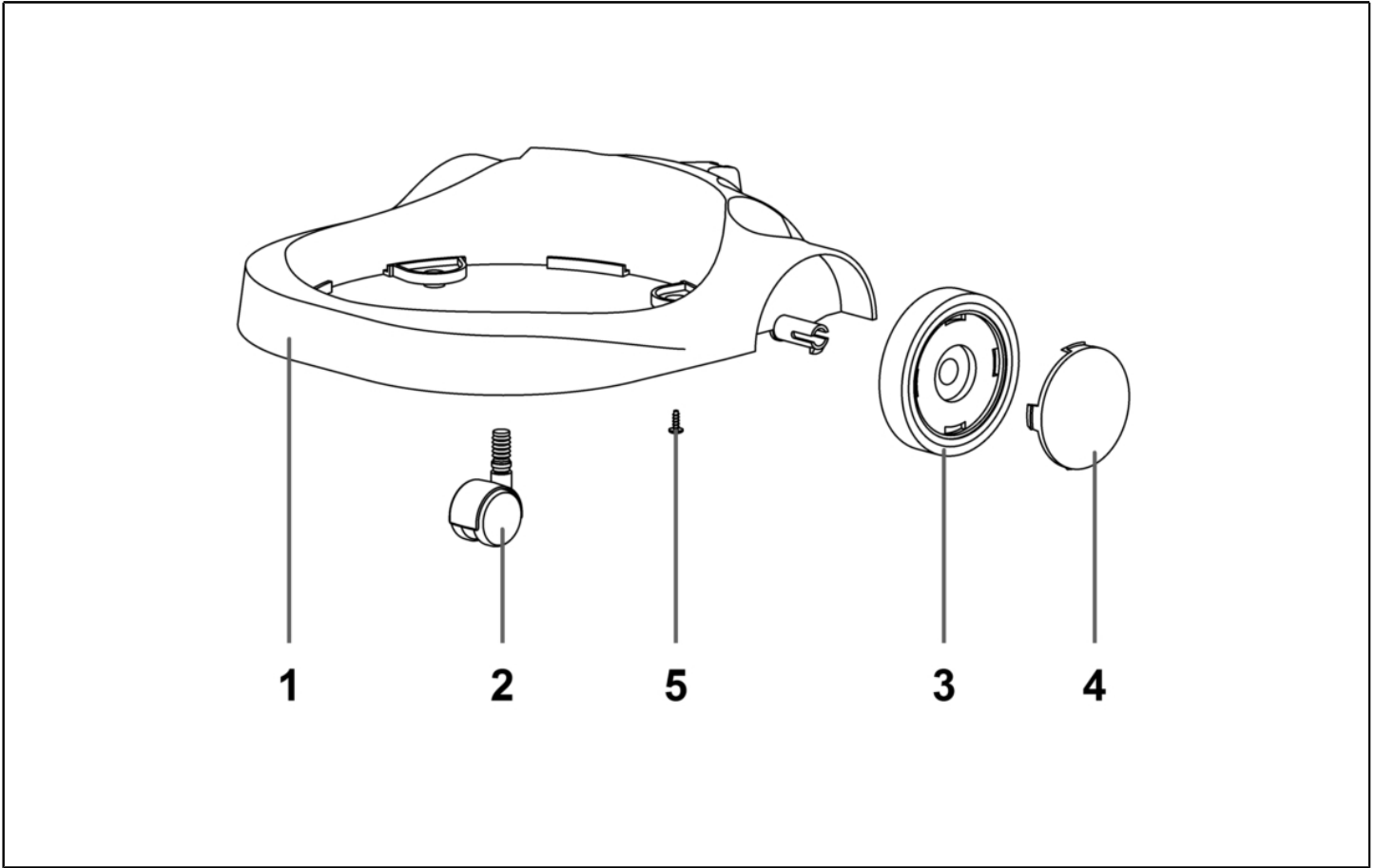
Ref. K	Part N.	Customer Part N.	Description	Quantity	Validity		Price
					From	To	
*	FSVR00127		CLAMP	1,00			--
*	MECB01579		CONN.WIRE C.420-GR-FF-FF48	1,00			--
*	MECB01452		CONN.WIRE C.430 MOT-TP GR-FF-FF4.8	1,00			--
0001	MPVR08242		BLACK HANDLE WINDLY 500	1,00			--
0002	VTVT72055		SCREW PFU TMT PHL 5X25 ZN BLACK	2,00			--
0003	VTVT72055		SCREW PFU TMT PHL 5X25 ZN BLACK	2,00			--
0004	MPVR08249		COVER WINDLY 500 IPC GREEN	1,00			--
0005	VTVT88715		SCREW PAT TCB 4,5X20 ZN BLACK	1,00			--
0006	MECI72195		ANTISPLASH SWITCH	1,00			--
0007	MECB48632		ELECTRIC CORD 2X1 MT.8,5 ASEV	1,00			--
0008	MEVR28673		FAIRLEAD	1,00			--
0009	MPVR28690		CABLE CLAMP	1,00			--
0010	VTVT71961		SCREW PFU TMT PHL 5X20 BLACK	1,00			--
0011	MECB01161		TERMINAL BOARD 300-500 2P RAD	1,00			--
0012	FTDP38064		FILTER MTP/65 H=15 D.95	1,00			--
0013	VTVT71971		SCREW PAT TMT PHL 5X35 BLACK	6,00			--
0014	MPVR09134		COVERING 99 S/HOLES GREEN-IPC	1,00			--
0015	MPVR38371		WASHER H8 D85X65	1,00			--
0016	MPVR86282		RING MOTORE H=7 (15) PLAST.	1,00			--
0017	MPVR08115		CAP /ADAPTER F/MOT.BYPASS AU	1,00			--
0018	FTDP38066		FILTER PHONO H=75	1,00			--
0019	VTVT71971		SCREW PAT TMT PHL 5X35 BLACK	6,00			--
0020	MPVR08199		MOTOR SUPPORT 08 X MOT.WL BLACK	1,00			--
0021	GUVR00413		"C" GASKET D.130	1,00			--
0022	MOMO00402		MOTOR BS282 WL 1000W 220-240	1,00			--
0023	GUGO40052		L-GASKET D.130 H=9	1,00			--
0024	MPVR89143		OUTDISTANCED SINGLE-STAGE H=13MM	1,00			--
0025	GUGO28683		"L" GASKET W/O HOLES H=5,5	1,00			--
0026	FTDP38067		WASHER MTP 65MM 18D 230X145	1,00			--
0027	PMBA00625		BASE 500 SING./STAGE W/BL.GAS.	1,00			--



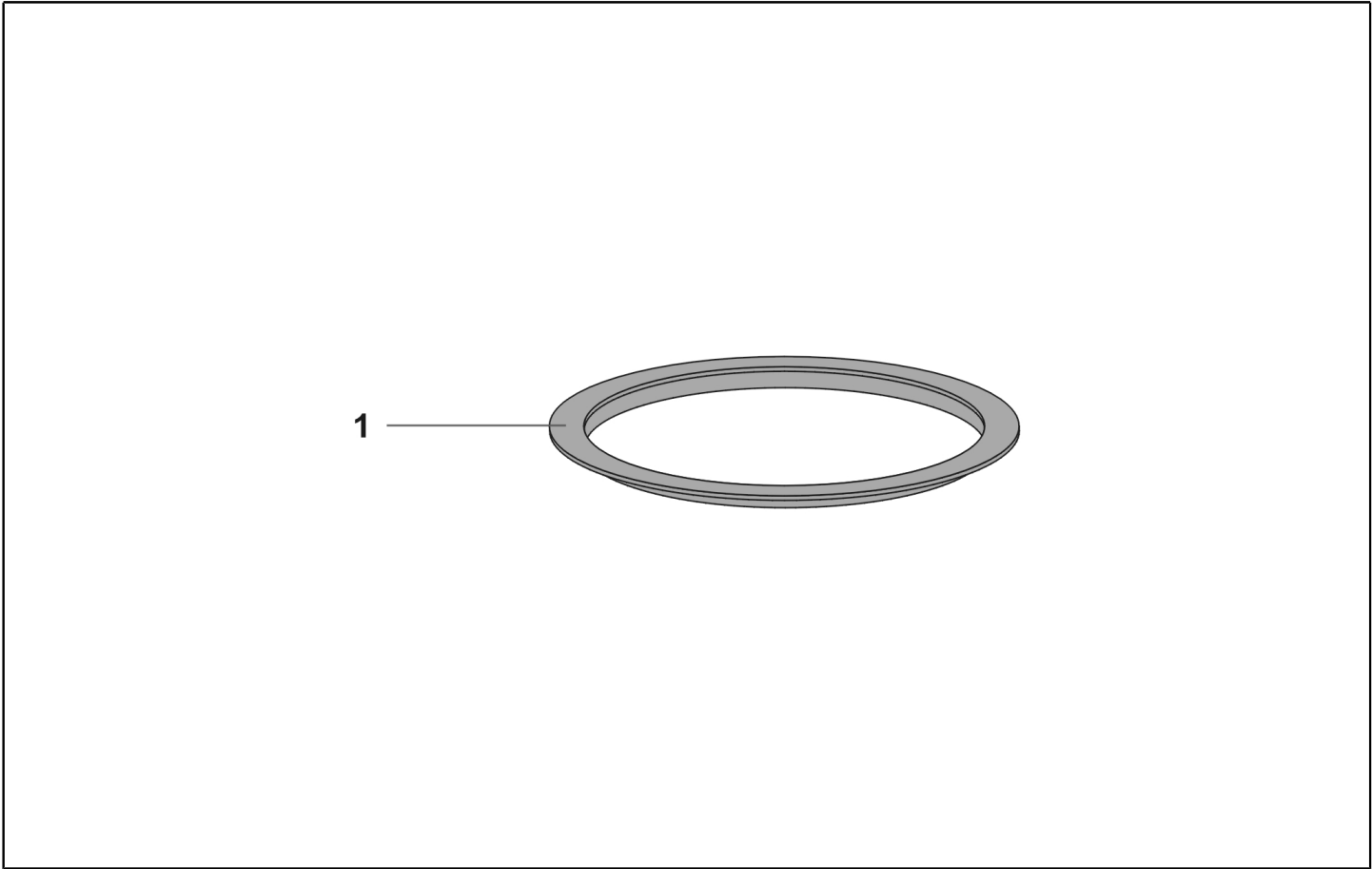
Ref. K	Part N.	Customer Part N.	Description	Quantity	Validity		Price
					From	To	
A	KTRI02133		KIT RING+FILT+BASK 500 CONIC. SAN	1,00			--
0001	MPVR36522		FILTER RING 500	1,00			--
0002	FTDP00547		FILTER POLY AN3-500 CON REG H180	1,00			--
0003	MPVR35490		LOWER CONICAL BASKET 300	1,00			--
0004	MPVR40521		NET ANTIFOAM BODY HIGH	1,00			--
0005	RCGR40008		HIGH FLOAT 99 W/GASKET 37 SHA	1,00			--
0006	MPVR35796		PLASTIC SLEEVE D.8	4,00			--
0007	VTVT36751		SCREW PAT TMT PHL 5X25	4,00			--



Ref. K	Part N.	Customer Part N.	Description	Quantity	Validity		Price
					From	To	
0001	PMVR05851		DRUM PL.500/16W NE	1,00			--
0002	MPVR09047		PIPE UNION R155 BLACK C/PUL.GR-IPC	1,00			--
0003	GUGO28701		GASKET D.38	1,00			--
0004	GUGO28736		GASKET R 205 BLACK	1,00			--
0005	MPVR28696		DEFLECTOR 99	1,00			--
0006	VTVT71966		SCREW PAT TMT PHL 5X30 BLACK	4,00			--
0007	CHVR28735		COMPLETE PLASTIC HOOK BLACK	2,00			--
0008	VTVR71992		RIVET 4,8X17	4,00			--



Ref. K	Part N.	Customer Part N.	Description	Quantity	Validity		Price
					From	To	
0001	E	MPVR40522	TROLLEY TROLLEY BODY 500 VEGAS BL	1,00			--
0002	E	RTRT42006	TROLLEY BOX WHEEL	2,00			--
0003	E	RTRT85778	WHEEL BODY YES	2,00			--
0004	E	MPVR40523	WHEEL COVERING YES BLACK	2,00			--
0005	E	VTVT71960	SCREW PAT TMT PHL 5X14 ZN BLACK	4,00			--



Ref. K	Part N.	Customer Part N.	Description	Quantity	Validity		Price
					From	To	
0001	MPVR36522		FILTER RING 500	1,00			--
0001	MPVR36522		FILTER RING 500	1,00			--