

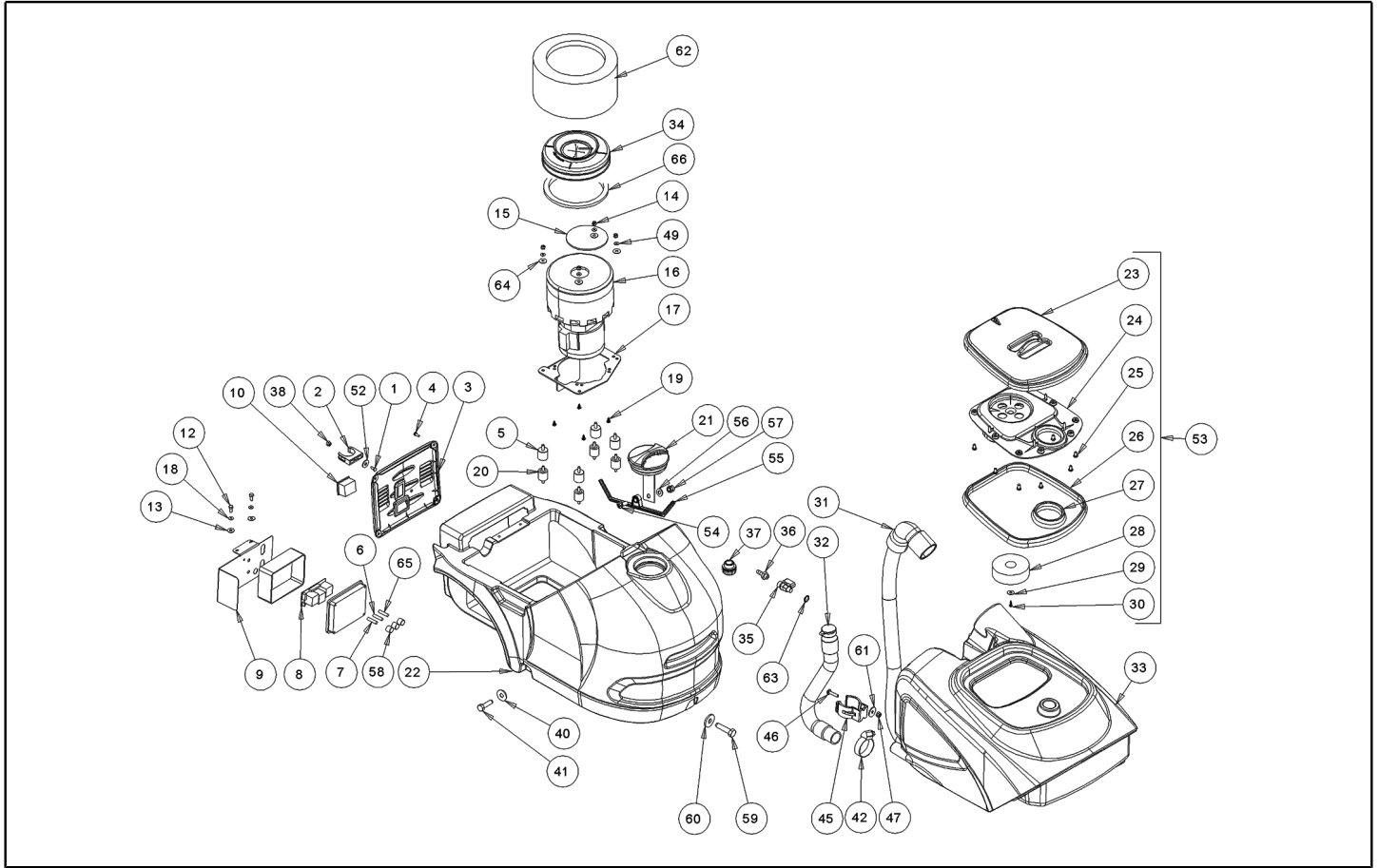


IPC

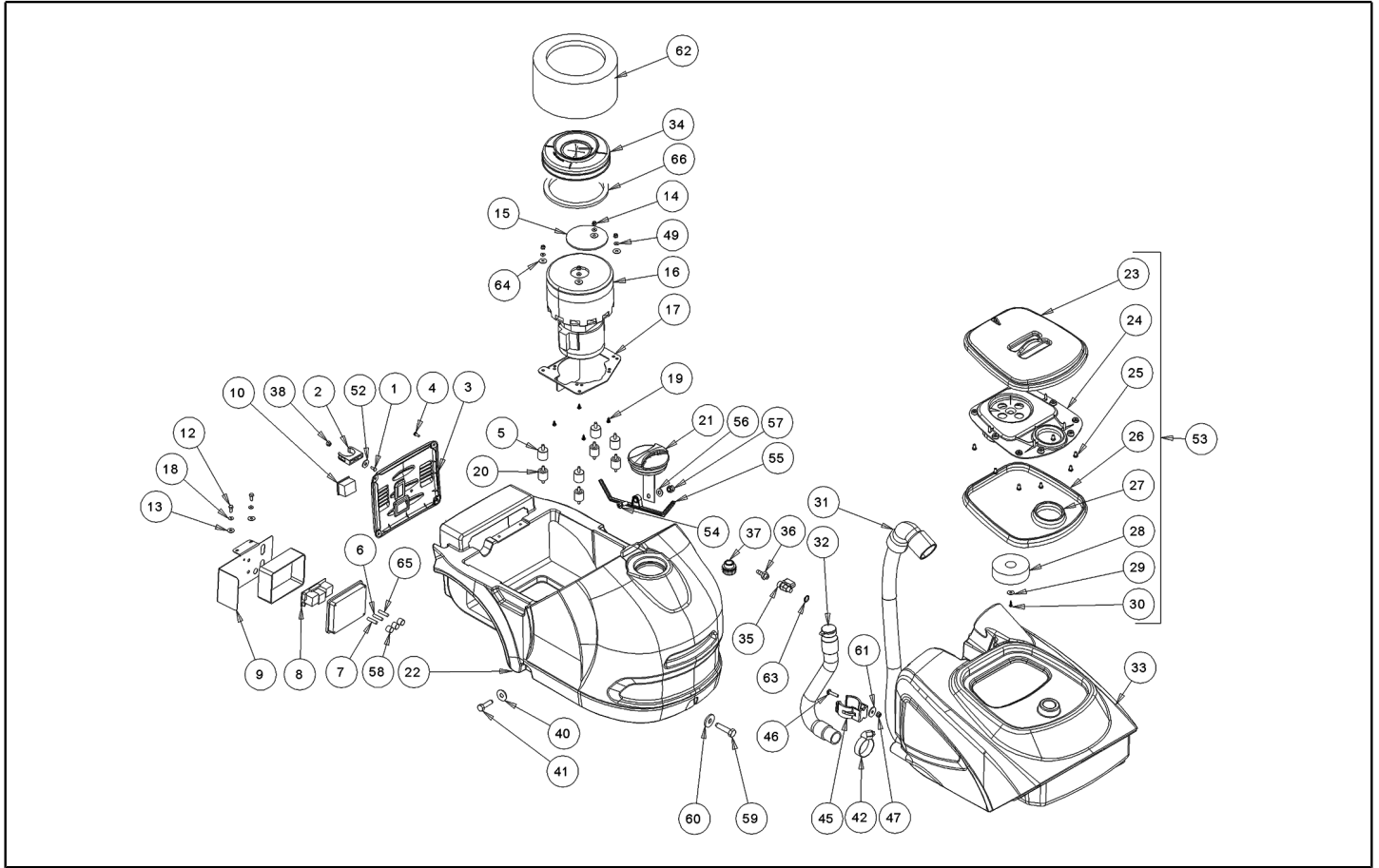
Spare parts list

Ref: LPTE00517

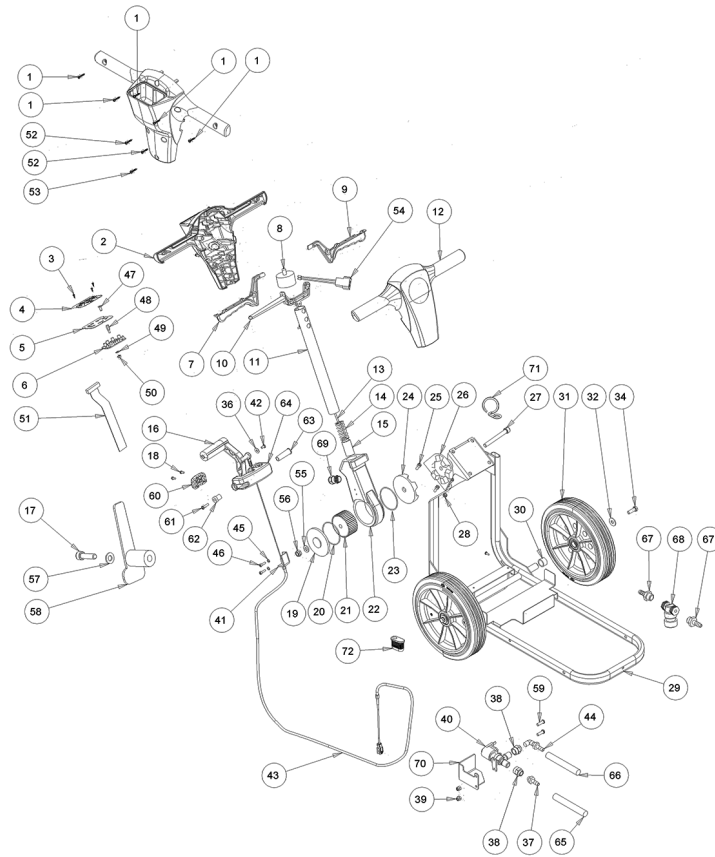
Model: FLOOR WASHER CT15 C35 230V GR/VE



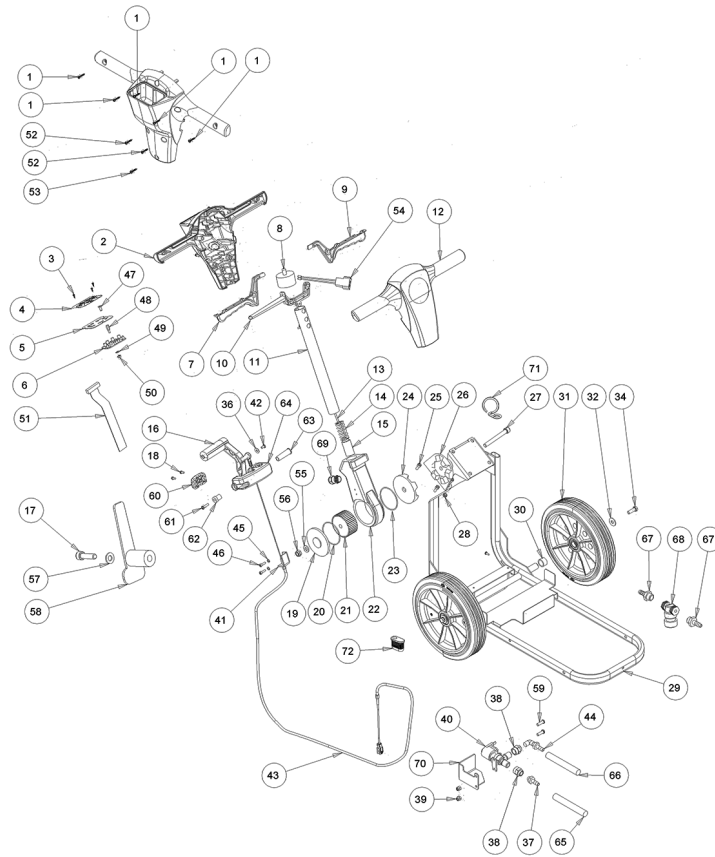
Ref. K	Part n.	Part n. 2	Description	Quantity	Validity		Price
					From	To	
0001	VTVT29884		SCREW TE UNI 5739 4X16 ZB	1,00		29/02/2012	--
0001	VTVT15924		SCREW M4X16 UNI7687	1,00	11/09/2014		--
0002	MPVR05841		CLIP -	1,00		29/02/2012	--
0002	MPVR05841		CLIP -	1,00	11/09/2014		--
0003	MPVR05828		COVER BATTERY CHARGER CT15	1,00			--
0004	VTVT75733		SCREW TBCE ISO 7380 5X12 ZB	4,00			--
0005	LAFN08967		SPACER CT15-30	4,00			--
0006	MEVR02046		FUSE	1,00		18/06/2012	--
0006	MEVR04377		FUSE T1.5A	1,00	19/06/2012		--
0007	MEVR02047		FUSE 8A 6,3X32 GLASS	1,00			--
0008	KTRI02103		KIT POWER CARD CT15 230V	1,00			--
0009	LAFN08980		PLATE -	1,00			--
0010	MPVR00073		CAP CIECO NERO 22X30	1,00		16/02/2017	--
0010	MECI00589		SWITCH ROCKER 16A 250V IP65	1,00	17/02/2017		--
0012	VTVT34115		SCREW TE M 5X 10 UNI 5739	2,00			--
0013	VTRS13750		WASHER D. 5X14 INX	2,00			--
0014	VTDD07727		NUT M 5 INOX	4,00			--
0015	LAFN05830		FILTER VAC.MOTOR SUS	1,00			--
0016	MOMO00243		MOTOR VACUUM 230V 2ST.	1,00			--
0017	LAFN08894		PLATE -	1,00		20/03/2013	--
0017	LAFN08062		AXLE .	1,00	21/03/2013		--
0018	VTRS08013		WASHER D. 5 GRW	2,00			--
0019	VTVT48694		SCREW TCB TC 5 X12 UNI 9707 TZ	4,00			--
0020	ABGO00052		VIBRATION DAMP. -	4,00			--
0021	MPVR05188		CAP SOLUTION TANK	1,00			--
0022	MPVR05824		TANK SOLUTION CT15	1,00			--
0023	MPVR05825		COVER -	1,00			--
0024	MPVR05826		COVER INNER LID TANK CT15-30	1,00			--
0025	VTVT01694		SCREW SELF TAPPING 4.8X9.5 SUS	8,00			--
0026	GUVR00306		GASKET RECOVERY TANK LID CT15	1,00			--
0027	GUVR00307		GASKET -	1,00			--
0028	MPVR05836		FLOATER RECOVERY TANK LID	1,00			--
0029	VTRS00573		WASHER 30x6x3	1,00			--
0030	VTVT48694		SCREW TCB TC 5 X12 UNI 9707 TZ	1,00			--
0031	TBFX00345		TUBE CT15	1,00		23/10/2011	--
0031	KTRI04697		KIT REPLACEMENT TBFX00351	1,00	24/10/2011		--
0032	TBFX00346		TUBE DRAIN RECOVERY TANK CT15	1,00			--
0033	MPVR05823		TANK RECOVERY CT15	1,00			--
0034	GUGO00444		GASKET -	1,00		25/10/2016	--
0034	GUGO00498		GASKET	1,00	26/10/2016	12/03/2019	--
0034	GUGO00599		GASKET	1,00	13/03/2019		--
0035	RCGR00008		VALVE SOLUTION M/F 1/8"	1,00			--
0036	RCVR00004		CONNECTOR PORTAGOMMA 1/8" D.7	1,00			--
0037	MPVR08003		CAP	1,00		02/11/2016	--



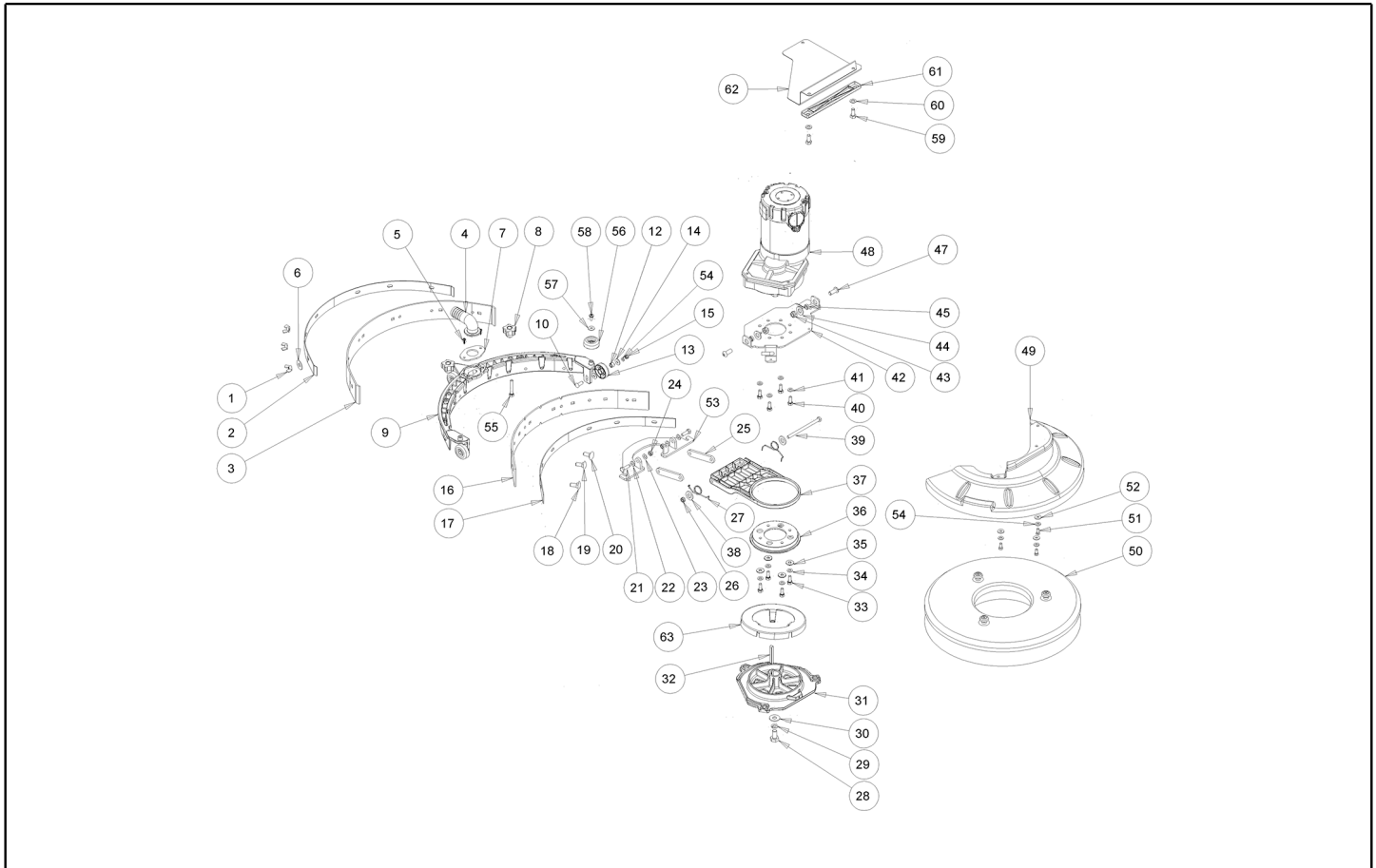
Ref. K	Part n.	Part n. 2	Description	Quantity	Validity		Price
					From	To	
0037	MPVR10774		CAP 1/2"	1,00	03/11/2016		--
0038	VTDD04369		NUT M 4 TEF UNI 7473	1,00		29/02/2012	--
0038	VTDD15925		NUT M 4 INX+ZN	1,00	11/09/2014		--
0040	VTRS13750		WASHER D. 5X14 INX	3,00			--
0041	VTVT01376		SCREW TE M 5X 35 UNI 5739	3,00			--
0042	FSVR00002		CLAMP EKOFLEX 9 23-35	1,00			--
0045	MPVR05841		CLIP -	1,00		29/02/2012	--
0045	MPVR05996		CLIP -	1,00	01/03/2012	26/06/2014	--
0045	MPVR05841		CLIP -	1,00	27/06/2014	09/11/2014	--
0045	MPVR06412		TUBE CLIP I.D. 25 MM	1,00	10/11/2014		--
0046	VTVT00727		SCREW TE M. 4-20	1,00		29/02/2012	--
0046	VTVT29884		SCREW TE UNI 5739 4X16 ZB	1,00	01/03/2012	26/06/2014	--
0046	VTVT00727		SCREW TE M. 4-20	1,00	27/06/2014	09/11/2014	--
0046	VTVT00863		SCREW	2,00	10/11/2014		--
0047	VTDD04369		NUT M 4 TEF UNI 7473	2,00			--
0049	VTRS15908		WASHER D. 5 INX GRW UNI 1751	4,00			--
0052	VTRS05904		WASHER UNI 6592 4X16 ZB	1,00		29/02/2012	--
0052	VTRS00251		WASHER 4-16 INOX A2	1,00	11/09/2014		--
0053	KTRI01989		KIT RECOVERY LID	1,00			--
0054	VTVT15965		SCREW TCB-TC 4X12 UNI7687 INX	1,00			--
0055	MPVR08038		PLATE CT15-30	1,00			--
0056	VTRS00515		WASHER D. 4 INX	1,00			--
0057	VTDD00055		NUT M 4 ATB A2	1,00			--
0058	MEVR02091		FUSE-HOLDER -	2,00			--
0059	VTVT01376		SCREW TE M 5X 35 UNI 5739	1,00			--
0060	VTRS13750		WASHER D. 5X14 INX	1,00			--
0061	VTRS05904		WASHER UNI 6592 4X16 ZB	2,00	10/11/2014		--
0062	ITSO00071		INSULATOR -	1,00	10/02/2015	27/03/2019	--
0063	GUGO03500		O-RING D. 6.75 X 1.78 NBR 70SH	1,00	14/04/2015		--
0064	VTRS13750		WASHER D. 5X14 INX	4,00	14/05/2015		--
0065	MEVR04379		FUSE -	1,00	17/02/2017		--
0066	FSVR00264		CLAMP	1,00	13/03/2019		--



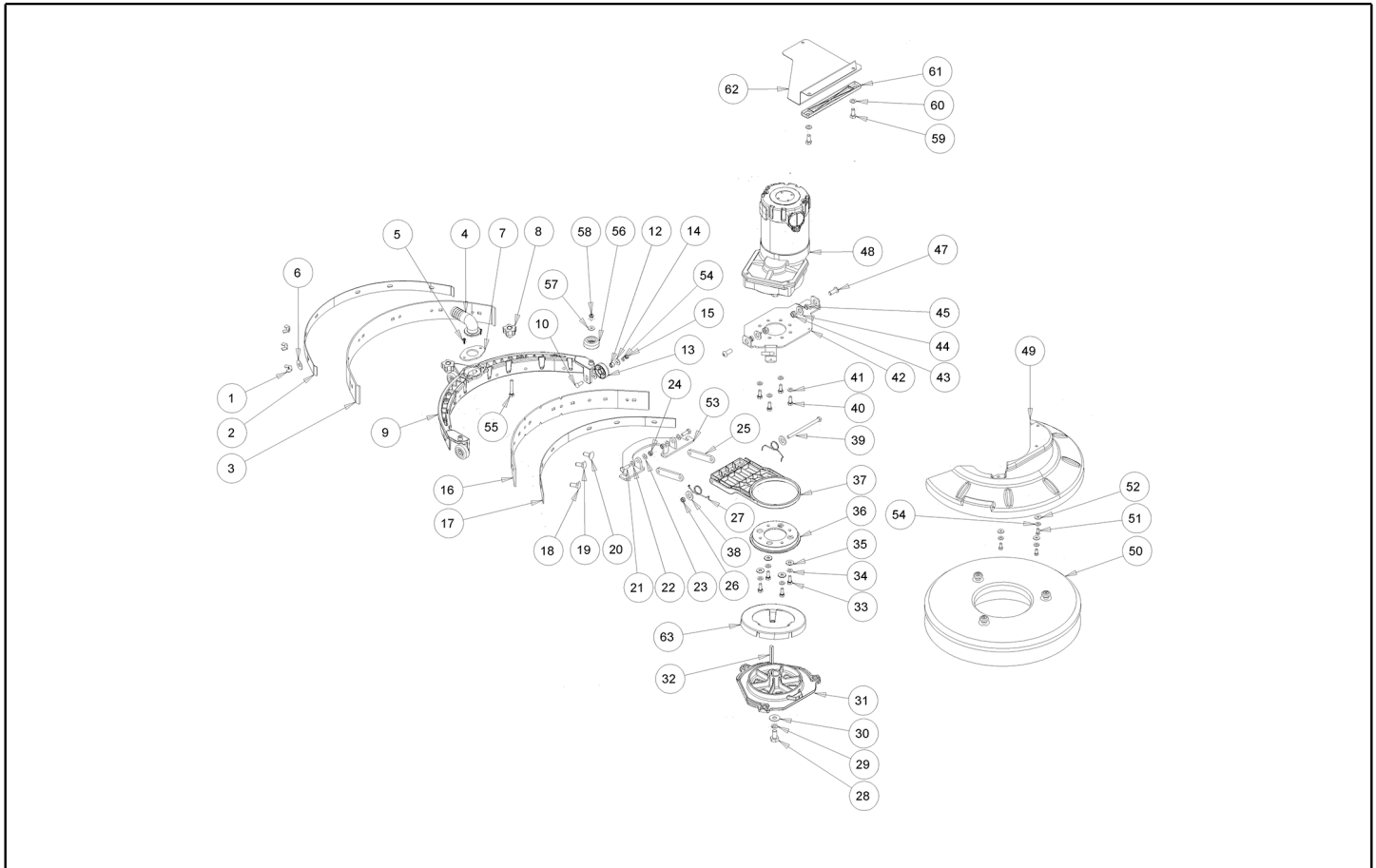
Ref. K	Part n.	Part n. 2	Description	Quantity	Validity		Price
					From	To	
0001	VTVT01371		SCREW 4,8X19	5,00			--
0002	MPVR05837		HANDLE REAR CT15-CT30	1,00			--
0003	VTVT00800		SCREW TC 4X12 ZN	3,00			--
0004	ETET01699		LABEL DASHBOARD CT15-30 CABLE	1,00			--
0005	LAFN08891		BRACKET -	1,00			--
0006	MECE00537		BOARD LOGIC CT15-CT30 230V	1,00			--
0007	MPVR05490		LEVER SWITCH ACTIVATION LEFT	1,00			--
0008	MERL00013		SWITCH -	1,00			--
0009	MPVR05490		LEVER SWITCH ACTIVATION LEFT	1,00			--
0010	MPVR05488		LEVER HANDLE ADJUSTMENT	1,00			--
0011	LAFN09338		TUBE MANICO	1,00			--
0012	MPVR05486		CRANKCASE -	1,00			--
0013	LAFN07917		SUPPORT -	1,00			--
0014	MLML00319		SPRING -	1,00			--
0015	MTIG00126		GEAR	1,00			--
0016	MPVR49942		LEVER SQUEEGEE LIFTING PP	1,00			--
0017	VTVT63038		SCREW TCEI M8X45 BR	1,00			--
0018	VTVT01375		SCREW 5X22	2,00			--
0019	LAFN07476		COVER -	1,00			--
0020	GUGO00437		O-RING -	1,00			--
0021	MTIG00125		GEAR	1,00			--
0022	LAFN07475		SUPPORT -	1,00			--
0023	GUGO00437		O-RING -	1,00			--
0024	LAFN07477		COVER -	1,00			--
0025	VTVT29810		SCREW TCCE UNI 5931 8X20 ZB	4,00			--
0026	LAFN07478		SUPPORT -	1,00			--
0027	VTVT01205		SCREW -	1,00			--
0028	VTDD00124		NUT M8 DIN985	4,00			--
0029	LAFN08895		FRAME -	1,00			--
0030	LAFN08915		BUSHING -	2,00			--
0031	RTRT00537		WHEEL GRAY d.250 CT15-30-45	2,00			--
0032	VTRS00512		WASHER D. 8 X24 ZC.	2,00			--
0034	VTVT01110		SCREW TE 8X16 UNI5739	2,00			--
0036	VTRS00251		WASHER 4-16 INOX A2	1,00			--
0037	RCVR00004		CONNECTOR PORTAGOMMA 1/8" D.7	1,00			--
0038	RCDS00045		CONNECTOR -	1,00			--
0039	VTVT48694		SCREW TCB TC 5 X12 UNI 9707 TZ	2,00		15/05/2013	--
0039	VTDD00055		NUT M 4 ATB A2	2,00	16/05/2013		--
0040	KTRI02099		SOLENOID VALVE CT15	1,00		09/09/2013	--
0040	PMVR01887		SOLENOID VALVE CT15	1,00	10/09/2013		--
0041	LAFN08898		BRACKET -	1,00			--
0042	VTVT00800		SCREW TC 4X12 ZN	1,00			--
0043	CMCV00453		CABLE SQUEEGEE LIFT CT15	1,00			--
0044	RCVR00084		CONNECTOR A "L"	1,00		19/01/2014	--



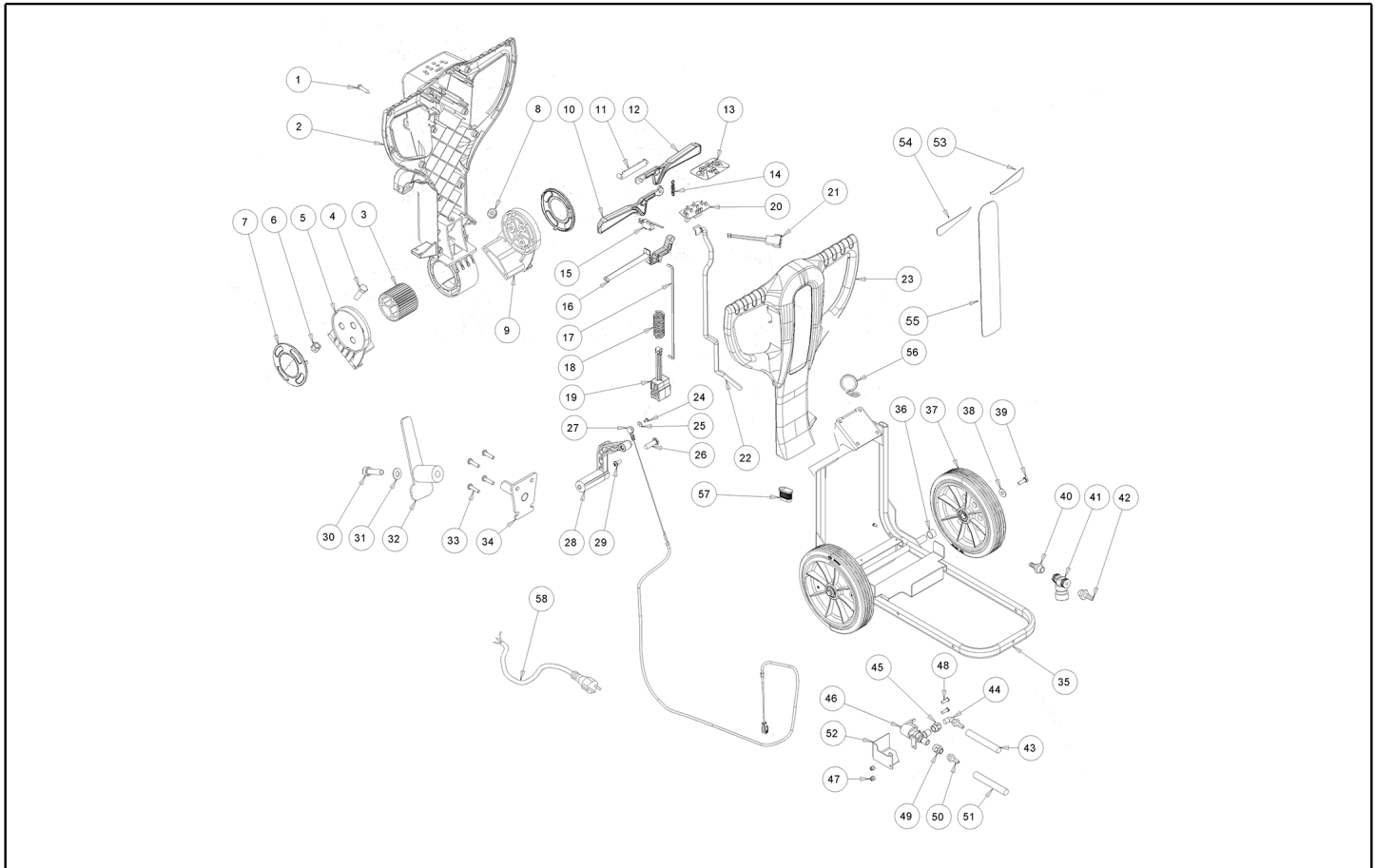
Ref. K	Part n.	Part n. 2	Description	Quantity	Validity		Price
					From	To	
0044	RCVR00004		CONNECTOR PORTAGOMMA 1/8" D.7	1,00	20/01/2014		--
0045	VTRS08013		WASHER D. 5 GRW	2,00			--
0046	VTVT17639		SCREW TCCE UNI 5931 5X10 ZB	2,00			--
0047	VTVT01377		SCREW TSP-TC M 3X5 UNI7688 INX	4,00			--
0048	VTVR00481		INSERT FILETTATO M6	4,00			--
0049	VTRS00268		WASHER D.3	4,00			--
0050	VTDD21115		NUT M 3 INOX	4,00			--
0051	MECB01257		CABLE RIBBON CT15	1,00			--
0052	VTVT01372		SCREW 4,8X25	2,00			--
0053	VTVT01373		SCREW 4,8X38	1,00			--
0054	MECB01273		WIRING	1,00			--
0055	VTRS00505		WASHER D.10 UNI 6592	1,00			--
0056	VTDD00042		NUT AUT.M10 UNI7474	1,00			--
0057	VTRS00230		WASHER D. 8	1,00			--
0058	MPVR34714		CABLE SUPPORT E 350	1,00			--
0059	VTRS00274		WASHER NYLON 66 D.8,4-17-2 UNI	2,00		15/05/2013	--
0059	VTVT15924		SCREW M4X16 UNI7687	2,00	16/05/2013		--
0060	MPVR05925		HOSE COLLAR CT15	1,00			--
0061	VTVT01374		SCREW 5X40	1,00			--
0062	MPVR05928		BUSHING CT15	1,00			--
0063	MPVR05927		PIN CT15	1,00			--
0064	MPVR05926		SUPPORT CT15	1,00			--
0065	TBBP00483		TUBE -	1,00			--
0066	TBBP00482		TUBE -	1,00			--
0067	RCVR00780		HOSE FITTING 1/4"	2,00		19/05/2013	--
0067	RCVR00786		CONNECTOR -	2,00	20/05/2013		--
0068	FTAC00042		FILTER -	1,00		28/02/2012	--
0068	FTAC00044		FILTER CT15-CT30	1,00	29/02/2012	13/05/2018	--
0068	FTAC00075		FILTER COMPLETE CT15-30-45 P2.3	1,00	14/05/2018		--
0069	MEVR01595		FAIR-LEAD -	1,00			--
0070	LAFN07948		PROTECTION SOLENOID VALVE	1,00	16/05/2013		--
0071	LAFN11049		HOOK -	1,00	14/06/2016		--
0072	GUGO00508		GASKET 30X15	1,00	17/02/2017		--



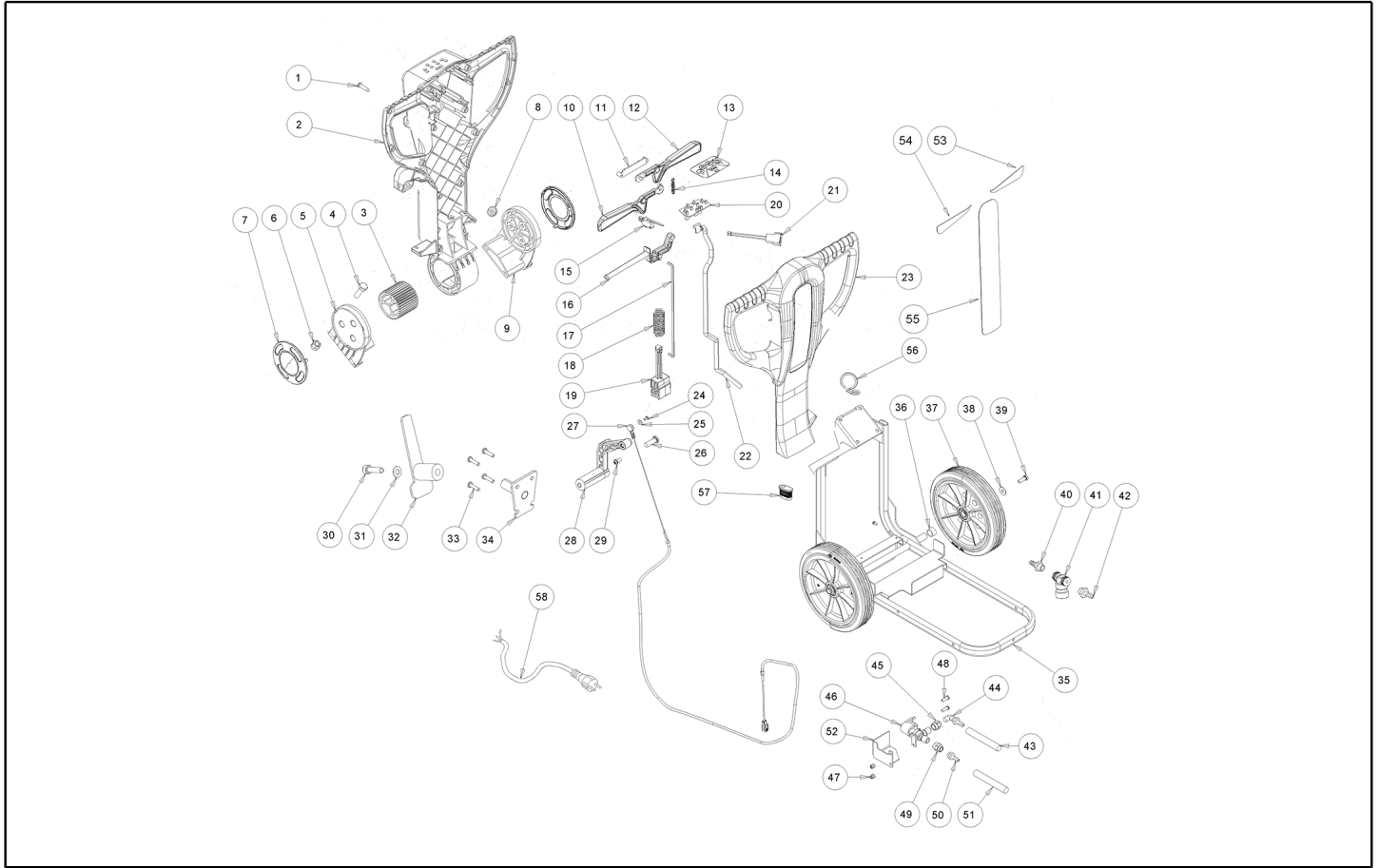
Ref. K	Part n.	Part n. 2	Description	Quantity	Validity		Price
					From	To	
0001	VTDD00522		NUT M5	6,00			--
0002	LAFN08887		BRACKET -	1,00			--
0003	MPVR05918		BLADE SQUEEGEE LATEX REAR CT15	1,00			--
0004	MPVR05831		CONNECTOR ELBOW FITTING CT15-CT30	1,00			--
0005	VTVT48694		SCREW TCB TC 5 X12 UNI 9707 TZ	2,00			--
0006	VTRS13750		WASHER D. 5X14 INX	6,00			--
0007	LAFN08890		FLANGE SQUEEGEE HELBOW	1,00			--
0008	MPVR05842		SMALL KNOB -	2,00			--
0009	MPVR05835		FLOOR WIPER YELLOW RAL1021	1,00			--
0010	VTVT01693		SCREW M5x20	3,00			--
0012	LAFN08913		BUSHING -	3,00			--
0013	MPVR05832		WHEEL -	3,00			--
0014	VTRS13750		WASHER D. 5X14 INX	6,00			--
0015	VTDD07727		NUT M 5 INOX	3,00			--
0016	MPVR05917		BLADE SQUEEGEE LATEX FRONT CT15	1,00			--
0017	LAFN08886		BRACKET -	1,00			--
0018	VTVT01690		SCREW M5x25	2,00			--
0019	VTVT01691		SCREW M5x35	2,00			--
0020	VTVT01691		SCREW M5x35	2,00			--
0021	VTVT13939		SCREW TE 6X20 UNI5739 INX	2,00			--
0022	VTRS00245		WASHER D.6 UNI 6592 INOX	2,00			--
0023	VTRS00245		WASHER D.6 UNI 6592 INOX	2,00			--
0024	VTDD01694		NUT M6 INOX	2,00			--
0025	LAFN08889		ARM -	2,00			--
0026	VTDD01694		NUT M6 INOX	1,00			--
0027	MLML00343		SPRING -	2,00	20/02/2015		--
0028	VTVT13938		SCREW TE 8X20 UNI5739 INX	1,00			--
0029	VTRS15146		WASHER GROVER A2 UNI1751	1,00			--
0030	VTRS13946		WASHER D. 8 X24 INX UNI 6593	1,00			--
0031	MFVR00212		DRIVE DISK ALUMINIUM	1,00			--
0032	VTVR16617		KEY 6X 6X30 UNI 6604	1,00			--
0033	VTVT13939		SCREW TE 6X20 UNI5739 INX	4,00			--
0034	VTRS15144		WASHER D. 6 INX GRW UNI 1751	4,00			--
0035	VTRS13945		WASHER D. 6X18 INX UNI 6593	4,00			--
0036	MPVR05830		BRACKET -	1,00		19/02/2015	--
0036	MPVR07161		BRACKET -	1,00	20/02/2015		--
0037	MPVR05829		SUPPORT -	1,00		19/02/2015	--
0037	MPVR07158		BODY SIDE SX	1,00	20/02/2015		--
0038	VTRS13945		WASHER D. 6X18 INX UNI 6593	2,00	20/02/2015		--
0039	VTVT01692		SCREW M6X125	1,00		21/04/2014	--
0039	VTVT01385		SCREW M6X140	1,00	22/04/2014		--
0040	VTVT15906		SCREW TE 6X 12 A2 UNI 5739	4,00			--
0041	VTRS15144		WASHER D. 6 INX GRW UNI 1751	4,00			--
0042	LAFN08896		PLATE -	1,00			--



Ref. K	Part n.	Part n. 2	Description	Quantity	Validity		Price
					From	To	
0043	VTDD01695		NUT M 8 INX	2,00			--
0044	VTRS13947		WASHER D. 8 INX UNI 6592	2,00			--
0045	LAFN08916		BUSHING -	2,00			--
0047	VTVT13937		SCREW TE M 8X 30 INX UNI 5739	2,00			--
0048	MOMO00241		MOTOR BRUSH CT15	1,00		08/07/2012	--
0048	MOMO00246		MOTOR 230V	1,00	09/07/2012		--
0048	MEVR01750		CAP -	1,00	09/07/2012		--
0048	MEVR01749		CARBON -	2,00	09/07/2012		--
0049	MPVR05827		COVER BRUSH HEAD CT15	1,00			--
0050	SPPV01287		BRUSH NYLON CT15 d.350	1,00			--
0051	VTVT01300		SCREW TE M5X12 INOX	3,00			--
0052	VTRS13750		WASHER D. 5X14 INX	3,00			--
0053	LAFN08888		SUPPORT -	1,00			--
0054	VTRS15908		WASHER D. 5 INX GRW UNI 1751	3,00			--
0055	VTVT15515		SCREW TE M 6X 50 INOX A2	2,00			--
0056	MPVR05832		WHEEL -	2,00	01/04/2011		--
0057	VTRS13750		WASHER D. 5X14 INX	2,00	01/04/2011		--
0058	VTVT48694		SCREW TCB TC 5 X12 UNI 9707 TZ	2,00	01/04/2011		--
0059	VTVT01300		SCREW TE M5X12 INOX	2,00	20/11/2012		--
0060	VTRS13750		WASHER D. 5X14 INX	2,00	20/11/2012		--
0061	MPVR06259		BRACKET -	1,00	20/11/2012		--
0062	MPVR06257		COVER BRUSH MOTOR CT15	1,00	20/11/2012		--
0063	MPVR06045		CONVEYOR -	1,00	12/09/2013	18/09/2017	--



Ref. K	Part n.	Part n. 2	Description	Quantity	Validity		Price
					From	To	
0001	VTVT01371		SCREW 4,8X19	14,00			--
0002	MPVR06047		CRANKCASE -	1,00			--
0003	MPVR06056		GEAR -	1,00			--
0004	VTVT75724		SCREW TBCE ISO 7380 8X22 ZB	4,00			--
0005	MPVR06053		SHELL DX	1,00			--
0006	VTDD00124		NUT M8 DIN985	4,00			--
0007	MPVR06055		COVER -	2,00			--
0008	MPVR06057		FAIR-LEAD HANDLE CT15	1,00			--
0009	MPVR06054		SHELL SX	1,00			--
0010	MPVR06049		LEVER DX	1,00			--
0011	MPVR06298		SUPPORT ELECTRONIC CARD	1,00			--
0012	MPVR06048		LEVER SX	1,00			--
0013	ETET01781		LABEL -	1,00			--
0014	MLML00336		SPRING -	1,00			--
0015	MECI36393		MICROSWITCH ACTIVATION TRCTN.	1,00			--
0016	MPVR06050		LEVER ADJUSTMENT	1,00			--
0017	LAFN09221		LEVER RINVIO	1,00			--
0018	MLML00337		SPRING -	1,00			--
0019	MPVR06052		HANDLE SUPPORT	1,00			--
0020	MECE00537		BOARD LOGIC CT15-CT30 230V	1,00			--
0021	MECB01324		WIRING PUSH BOTTON CT45 C	1,00			--
0022	MECB01257		CABLE RIBBON CT15	1,00		25/11/2015	--
0022	MECB01396		WIRING RIBBON ROUND FLAT CT15-30	1,00	26/11/2015		--
0023	MPVR06046		CRANKCASE NEW HANDLE FRONT 15-30-45	1,00			--
0024	VTVT00800		SCREW TC 4X12 ZN	1,00			--
0025	VTRS00251		WASHER 4-16 INOX A2	1,00			--
0026	LAFN09248		PIN -	1,00			--
0027	CMCV00463		CABLE LIFTING SQUEEGEE CT15-30	1,00			--
0028	MPVR49942		LEVER SQUEEGEE LIFTING PP	1,00			--
0029	VTVT00796		SCREW TC 6X12	1,00			--
0030	VTVT63035		SCREW TCEI M8X25 BRUNITA	1,00			--
0031	VTRS00230		WASHER D. 8	1,00			--
0032	MPVR34714		CABLE SUPPOT E 350	1,00			--
0033	VTVT48694		SCREW TCB TC 5 X12 UNI 9707 TZ	4,00			--
0034	LAFN09222		BRACKET -	1,00			--
0035	LAFN08895		FRAME -	1,00			--
0036	LAFN08915		BUSHING -	2,00			--
0037	RTRT00537		WHEEL GRAY d.250 CT15-30-45	2,00			--
0038	VTRS00512		WASHER D. 8 X24 ZC.	2,00			--
0039	VTVT01110		SCREW TE 8X16 UNI5739	2,00			--
0040	RCVR00780		HOSE FITTING 1/4"	1,00		19/05/2013	--
0040	RCVR00786		CONNECTOR -	1,00	20/05/2013		--
0041	FTAC00044		FILTER CT15-CT30	1,00		13/05/2018	--
0041	FTAC00075		FILTER COMPLETE CT15-30-45 P2,3	1,00	14/05/2018		--



Ref. K	Part n.	Part n. 2	Description	Quantity	Validity		Price
					From	To	
0042	RCVR00780		HOSE FITTING 1/4"	1,00		19/05/2013	--
0042	RCVR00786		CONNECTOR -	1,00	20/05/2013		--
0043	TBBP00482		TUBE -	1,00			--
0044	RCVR00084		CONNECTOR A "L"	1,00		19/01/2014	--
0044	RCVR00004		CONNECTOR PORTAGOMMA 1/8" D.7	1,00	20/01/2014		--
0045	RCDS00045		CONNECTOR -	1,00			--
0046	PMVR01887		SOLENOID VALVE CT15	1,00			--
0047	VTVT48694		SCREW TCB TC 5 X12 UNI 9707 TZ	2,00		15/05/2013	--
0047	VTDD00055		NUT M 4 ATB A2	2,00	16/05/2013		--
0048	VTRS00274		WASHER NYLON 66 D.8,4-17-2 UNI	2,00		15/05/2013	--
0048	VTVT15924		SCREW M4X16 UNI7687	2,00	16/05/2013		--
0049	RCDS00045		CONNECTOR -	1,00			--
0050	RCVR00004		CONNECTOR PORTAGOMMA 1/8" D.7	1,00			--
0051	TBBP00483		TUBE -	1,00			--
0052	LAFN07948		PROTECTION SOLENOID VALVE	1,00	16/05/2013		--
0053	ETET01775		LABEL CT15 BLUE	1,00			--
0053	ETET01773		LABEL CT15 RED	1,00			--
0053	ETET01770		LABEL CT15 GREEN	1,00			--
0054	ETET01775		LABEL CT15 BLUE	1,00			--
0054	ETET01773		LABEL CT15 RED	1,00			--
0054	ETET01770		LABEL CT15 GREEN	1,00			--
0055	ETET01774		LABEL CT15 BLUE	1,00			--
0055	ETET01772		LABEL CT15 RED	1,00			--
0055	ETET01769		LABEL CT15 GREEN	1,00			--
0056	LAFN11049		HOOK -	1,00	29/04/2016		--
0057	GUGO00508		GASKET 30X15	1,00	17/02/2017		--
0058	MECB01274		CABLE POWER CORD EU PLUG 15MT	1,00			--