

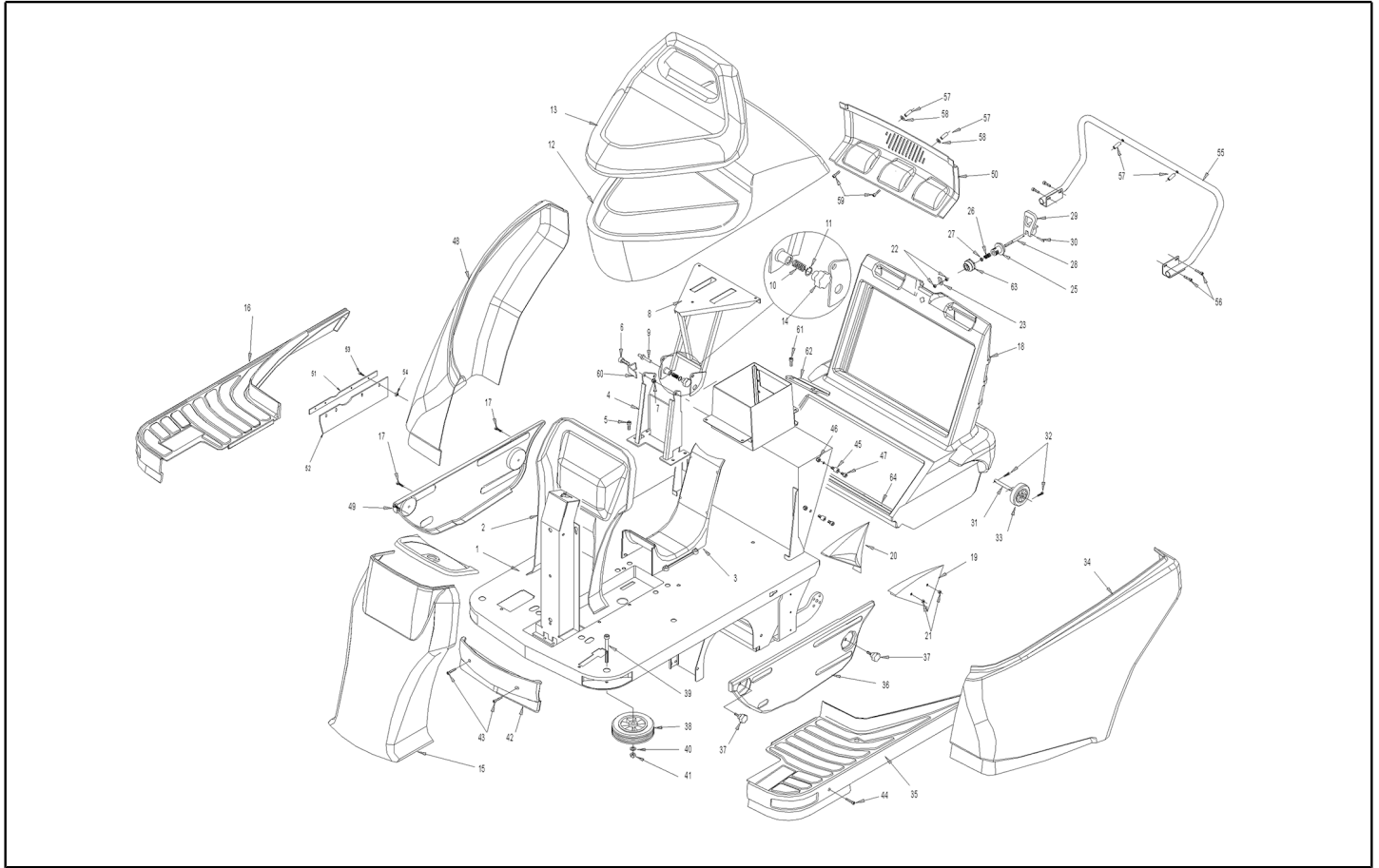


**IPC**

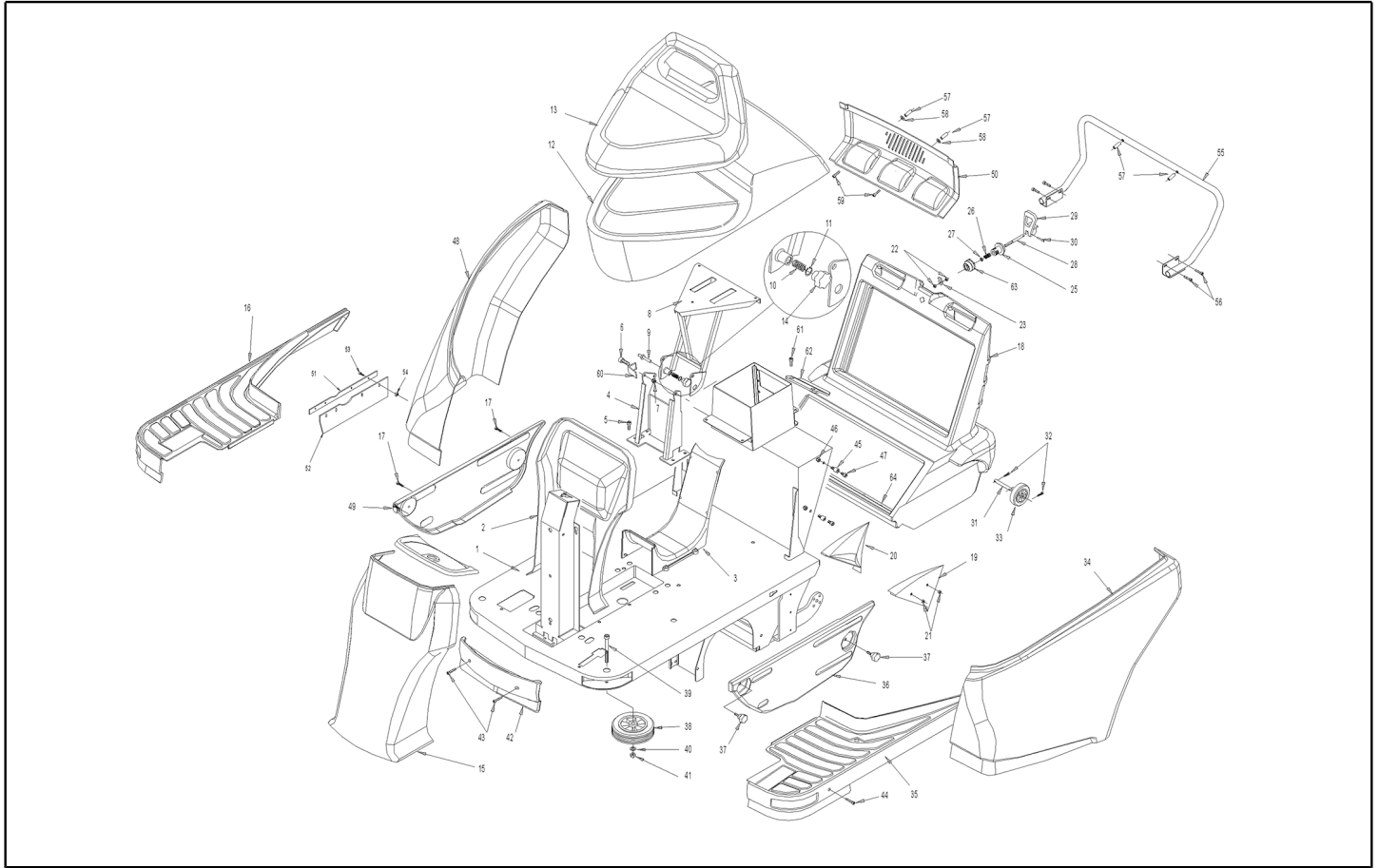
**Spare parts list**

Ref: MSUB00071

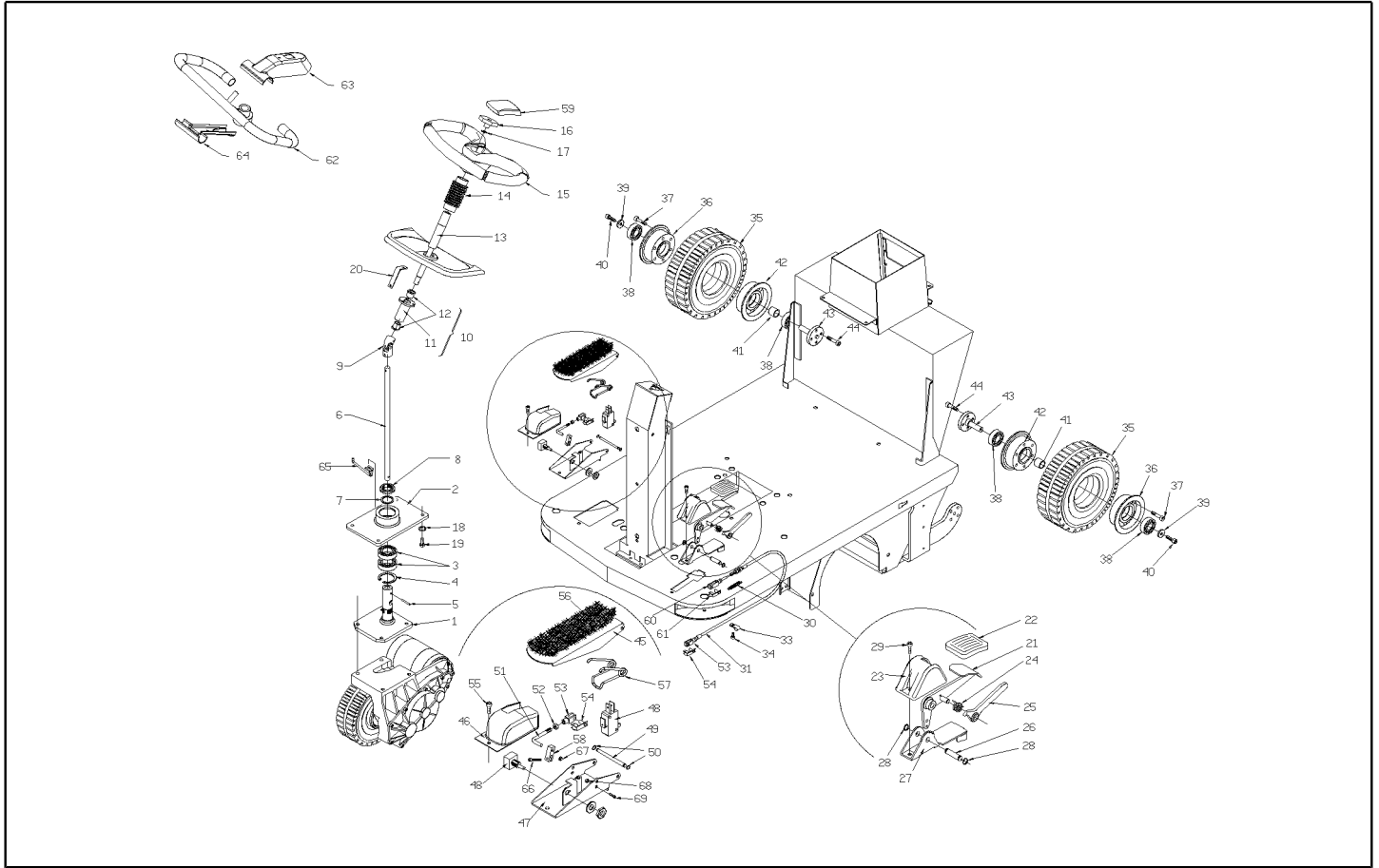
Model: SWEEPER G1050 E 2SP GR/GR



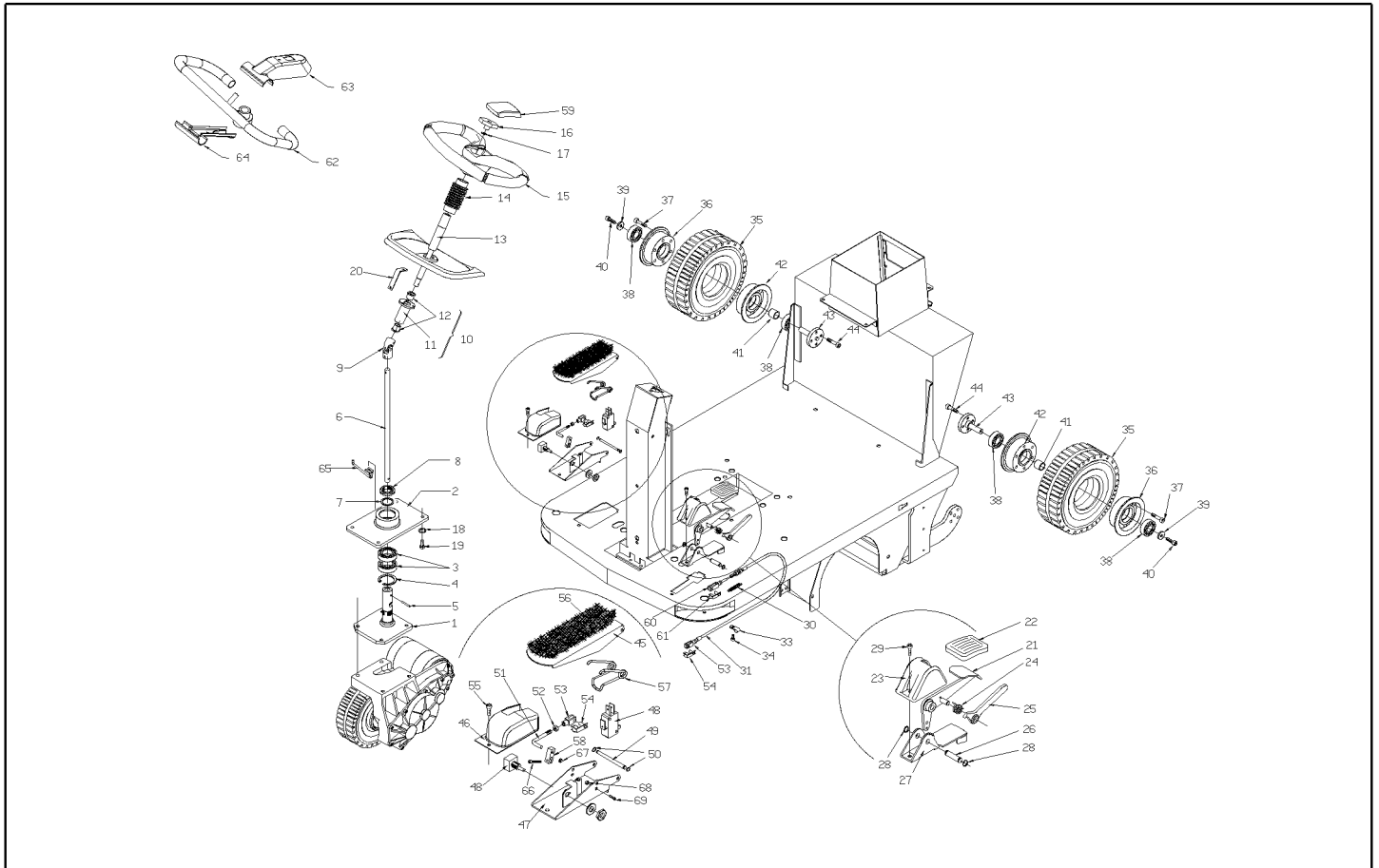
Ref. K	Part n.	Part n. 2	Description	Quantity	Validity		Price
					From	To	
0001	LAFN01029		FRAME TK1050 VERNICIATO	1,00			--
0002	MPVR00859		CRANKCASE FRONTALE INTERNO G1050	1,00			--
0003	MPVR00851		TUNNEL CENTRALE G1050 TEKNOVA	1,00			--
0004	LAFN01153		COLUMN PORTASEDILE G1050	1,00			--
0005	VTVT29810		SCREW TCCE UNI 5931 8X20 ZB	4,00			--
0006	VTVT00456		SCREW TE UNI 5739 10X25 ZB	2,00			--
0007	VTDD00042		NUT AUT.M10 UNI7474	2,00			--
0008	LAFN01151		PEDAL TEKNOVA G1050	1,00			--
0009	LAFN00526		PIN BLOCCO PORTASEDILE TK1050	1,00			--
0010	MLML00028		SPRING PERNO BLOCCO PORTASEDILE	1,00			--
0011	VTAE00016		SEEGER INTERNO DIN 472 D.13	1,00			--
0012	MPVR00857		HOOD SUPERIORE G1050	1,00			--
0013	MPVR00850		SEAT G1050 TEKNOVA	1,00			--
0014	VTVT00127		HANDWHEEL D.30 M6	1,00			--
0015	MPVR00862		CRANKCASE FRONTALE ESTERNO G1050	1,00			--
0016	MPVR00853		PLANE DX G1050	1,00			--
0017	VTVT09916		SCREW TBCE ISO 7380 6X20 ZB	2,00			--
0018	MPVR00304		DRAWER RIFIUTI TK1050	1,00			--
0019	PMVR00501		CONVEYOR CASSETTO SX	1,00			--
0020	PMVR00502		CONVEYOR CASSETTO DX	1,00			--
0021	VTDD00010		NUT AUTOBLOK DIN 985 M6 BASSO	4,00			--
0022	VTDD13261		NUT UNI 5589 M8 BASSO ZB	2,00			--
0023	LAFN01177		BRACKET FERMA CASSETTO	1,00			--
0024	LAFN01189		RING NUT FISSA GANCIO CASSETTO	1,00		28/02/2006	--
0025	LAFN00338		RING NUT GANCIO CASSETTO TK1050	1,00			--
0026	MLML00036		SPRING GANCIO CASSETTO	1,00			--
0027	LAFN75909		SPACER D.12 H.3,5	1,00			--
0028	LAFN00525		PIN TIRANTE TK1050	1,00			--
0029	MPVR00865		HANDLE CASSETTO RIFIUTI	1,00			--
0030	VTVR00055		PLUG D.4 H.32	1,00			--
0031	LAFN00532		WHEEL PIN CASSETTO	2,00			--
0032	VTVT19236		SCREW TCCE UNI 5931 5X20 ZB	4,00		27/02/2019	--
0032	VTVT00339		SCREW TCEI M5x20	4,00	28/02/2019		--
0033	RTRT00016		WHEEL SCIOLTE 80/30/G NERE	2,00			--
0034	MPVR00861		SIDE PANEL LATERALE SX G1050	1,00			--
0035	MPVR00854		PLANE SX G1050	1,00			--
0036	MPVR00856		PLANE SX G1050	1,00			--
0037	VTVT00125		HANDWHEEL D.40 M6X15	2,00			--
0038	RTRT00038		WHEEL D.150X32	2,00			--
0039	VTVT01575		SCREW TCCE UNI 5931 10X60 ZB	2,00			--
0040	VTRS00012		WASHER UNI 6592 10X21 ZB	2,00			--
0041	VTDD00011		NUT AUTOBLOK DIN 985 M10	2,00			--
0042	MPVR00852		BUMPER ANTERIORE G1050 TEKNOVA	1,00			--
0043	VTVT00034		SCREW TBCE ISO 7380 6X35 ZB	2,00			--



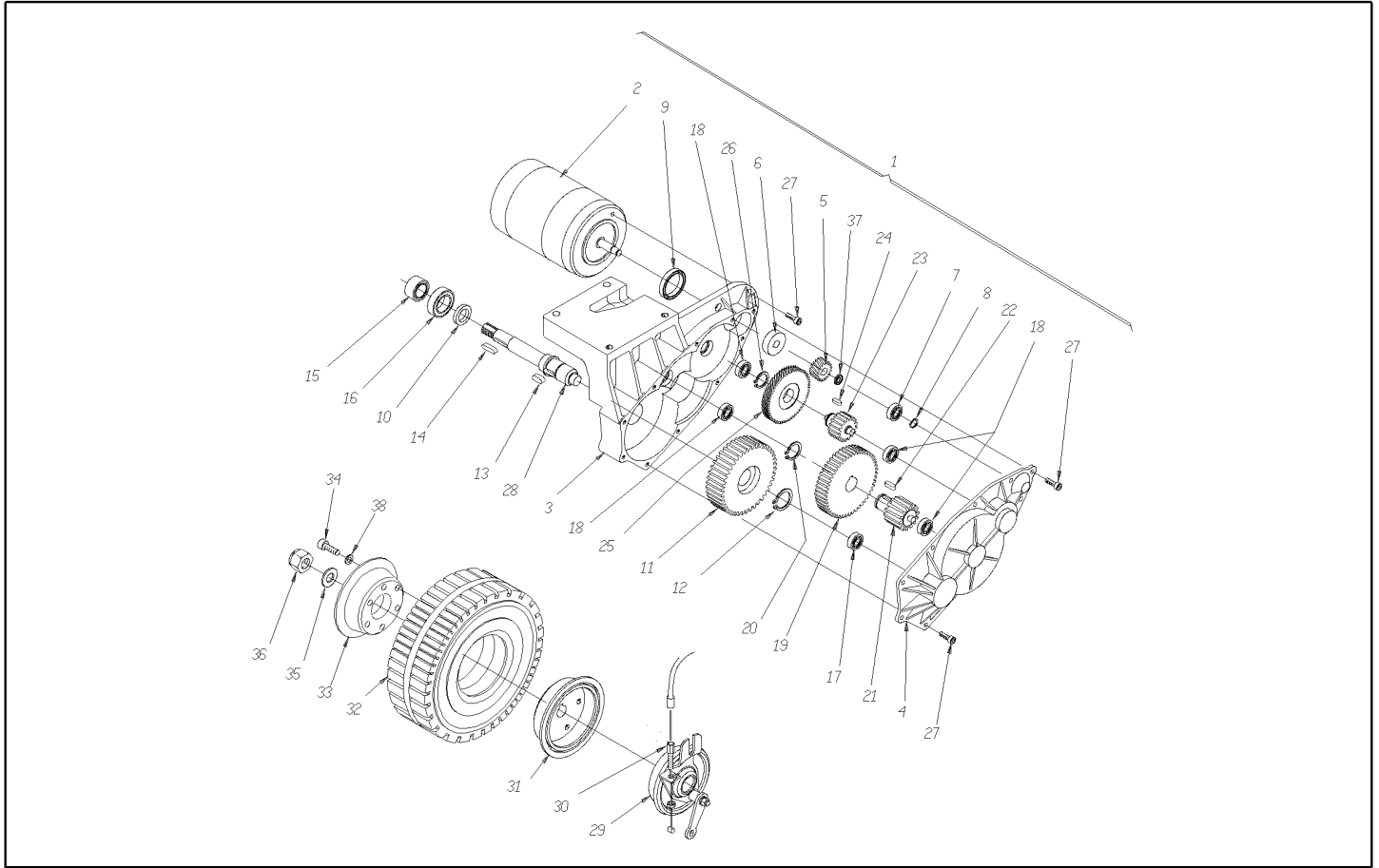
Ref. K	Part n.	Part n. 2	Description	Quantity	Validity		Price
					From	To	
0044	VTVT09916		SCREW TBCE ISO 7380 6X20 ZB	4,00			--
0045	LAFN01187		SPACER FISSA FIANCATA G1050	4,00			--
0046	VTDD00010		NUT AUTOBLOK DIN 985 M6 BASSO	4,00			--
0047	VTVT75725		SCREW TBCE ISO 7380 6X10 ZB	4,00			--
0048	MPVR00860		SIDE PANEL LATERALE DX G1050	1,00			--
0049	MPVR00855		PLANE DX G1050	1,00			--
0050	MPVR00888		CRANKCASE SUPERIORE VENTILAZIONE	1,00			--
0051	LAFN10992		SHEET METAL PA. FISSA FLAP	1,00	10/09/2005		--
0052	MPVR05074		FLAP PORTELLO DX	1,00	10/09/2005		--
0053	VTVT45339		SCREW TBCE ISO 7380 5X16 ZB	4,00	10/09/2005		--
0054	VTDD78364		NUT M5 AUTOBLOCCANTE	4,00	10/09/2005		--
0055	LAFN10991		BUMPER POSTERIORE	1,00	10/09/2005		--
0056	VTVT00527		SCREW TE FR 6X10 ZB ZIG.	4,00	10/09/2005		--
0057	LAFN10994		SPACER FISSA PARAU RTI	2,00	10/09/2005		--
0058	VTRS00512		WASHER D. 8 X24 ZC.	2,00	10/09/2005		--
0059	VTVT28306		SCREW TCCE UNI 5931 8X45 ZB	2,00	10/09/2005		--
0060	LAFN01188		BRACKET FISSA CARENA	2,00			--
0061	VTVT08937		SCREW TCCE UNI 5931 6X10 ZB	2,00	01/03/2006		--
0062	LAFN07037		BRACKET CENTRAGGIO CASSETTO	1,00	01/03/2006		--
0063	LAFN07036		CONE CENTRAGGIO CASSETTO	1,00	01/03/2006		--
0064	LAFN06694		SHEET METAL PA. RINFORZO CASSETTO	1,00	01/03/2006		--



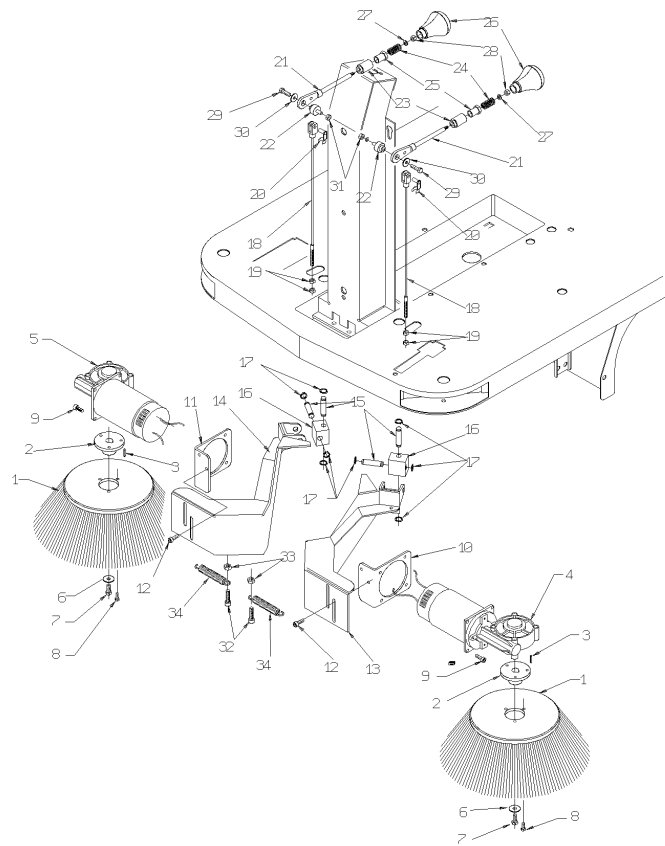
Ref. K	Part n.	Part n. 2	Description	Quantity	Validity		Price
					From	To	
0001	LAFN00806		SUPPORT MOTORUOTA	1,00			--
0002	LAFN01167		DOOR CUSCINETTI	1,00			--
0003	CUVR00025		BEARING 6006 2RS 30X55X13	2,00			--
0004	VTAE00015		SEEGER INTERNO DIN 472 D.55	1,00			--
0005	VTVR46987		ELASTIC PLUG DIN 1481 5X25	1,00			--
0006	ALTR00039		SHAFT STERZO G1050	1,00			--
0007	LAFN01173		SPACER RALLA STERZO	1,00			--
0008	VTVT00114		RING NUT AUTOBLOK M30X1,5 GUK	1,00			--
0009	VTVR00057		ARTICULATION STEERING	1,00			--
0010	PMTR00077		BUSHING PORTA PIANTONE VOLANTE	1,00			--
0011	LAFN00149		BUSHING PORTA PIANTONE TK1050 ZIN	1,00			--
0012	LAFN75841		BUSHING CENTR.PIGNONE RUOTA ANT.	2,00			--
0013	ALTR00031		SHAFT PER VOLANTE TK 1050 ZINC.	1,00			--
0014	MPVR47066		PROTECTOR X ALBERO SPAZZOLA TK1000	1,00			--
0015	MPVR00832		STEERING WHEEL TK1050	1,00		05/12/2005	--
0016	LAFN01183		SCREW FISSA VOLANTE G1050	1,00			--
0017	VTRS00012		WASHER UNI 6592 10X21 ZB	1,00			--
0018	VTRS00020		WASHER GOWER UNI 1751 UNI 1751	4,00			--
0019	VTVT00015		SCREW TE UNI 5739 8X25 ZB	4,00			--
0020	LAFN01184		BRACKET FISSA CRUSCOTTO	1,00			--
0021	LAFN00802		PEDAL FRENO SX 1050	1,00			--
0022	MPVR45096		PEDAL COVER GRANDE V1021	1,00			--
0023	MPVR00303		CRANKCASE COPRIPEDALE FRENO	1,00			--
0024	MLML00035		SPRING RICHIAMO PEDALE B.F.G1050	1,00			--
0025	LAFN01147		PEDAL BLOCCO G1050	1,00			--
0026	LAFN00536		PIN PEDALE FRENO	1,00			--
0027	LAFN00821		SHEET METAL PA. SUPP.PEDALE FRENO TK1050	1,00			--
0028	VTAE87276		SEEGER EXT. D10 DIN471	2,00			--
0029	VTVT09916		SCREW TBCE ISO 7380 6X20 ZB	1,00			--
0030	MLML37337		SPRING TRAZIONE TENDICINGH.ZB	1,00		02/09/2012	--
0030	MLML45109		SPRING ALZAFLAP TK1400	1,00	03/09/2012		--
0031	CMCV00054		CABLE FRENO G1050	1,00			--
0033	FSVR00005		CLAMP TIPO "ECO"FORO MM8 D.1 W0	1,00			--
0034	VTVT75719		SCREW TE FR 6X10 ZB ZIGRINATE	1,00			--
0035	RTRT00034		RING GOMMA RUOTA NERA	2,00			--
0036	LAFN85290		HUB ruota 124x57,5	2,00			--
0037	VTVT00066		SCREW TCCE UNI 5931 8X25 ZB	12,00			--
0038	CUVR00005		BEARING 6202 2RS	4,00			--
0039	VTRS63242		WASHER UNI 6593 6X24X2 ZB	2,00			--
0040	VTVT75726		SCREW TBCE ISO 7380 6X16 ZB	2,00			--
0041	LAFN00275		SPACER INTERNO RUOTA POST.TK1300	2,00			--
0042	LAFN85380		HUB RUOTA POST.D124 H.33,5	2,00			--
0043	LAFN00530		WHEEL PIN POSTERIORE LARGGA TK1050	2,00			--
0044	VTVT45340		SCREW TSCE UNI 5933 8X16 ZB	8,00			--



Ref. K	Part n.	Part n. 2	Description	Quantity	Validity		Price
					From	To	
0045	LAFN00807		SHEET METAL PA. SOTTO PEDALE ZIN.TK1050	1,00		27/07/2006	--
0045	LAFN06474		SHEET METAL PA. PEDALE	1,00	28/07/2006		--
0046	MPVR00302		CRANKCASE PEDALE AVANZAMENTO	1,00			--
0047	LAFN00801		PEDAL AVANZAMENTO 1050	1,00		27/07/2006	--
0047	LAFN06473		SHEET METAL PA. PEDALE	1,00	28/07/2006		--
0048	MECB00124		WIRING PEDALE ACCELERATORE	1,00			--
0049	LAFN00524		PIN PEDALE TK 1050	1,00			--
0050	VTAE48552		CIRCLIP ESTERNO DIN 471 D.6	2,00			--
0051	LAFN00909		BRACKET BIELLETTA PEDALE	1,00			--
0052	VTDD00004		NUT M 6 ZC UNI5588	1,00			--
0053	CMCV76639		FORK M 6 UNI 1676	2,00			--
0054	CMCV75717		CLIP UNI 1676 M6	2,00			--
0055	VTVT62920		SCREW TE FR 6X16 ZB ZIGRINATE	1,00			--
0056	MPVR00866		PLANE ANTISDRUCCIOLO G1050	1,00			--
0057	MLML00034		SPRING PEDALE AVANZAMENTO G1050	1,00			--
0058	LAFN01149		CONNECTING ROD PEDALE AVANZAMENTO G1050	1,00			--
0059	MPVR00869		COVER VOLANTE G1050	1,00		05/12/2005	--
0060	CMCV00006		FORK UNI 1676 M6X24	1,00			--
0061	CMCV00009		CLIP UNI 1676	1,00			--
0062	SESD00022		STEERING WHEEL G1050 USA COMPLETO	1,00	06/12/2005		--
0063	MPVR04652		COVER SUPERIORE VOLANTE	1,00	06/12/2005		--
0064	MPVR04653		COVER INFERIORE VOLANTE	1,00	06/12/2005		--
0065	LAFN07038		ASSEMBLED GUIDA CAVO FRENO	1,00	01/03/2006		--
0066	VTVT00704		SCREW TE M 4X 16 UNI5739 INOX	1,00			--
0067	VTDD00055		NUT M 4 ATB A2	1,00			--
0068	VTDD04369		NUT M 4 TEF UNI 7473	2,00	01/08/2006		--
0069	VTVT00089		SCREW TCCE UNI 5931 4X10 ZB	2,00	01/08/2006		--



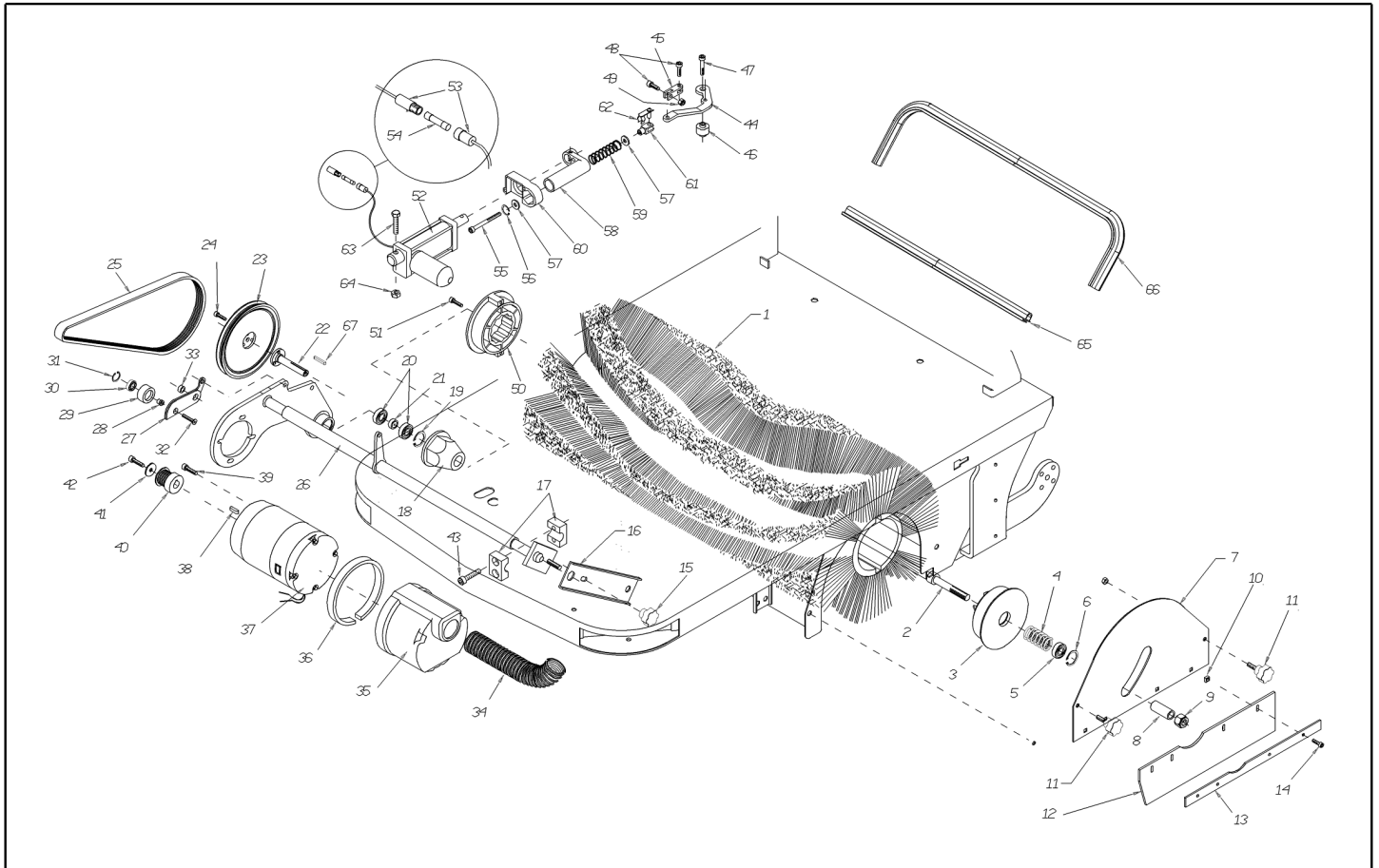
Ref. K	Part n.	Part n. 2	Description	Quantity	Validity		Price
					From	To	
0001	PMTR00079		GROUP MOTORUOTA COMPLETO	1,00			--
0002	MOCC00029		MOTOR MOTORUOTA 24V 400W	1,00			--
0003	MFVR00020		SUPPORT MOTORUOTA	1,00			--
0004	MFVR00019		COVER MOTORUOTA G 1050	1,00			--
0005	MTCR00010		PINION MOTORE Z=18 M=1.5	1,00			--
0006	CUVR00008		BEARING 6003 2RS	1,00			--
0007	CUVR00024		BEARING 609 9x24x7	1,00			--
0008	VTAE00014		CIRCLIP D. 9 UNI 7435	1,00			--
0009	GUVR00025		PACKING 35x45x7	1,00			--
0010	GUVR00026		PACKING 20x30x5	1,00			--
0011	MTCR00006		BRAKE MODULO 2.5	1,00			--
0012	VTAE09655		SEEGER ESTERNO DIN 471 D.25	1,00			--
0013	VTVR00052		KEY UNI 6604 8X7X18	1,00			--
0014	VTVR23472		KEY UNI 6604 6X6X25	1,00			--
0015	CUVR00021		BEARING 20X32X16 NKI2016	1,00			--
0016	CUVR00022		BEARING 25x42x11 51105	1,00			--
0017	CUVR00023		BEARING 6002 15x32x9	1,00			--
0018	CUVR00024		BEARING 609 9x24x7	3,00			--
0019	MTCR00011		BRAKE MODULO 2	1,00			--
0020	VTAE33674		SEEGER ESTERNO DIN 471 D.22	1,00			--
0021	MTCR00008		PINION MODULO 2.5	1,00			--
0022	VTVR00053		KEY UNI 6604 6X6X18	1,00			--
0023	MTCR00009		PINION MODULO 2	1,00			--
0024	VTVR00054		KEY UNI 6604 5X5X10	1,00			--
0025	MTCR00007		BRAKE Z=45 M=1.5	1,00			--
0026	VTAE76740		SEEGER ESTERNO DIN 471 D.20	1,00			--
0027	VTVT00123		SCREW TCCE UNI5931 6X16 AC.8.8	10,00			--
0028	LAFN01162		PIN RUOTA	1,00			--
0029	VTVR00051		BRAKE d.90 G1050	1,00			--
0030	CMCV75723		REGISTER D.7	1,00			--
0031	MFVR00014		HUB RUOTA TK 1050	1,00			--
0032	RTRT00036		RING GOMMA RUOTA ANT. NERA	1,00			--
0033	LAFN85380		HUB RUOTA POST.D124 H.33.5	1,00			--
0034	VTVT00074		SCREW TCCE UNI 5931 8X16 ZB	5,00			--
0035	VTRS000508		WASHER UNI 6592 16x32 ZB	1,00			--
0036	VTDD01689		NUT AUTOBLOK DIN 982 M16 ALTO	1,00			--
0037	LAFN01166		WASHER SPALLAMENTO PIGNONE	1,00			--
0038	VTRS00020		WASHER GOWER UNI 1751 UNI 1751	5,00			--



Ref. K	Part n.	Part n. 2	Description	Quantity	Validity		Price
					From	To	
0001	SPPV75790		SIDE-BRUSH LATERALE TK1000 PPL	2,00			--
0002	LAFN45010		FLANGE FISS.SPAZZ.LAT.TK1000	2,00			--
0003	VTVR13165		KEY UNI 6604 5X5X20	2,00			--
0004	MOCC00031		MOTOR.GEARBOX AOMPI40 24V 60W SX G1050	1,00			--
0005	MOCC00032		MOTOR.GEARBOX AOMPI40 24V 60W DX G1050	1,00			--
0006	VTRS63242		WASHER UNI 6593 6X24X2 ZB	2,00			--
0007	VTVT75719		SCREW TE FR 6X10 ZB ZIGRINATE	2,00			--
0008	VTVT62920		SCREW TE FR 6X16 ZB ZIGRINATE	6,00			--
0009	VTVT09913		SCREW TCCE UNI 5931 6X16 ZB	8,00			--
0010	LAFN00809		PLATE PORTASPAZZ.LAT.SX TK1050	1,00			--
0011	LAFN00808		PLATE PORTASPAZZ.LAT.DX TK1050	1,00			--
0012	VTVT75719		SCREW TE FR 6X10 ZB ZIGRINATE	4,00			--
0013	LAFN00800		SUPPORT LATERALE SX 1050 ZINCATO	1,00			--
0014	LAFN00798		SUPPORT LATERALE DX 1050 ZINCATO	1,00			--
0015	LAFN01148		PIN SPAZZOLE LATERALI	4,00			--
0016	LAFN00154		BLOCK BRACCI SPAZZ.LAT.TK1050	2,00			--
0017	VTAE87276		SEEGER EXT. D10 DIN471	8,00			--
0018	CMCV00053		CABLE ALZASPAZZOLE LATERALI	2,00			--
0019	VTDD00004		NUT M 6 ZC UNI5588	4,00			--
0020	CMCV00009		CLIP UNI 1676	2,00			--
0021	LAFN00803		ARM ALZASPAZZOLA LATER.1050	2,00			--
0022	LAFN00153		BUSHING LEVA ALZA SPAZZ.LAT.ZINC.	2,00			--
0023	MPVR00081		BUSHING MANOVRA TK1050	2,00			--
0024	MLML00027		SPRING POMOLO SPAZZ.CENTRALE	2,00			--
0025	LAFN00523		SPRING HOLDER BRUSH LIFT	2,00			--
0026	MPVR00886		SMALL KNOB SPAZZOLA LATERALE G1050	2,00			--
0027	VTRS00010		WASHER UNI 6592 5X10 ZB	2,00			--
0028	VTDD00017		NUT AUTOBLOK DIN 985 M5	2,00			--
0029	VTVT12255		SCREW TCCE UNI 5931 6X25 ZB	2,00			--
0030	VTRS86634		WASHER UNI 6593 6X18X1,5 ZB	2,00			--
0031	VTDD19688		NUT M6 UNI 7473	2,00			--
0032	VTVT00016		SCREW TE UNI 5739 8X30 ZB	2,00			--
0033	VTDD87083		NUT AUTOBLOK DIN 985 M8 BASSO	2,00			--
0034	MLML45102		SPRING BRACCIO SPAZZ.LAT.TK1400	2,00			--

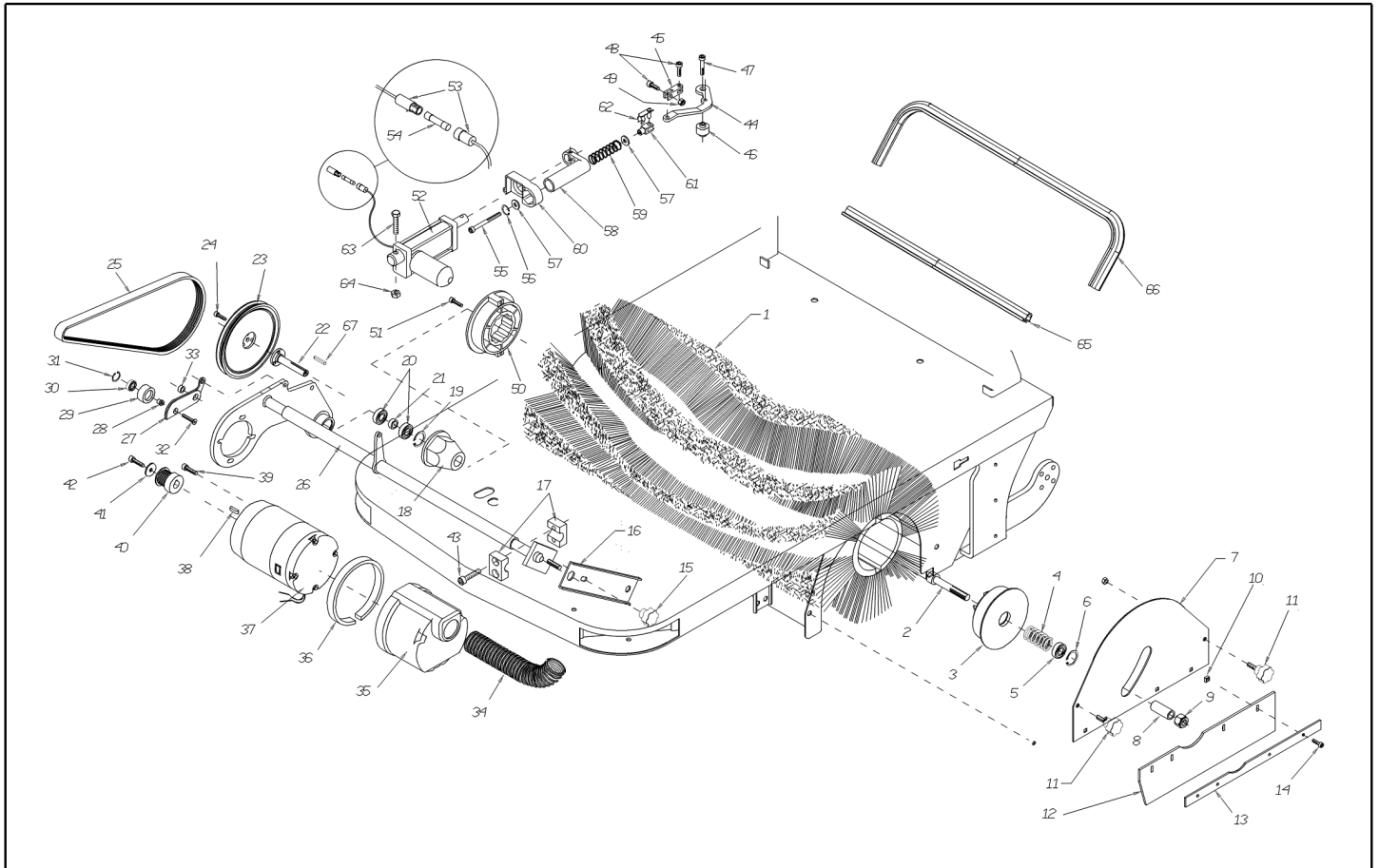
Table: CENTRAL BRUSH

Progressive number: 1

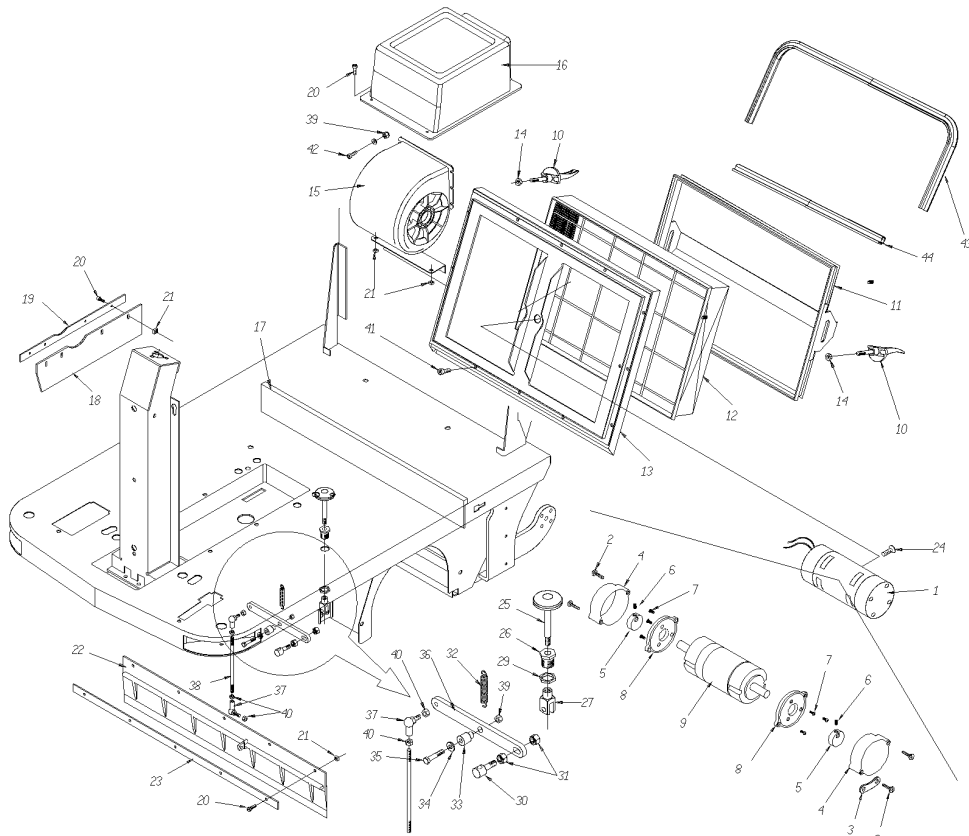


Ref. K	Part n.	Part n. 2	Description	Quantity	Validity		Price
					From	To	
0001	SPPV00056		CENTRAL BRUSH D.280X640 6R0.PPL 0.5/1.2	1,00			--
0002	VTVT00131		SCREW TCCE UNI 5931 12X60 ZB	1,00			--
0003	LAFN44772		SUPPORT SPAZ.CENTR.1400/1300/1200	1,00			--
0004	MLML45098		SPRING SPAZZ.CENTRAL.D.25X3zb	1,00			--
0005	CUVR46942		BALL BEARING 6001-2RS1 -SKF	1,00			--
0006	VTAE00010		SEEGER INTERNO DIN 472 D.28	1,00			--
0007	LAFN00810		PLANE SPAZZOLA CENTRALE	1,00		09/09/2005	--
0007	LAFN06356		PLANE SPAZZOLA CENTRALE	1,00	10/09/2005		--
0008	LAFN01169		SPACER S.C.	1,00			--
0009	VTDD00012		NUT AUTOBLOK DIN 985 M12 ZB	1,00			--
0010	VTVR47015		INSERT PLASTICA (MEDREVITE)	4,00			--
0011	RTRT00022		HANDWHEEL D.30 M6X15	2,00			--
0012	MPVR00759		FLAP LATERALE DX/SX NERO	1,00		09/09/2005	--
0012	MPVR04710		FLAP LATERALE DX/SX NERO	1,00	10/09/2005		--
0013	LAFN00325		CLAMP FLAP LATER.TK1050 ZINC.	1,00			--
0014	VTVT00106		SCREW AUTOFIL. TC 3,5X14,5	4,00			--
0015	VTVT00124		HANDWHEEL D.40 M8	1,00			--
0016	LAFN00816		ARM ASPORT.SPAZZ.CENTR.ZINC.	1,00			--
0017	LAFN47055		HOSE COLLAR C3 D.18 SOLO PVC	4,00			--
0018	LAFN44774		HUB 1050	1,00			--
0019	VTAE00010		SEEGER INTERNO DIN 472 D.28	1,00			--
0020	CUVR46942		BALL BEARING 6001-2RS1 -SKF	2,00			--
0021	LAFN46932		SPACER CUSCINETTI ALB.SPAZ.CENT.	1,00			--
0022	LAFN00531		BRUSH PIN CENTRALE TK1050	1,00			--
0023	MTPL00023		PULLEY SPAZZOLA CENTRALE	1,00			--
0024	VTVT75725		SCREW TBCE ISO 7380 6X10 ZB	3,00			--
0025	MTCG00018		BELT POLY PJ724/285J	1,00			--
0026	LAFN00804		ARM PORTASPAZZ.CENTR.1050 ZIN	1,00			--
0027	LAFN00357		ARM TENDICIN.SPAZZ.CENTR.1050	1,00		12/01/2010	--
0027	LAFN07759		REINFORCEMENT -	1,00	13/01/2010		--
0028	LAFN00527		PIN CUSCINET.TENDICING.TK1050	1,00			--
0029	LAFN00636		ROLLER TENDICINGHIA TK1050	1,00			--
0030	CUVR71988		BEARING 608 2RS	1,00			--
0031	VTAE00008		SEEGER INTERNO DIN 472 D.26	1,00			--
0032	VTVT00075		SCREW TSCE UNI 5933 5X20 ZB	1,00			--
0033	LAFN01168		BUSHING PERNO TENDICINGHIA	1,00			--
0034	TBFX00005		TUBE CONVOGLIATORE ARIA	1,00		14/06/2006	--
0035	MPVR00301		COWLING MOTORE SPAZZ.CENTRALE	1,00		14/06/2006	--
0036	GLUVR00023		GASKET AUTOADESIVA	1,00		14/06/2006	--
0037	MOCC00030		MOTOR SPAZZOLA CENTRALE G1050	1,00		14/06/2006	--
0037	MOCC00297		MOTOR 300W	1,00	15/06/2006		--
0038	VTVR13165		KEY UNI 6604 5X5X20	1,00			--
0039	VTVT06237		SCREW TCCE UNI 5931 6X20 ZB	4,00			--
0040	MTPL00022		PULLEY MOTORE SPAZZ.CENTR TK1050	1,00			--

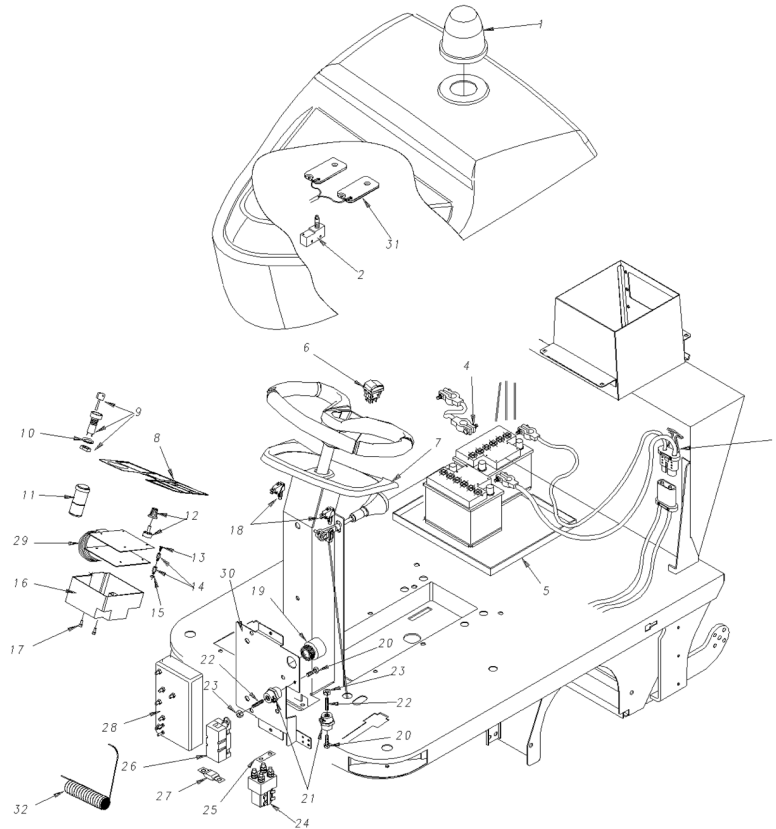




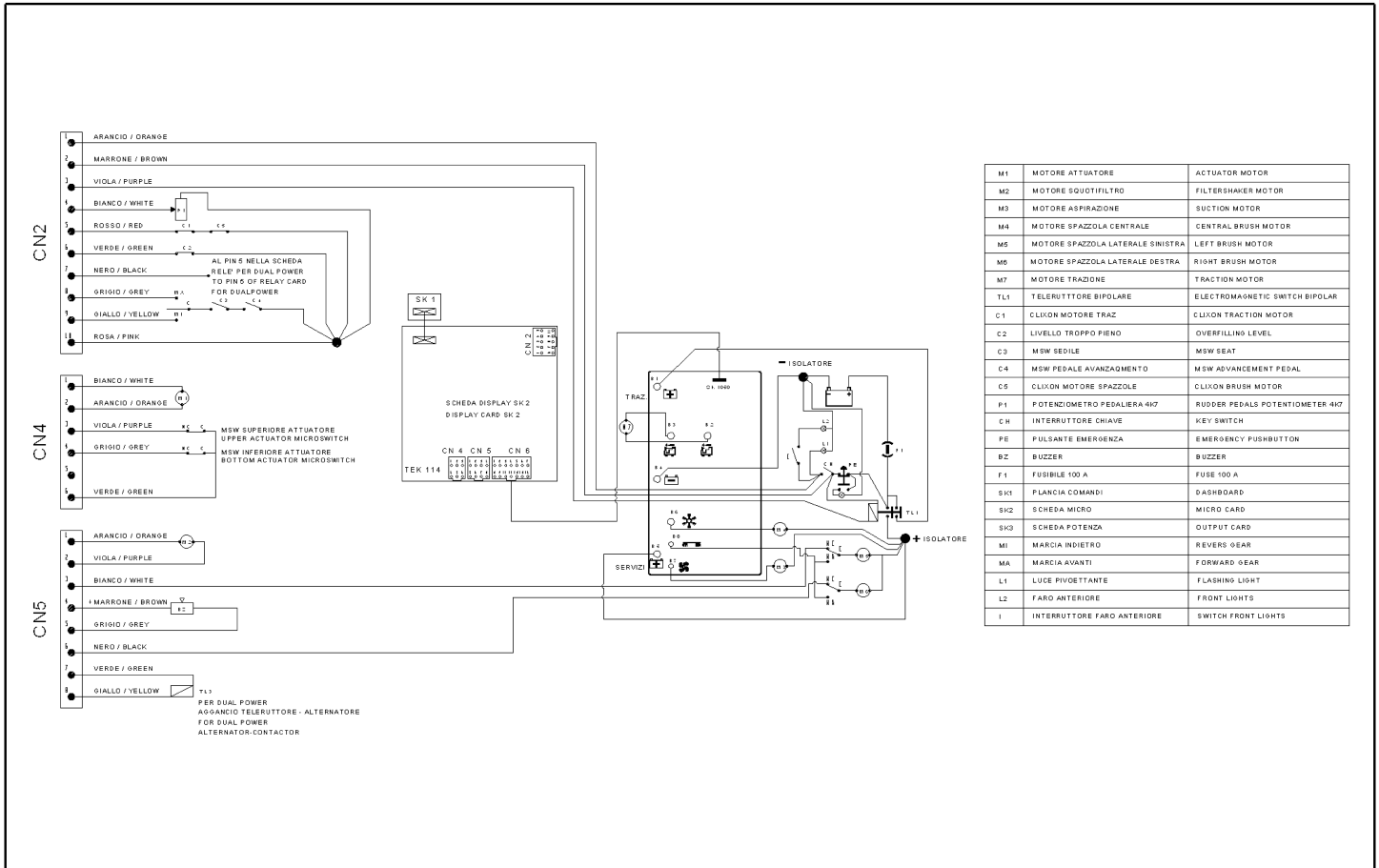
Ref. K	Part n.	Part n. 2	Description	Quantity	Validity		Price
					From	To	
0041	VTRS63242		WASHER UNI 6593 6X24X2 ZB	1,00			--
0042	VTVT75725		SCREW TBCE ISO 7380 6X10 ZB	1,00			--
0043	VTVT06236		SCREW TCCE UNI 5931 6X40 ZB	4,00			--
0044	LAFN00358		LEVER DI RINVIO SPAZZ. CENTRALE	1,00			--
0045	LAFN00359		LINK-ROD TK 1050	1,00			--
0046	LAFN00533		PIN LEVA DI RINVIO SPAZZ.CENT	1,00			--
0047	VTVT63029		SCREW TCCE UNI 5931 6X35 ZB	1,00			--
0048	VTVT00104		SCREW TE UNI 5739 6X18 ZB	2,00			--
0049	VTDD19688		NUT M6 UNI 7473	2,00			--
0050	LAFN45099		DRIVE DISK CENTRAL BRUSH	1,00			--
0051	VTVT47138		SCREW AUTOF.TSP UNI 6955 3,9X32	2,00			--
0052	MOCC00009		ACTUATOR CENTRAL BRUSH	1,00			--
0053	MEVR00080		FUSE-HOLDER PV610 10A	1,00			--
0054	MEVR00079		FUSE 3,15A 250V 5X20	1,00			--
0055	VTVT37013		SCREW TE M 6X100 UNI 5737	1,00			--
0056	VTAE00009		SEEGER INTERNO DIN 472 D.20	1,00			--
0057	LAFN00124		BUSHING BATTUTA CILINDRO	2,00			--
0058	MPVR45279		CASE PORTAMOLLA SPAZZ.CENT.1400	1,00			--
0059	MLML00018		SPRING D.20X2X81 X CILIND.STAB.	1,00			--
0060	LAFN00756		GUIDE ASTUCC.MOLLA SPAZZ.CENTR.	1,00			--
0061	CMCV76639		FORK M 6 UNI 1676	1,00		26/08/2007	--
0061	CMCV00006		FORK UNI 1676 M6X24	1,00	27/08/2007		--
0062	CMCV75717		CLIP UNI 1676 M6	1,00		26/08/2007	--
0062	CMCV00009		CLIP UNI 1676	1,00	27/08/2007		--
0063	VTVT00017		SCREW TE UNI 5739 8X35 ZB	1,00			--
0064	VTDD87083		NUT AUTOBLOK DIN 985 M8 BASSO	1,00			--
0065	GUVR00010		GASKET	0,70			--
0066	GUVR00010		GASKET	1,10			--
0067	VTVR00006		KEY UNI 6604 4X4X35	1,00			--



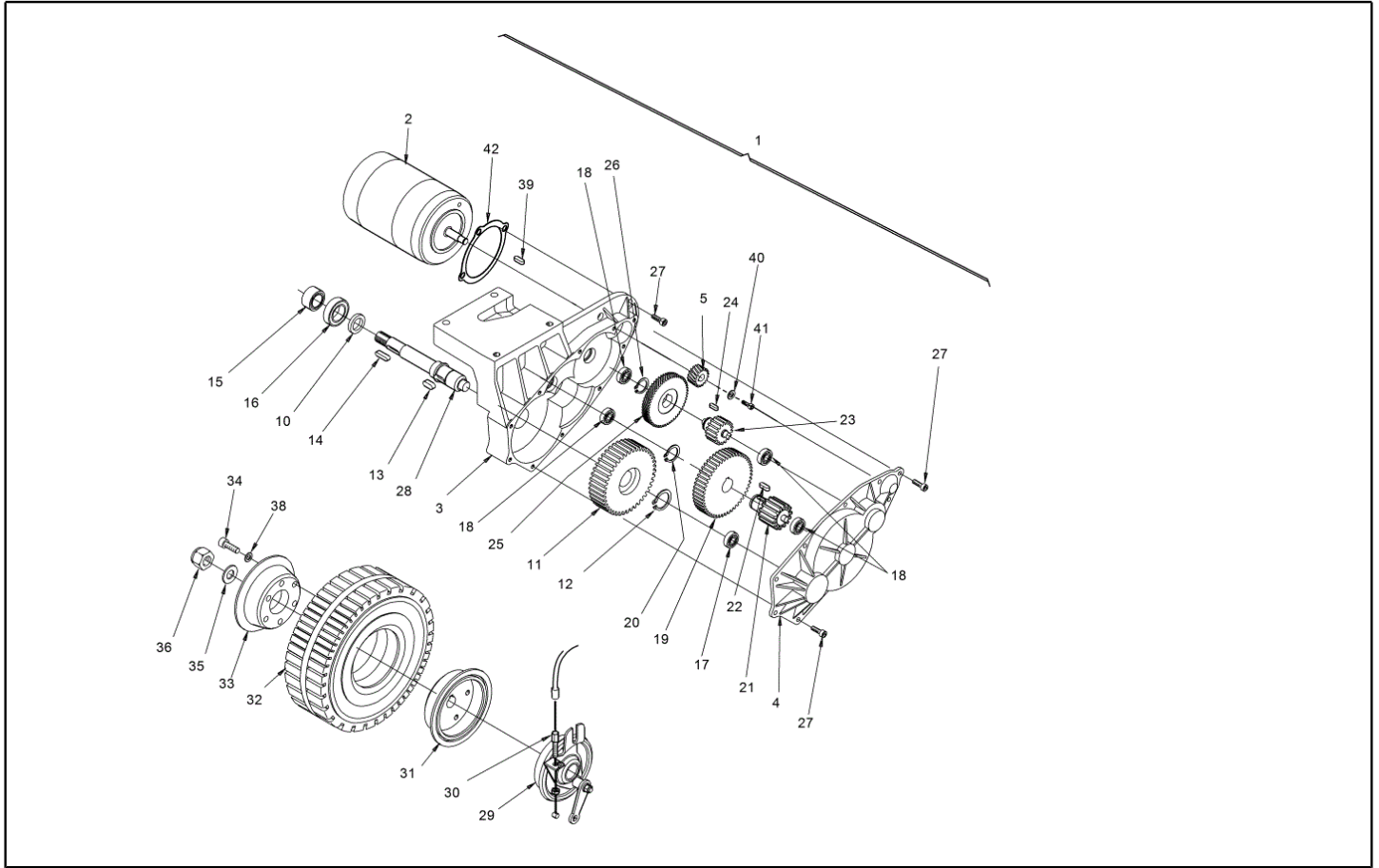
Ref. K	Part n.	Part n. 2	Description	Quantity	Validity		Price
					From	To	
0001	PMQE00001		MOTOR SCUOTIF.ELETR.COMPL. 24V	1,00			--
0002	VTVT47138		SCREW AUTOF.TSP UNI 6955 3,9X32	4,00			--
0003	MPVR00765		RUBBER FISSAGGIO FILO SCUOTIFIL.	2,00			--
0004	LAFN47139		COVER PROTEZIONE MASSE SCUOTIF.	2,00			--
0005	LAFN47140		BUSHING CONTRAPPESO PER SCUOTIFIL	2,00			--
0006	VTVT75731		GRUB SCREW UNI 5923 6X5	2,00			--
0007	VTVT76616		SCREW TSCE UNI 5933 4X12 ZB	6,00			--
0008	MFVR47141		FLANGE X MOTORE SCUOTIFILTRO	2,00			--
0009	MOCC00004		MOTOR D.63 24V G3800 W35	1,00			--
0010	PMVR00383		HANDLE BLOCCAGGIO FILTRO SILVER	2,00			--
0011	LAFN01172		FRAME FISSA FILTRO	1,00			--
0012	FTDP00010		FILTER G1050	1,00			--
0013	LAFN01030		FRAME FILTER SUPPORT COMPLETE	1,00			--
0014	VTDD13261		NUT UNI 5589 M8 BASSO ZB	2,00			--
0015	MOCC00008		MOTOR SUCTION GENIUS SWEEPER	1,00			--
0016	MPVR00864		FAN COVER ASPIRAZIONE	1,00			--
0017	MPVR00849		FLAP POSTERIORE G1050	1,00			--
0018	MPVR00759		FLAP LATERALE DX/SX NERO	1,00		09/09/2005	--
0018	MPVR04710		FLAP LATERALE DX/SX NERO	1,00	10/09/2005		--
0019	LAFN00325		CLAMP FLAP LATER.TK1050 ZINC.	1,00			--
0020	VTVT00106		SCREW AUTOFIL. TC 3,5X14,5	13,00			--
0021	VTVR47015		INSERT PLASTICA (MEDREVITE)	13,00			--
0022	MPVR00761		FLAP ANTERIORE TK1050 COMPL.	1,00			--
0023	LAFN00326		CLAMP FLAP ANTER.TK1050 ZINC	1,00			--
0024	VTVT47143		SCREW TSCE UNI 5933 10X16 ZB	1,00			--
0025	LAFN01150		PEDAL ALZAFLAP G1050	1,00			--
0026	LAFN01159		PIN FILETTATO ALZAFLAP	1,00			--
0027	CMCV00001		FORK UNI 1676 M8X16	1,00			--
0029	VTDD00022		NUT UNI 5589 M18x1,5 zb	1,00			--
0030	VTVT00010		SCREW TE UNI 5739 8X40 ZB	1,00			--
0031	VTDD87083		NUT AUTOBLOK DIN 985 M8 BASSO	1,00			--
0032	MLML00037		SPRING PEDALE ALZAFLAP	1,00			--
0033	LAFN01160		PIN FULCRO ALZAFLAP	1,00			--
0034	VTRS86634		WASHER UNI 6593 6X18X1,5 ZB	1,00			--
0035	VTVT63029		SCREW TCCE UNI 5931 6X35 ZB	1,00			--
0036	LAFN01163		ROD ALZAFLAP	1,00			--
0037	VTVR45280		TOGGLE-JOINT M 6	2,00			--
0038	LAFN06357		PIN ALZAFLAP G1050	1,00			--
0039	VTDD00010		NUT AUTOBLOK DIN 985 M6 BASSO	5,00			--
0040	VTDD00004		NUT M 6 ZC UNI5588	4,00			--
0041	VTVT09913		SCREW TCCE UNI 5931 6X16 ZB	12,00			--
0042	VTVT24209		SCREW TCCE UNI 5931 6X12 ZB	6,00			--
0043	GUGO00285		GASKET TK1320048	0,80			--
0044	GUGO00285		GASKET TK1320048	1,50			--



Ref. K	Part n.	Part n. 2	Description	Quantity	Validity		Price
					From	To	
0001	MEVR00935		FLASHING LIGHT G1050	1,00			--
0002	MECI75801		MICROSWITCH A PISTONE (MS/10-Z15GC)	1,00	24/02/2004		--
0003	MECB44779		WIRING INTERNO BATTERIE	1,00			--
0004	MECB44778		BATTERY BRIDGE SEZ.16 cm.30	3,00			--
0005	LAFN46836		CONTAINER BATTERIA TK1400	1,00			--
0006	MECI00038		SWITCH BIPOLORE	1,00			--
0007	MPVR00300		INSTR.PANEL TERMOFORMATO TK1050	1,00			--
0008	MEVR00144		DASHBOARD PLANCIA G1050	1,00			--
0009	MECI75805		SWITCH KEY FOR BATTERY MACHINES	1,00			--
0010	VTRS00023		WASHER DENTATA INT.UNI 6798 D.18	1,00			--
0011	MECI00028		SWITCH EMERGENCY 24V - RED	1,00			--
0012	MECE00016		PCB MICRO + DISPLAY	1,00			--
0013	VTVT00035		SCREW M 3X 8 TS TC ZC	4,00			--
0014	LAFN47038		COLUMN distanziale M3 H13 M/F	4,00			--
0015	VTDD00001		NUT UNI 5588 M3 ZB	4,00			--
0016	MPVR00878		FAN COVER MICRO	1,00		04/04/2006	--
0016	MPVR04902		COVER SCHEDA MICRO	1,00	05/04/2006		--
0017	VTVT00288		SCREW TCTC 4X10	2,00			--
0018	MECI75801		MICROSWITCH A PISTONE (MS/10-Z15GC)	2,00			--
0019	MEVR00092		BUZZER X TK1400	1,00			--
0020	VTVT75719		SCREW TE FR 6X10 ZB ZIGRINATE	2,00			--
0021	MEVR47082		INSULATOR MM35 M6 CH 32	2,00			--
0022	VTVT47088		GRUB SCREW UNI 5923 6X30 GREZZO	2,00			--
0023	VTDD00004		NUT M 6 ZC UNI5588	2,00			--
0024	MECI00037		CONTACTOR TL22 P V 24V	1,00			--
0025	MECB00117		WIRING TELERUTTORE	1,00			--
0026	MEVR00146		FUSE-HOLDER MEGA	1,00			--
0027	MEVR00145		FUSE 100A	1,00			--
0028	MECE00019		BOARD POWER TRACTION G1050-1202	1,00			--
0029	MECE00016		PCB MICRO + DISPLAY	1,00			--
0030	LAFN87624		SHEET METAL PA. PORTA SCHEDA	1,00			--
0031	MEVR00148		SWITCH SEAT SENSOR	1,00		23/02/2004	--
0032	MECB01103		WIRING -	1,00	03/11/2008		--



Ref. K	Part n.	Part n. 2	Description	Quantity	Validity		Price
					From	To	
0SK1	MEVR00144		DASHBOARD PLANCIA G1050	1,00			--
0SK2	MECE00016		PCB MICRO + DISPLAY	1,00			--
0SK3	MECE00019		BOARD POWER TRACTION G1050-1202	1,00			--
0TL1	MECI00037		CONTACTOR TL22 P V 24V	1,00			--
00BZ	MEVR00092		BUZZER X TK1400	1,00			--
00CH	MECI75805		SWITCH KEY FOR BATTERY MACHINES	1,00			--
00C1	MECI00035		SWITCH DI TEMPERATURA F11-95 NC	1,00			--
00C3	MECI75801		MICROSWITCH A PISTONE (MS/10-Z15GC)	1,00			--
00C4	MECB00124		WIRING PEDALE ACCELERATORE	1,00			--
00F1	MEVR00145		FUSE 100A	1,00			--
00L1	MEVR00935		FLASHING LIGHT G1050	1,00			--
00MA	MECI00038		SWITCH BIPOLARE	1,00			--
00M1	MECI00038		SWITCH BIPOLARE	1,00			--
00M1	MOCC00009		ACTUATOR CENTRAL BRUSH	1,00			--
00M2	PMQE00001		MOTOR SCUOTIF.ELETTR.COMPL. 24V	1,00			--
00M3	MOCC00008		MOTOR SUCTION GENIUS SWEEPER	1,00			--
00M4	MOCC00030		MOTOR SPAZZOLA CENTRALE G1050	1,00			--
00M5	MOCC00031		MOTOR.GEARBOX AOMPI40 24V 60W SX G1050	1,00			--
00M6	MOCC00032		MOTOR.GEARBOX AOMPI40 24V 60W DX G1050	1,00			--
00M7	MOCC00029		MOTOR MOTORUOTA 24V 400W	1,00			--
00PE	MECI00028		SWITCH EMERGENCY 24V - RED	1,00			--
00P1	MECB00124		WIRING PEDALE ACCELERATORE	1,00			--



Ref. K	Part n.	Part n. 2	Description	Quantity	Validity		Price
					From	To	
0001	PMTR00079		GROUP MOTORUOTA COMPLETO	1,00			--
0002	MOCC00029		MOTOR MOTORUOTA 24V 400W	1,00			--
0003	MFVR00020		SUPPORT MOTORUOTA	1,00			--
0004	MFVR00019		COVER MOTORUOTA G 1050	1,00			--
0005	MTCR00010		PINION MOTORE Z=18 M=1.5	1,00			--
0010	GUVR00026		PACKING 20x30x5	1,00			--
0011	MTCR00006		BRAKE MODULO 2.5	1,00			--
0012	VTAE09655		SEEGER ESTERNO DIN 471 D.25	1,00			--
0013	VTVR00052		KEY UNI 6604 8X7X18	1,00			--
0014	VTVR23472		KEY UNI 6604 6X6X25	1,00			--
0015	CUVR00021		BEARING 20X32X16 NKI2016	1,00			--
0016	CUVR00022		BEARING 25x42x11 51105	1,00			--
0017	CUVR00023		BEARING 6002 15x32x9	1,00			--
0018	CUVR00024		BEARING 609 9x24x7	3,00			--
0019	MTCR00011		BRAKE MODULO 2	1,00			--
0020	VTAE33674		SEEGER ESTERNO DIN 471 D.22	1,00			--
0021	MTCR00008		PINION MODULO 2.5	1,00			--
0022	VTVR00053		KEY UNI 6604 6X6X18	1,00			--
0023	MTCR00009		PINION MODULO 2	1,00			--
0024	VTVR00054		KEY UNI 6604 5X5X10	1,00			--
0025	MTCR00007		BRAKE Z=45 M=1.5	1,00			--
0026	VTAE76740		SEEGER ESTERNO DIN 471 D.20	1,00			--
0027	VTVT00123		SCREW TCCE UNI5931 6X16 AC.8.8	10,00			--
0028	LAFN01162		PIN RUOTA	1,00			--
0029	VTVR00051		BRAKE d.90 G1050	1,00			--
0030	CMCV75723		REGISTER D.7	1,00			--
0031	MFVR00014		HUB RUOTA TK 1050	1,00			--
0032	RTRT00036		RING GOMMA RUOTA ANT. NERA	1,00			--
0033	LAFN85380		HUB RUOTA POST.D124 H.33.5	1,00			--
0034	VTVT00074		SCREW TCCE UNI 5931 8X16 ZB	5,00			--
0035	VTRS00508		WASHER UNI 6592 16x32 ZB	1,00			--
0036	VTDD01689		NUT AUTOBLOK DIN 982 M16 ALTO	1,00			--
0038	VTRS00020		WASHER GOWER UNI 1751 UNI 1751	5,00			--
0039	VTVR01677		KEY 5X5X18 UNI 6604-69	1,00			--
0040	VTRS04026		WASHER D. 6X18X2.38	1,00			--
0041	VTVT01109		SCREW TE M 6X 10 ZC. UNI 5739	1,00			--
0042	GUVR00215		GASKET P184 MOTORE	1,00			--