

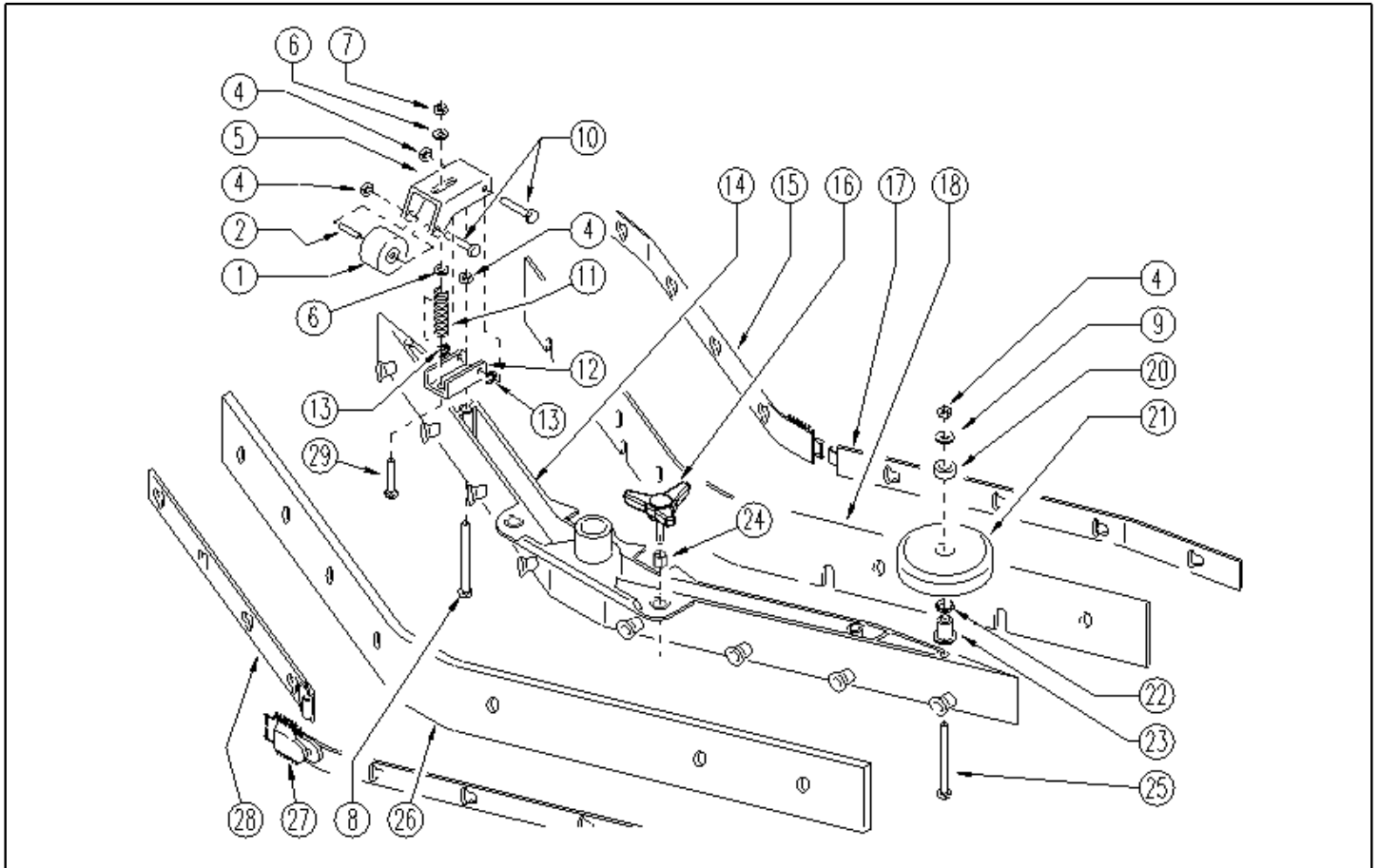


IPC

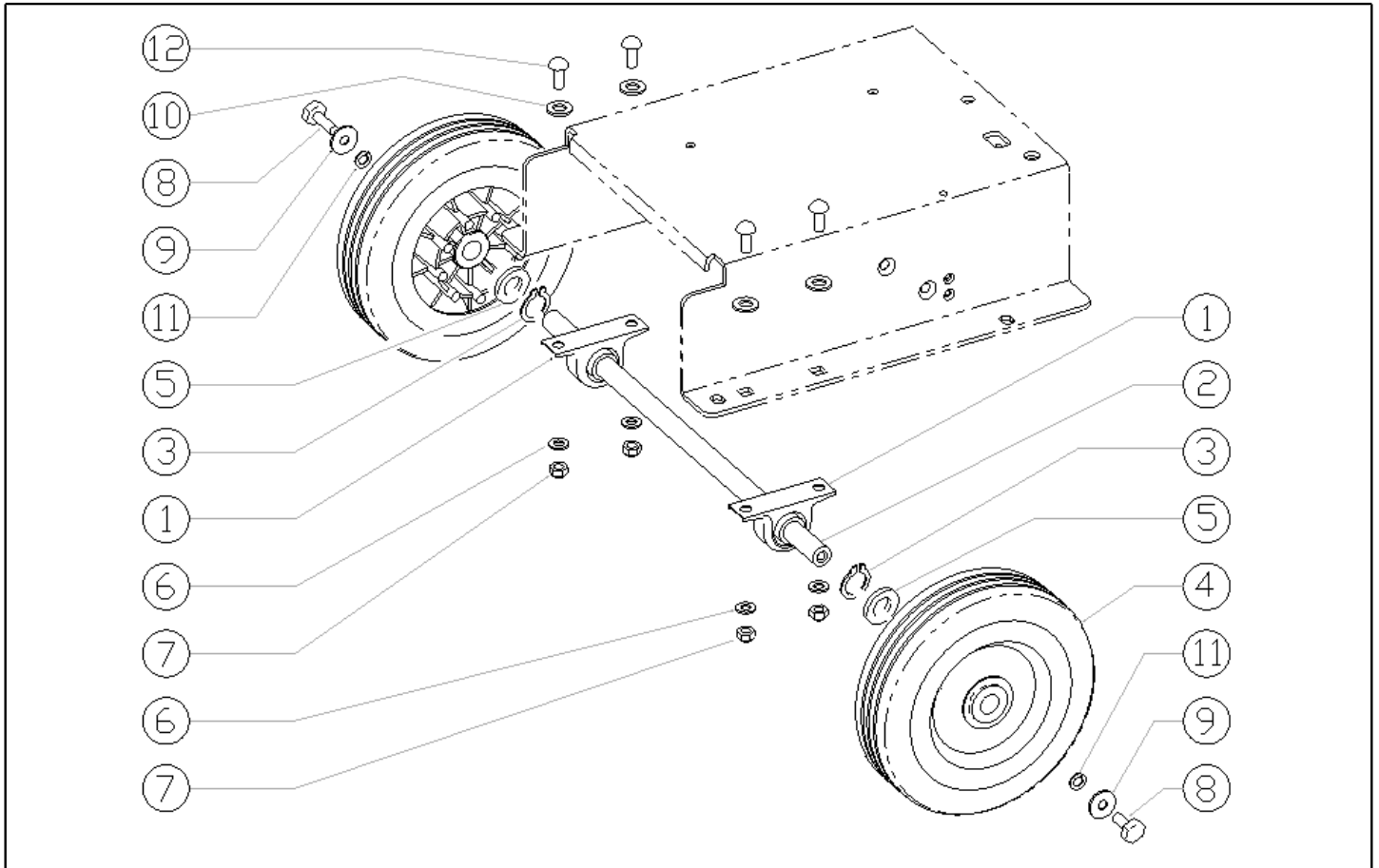
Spare parts list

Ref: LPTE01047

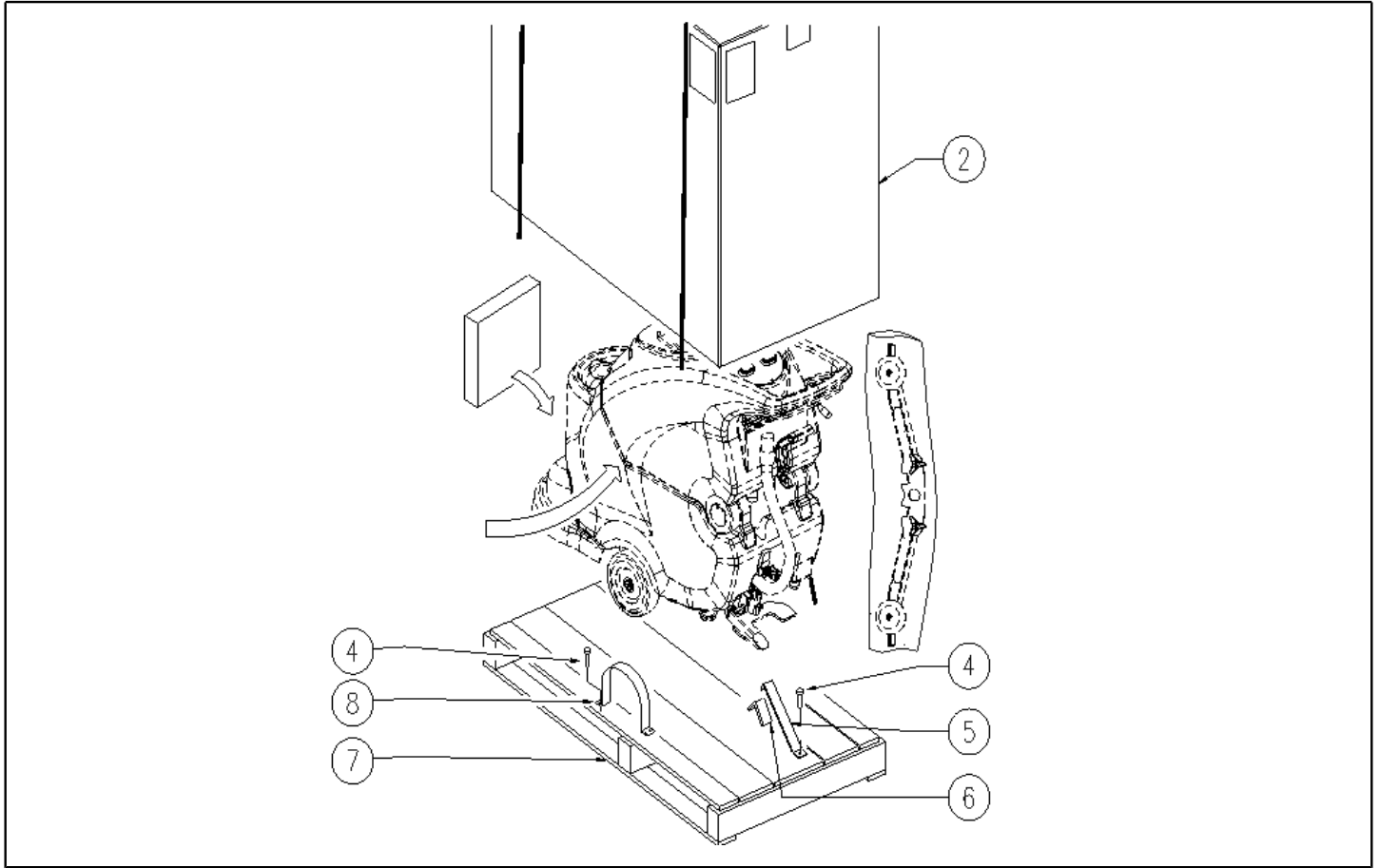
Model: FLOOR WASHER CT 40 C45 230V



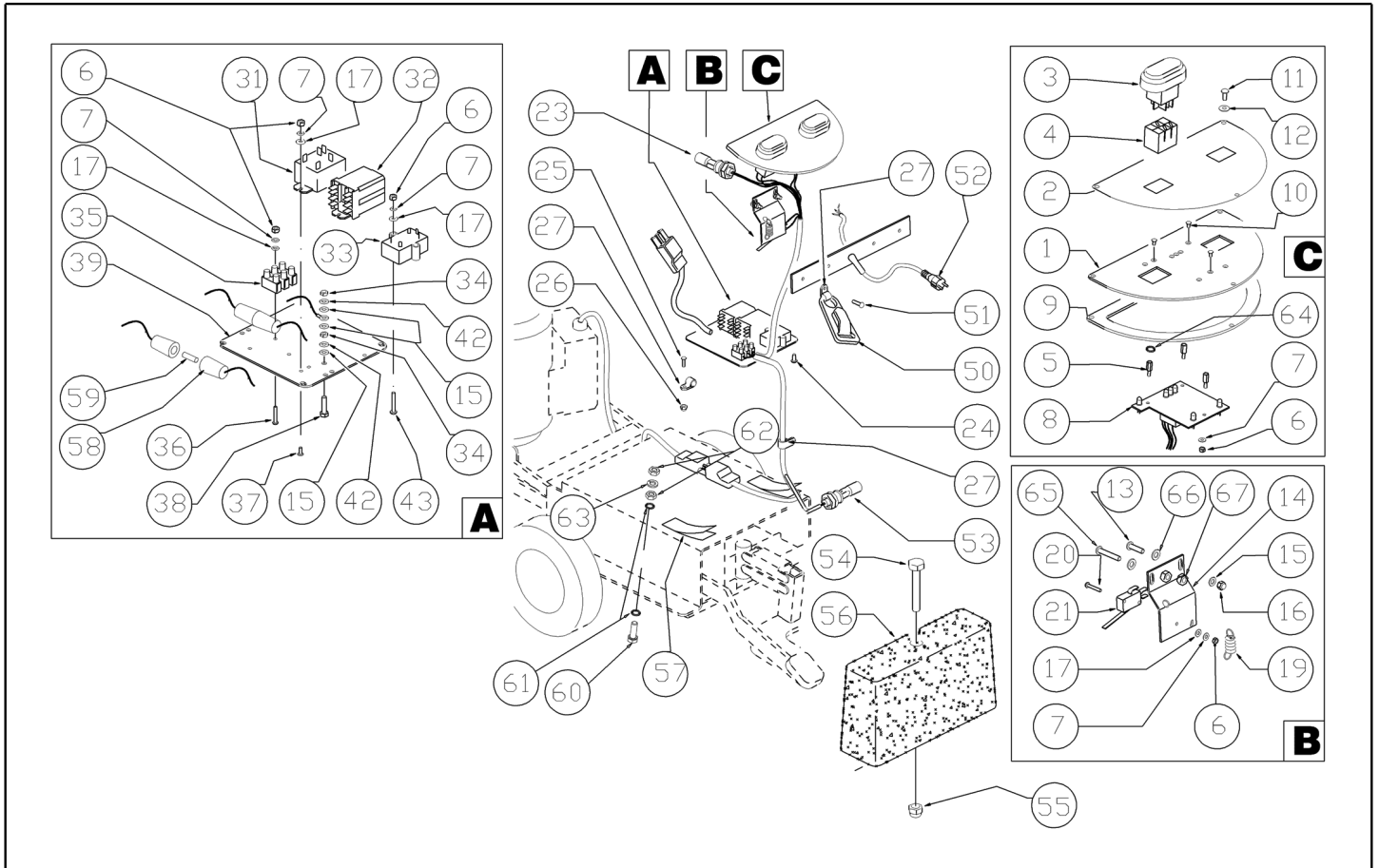
Ref. K	Part n.	Part n. 2	Description	Quantity	Validity		Price
					From	To	
0001	RTRT49413		WHEEL D. 60-D.15 X36 NYL.	2,00			--
0002	LAFN04041		SPACER D6/15	2,00			--
0004	VTDD01694		NUT M6 INOX	8,00			--
0005	LAFN05559		SUPPORT RUOTINO	2,00			--
0006	VTRS13947		WASHER D. 8 INX UNI 6592	4,00			--
0007	VTDD01695		NUT M 8 INX	2,00			--
0008	VTVT15142		SCREW TE M 6x45 INOX	2,00			--
0009	VTRS00245		WASHER D.6 UNI 6592 INOX	2,00			--
0010	VTVT15515		SCREW TE M 6X 50 INOX A2	4,00			--
0011	MLML49422		SPRING D.15X 45 X1	2,00			--
0012	LAFN51069		BRACKET SUPP.RUOTINO SQUEEGEE	2,00			--
0013	VTAE45707		SEEGER RADIALE TIPO H UNI7434 D6	4,00			--
0014	KTRI02048		BODY SQUEEGEE PRESSOFUSO "S"	1,00			--
0015	LAFN51045		BRACKET S SQUEEGEE BLOCK LEFT	1,00			--
0016	MPVR05265		KNOB 8X25	2,00			--
0017	LAFN51044		LAMINATION BLOCCA LAMA ANTER.DX S	1,00			--
0018	MPVR45194		RUBBER BLADE LAV. 800 ANT.	1,00			--
0020	MPVR49229		BUSHING SHK	2,00			--
0021	MPVR05290		ROLLER SIDE BUMPER WHEEL	2,00			--
0022	GUGO00164		GASKET	2,00			--
0023	LAFN04100		SPACER FOR BUMPER WHEEL	2,00			--
0024	VTVR00022		INSERT FILETTATO ESAGONALE M8	2,00			--
0025	VTVT17342		SCREW TE M 6X 60 UNI 5739 INX	2,00			--
0026	MPVR45195		RUBBER BLADE LAV. 800 PST.POL.	1,00			--
0027	LAFN49284		BLADE HOLDER POSTERIORE DX (S)	1,00			--
0028	LAFN49285		BLADE HOLDER POSTERIORE SX (S)	1,00			--
0029	VTVT01304		SCREW M 8X 40 TTQST UNI 5731	2,00			--



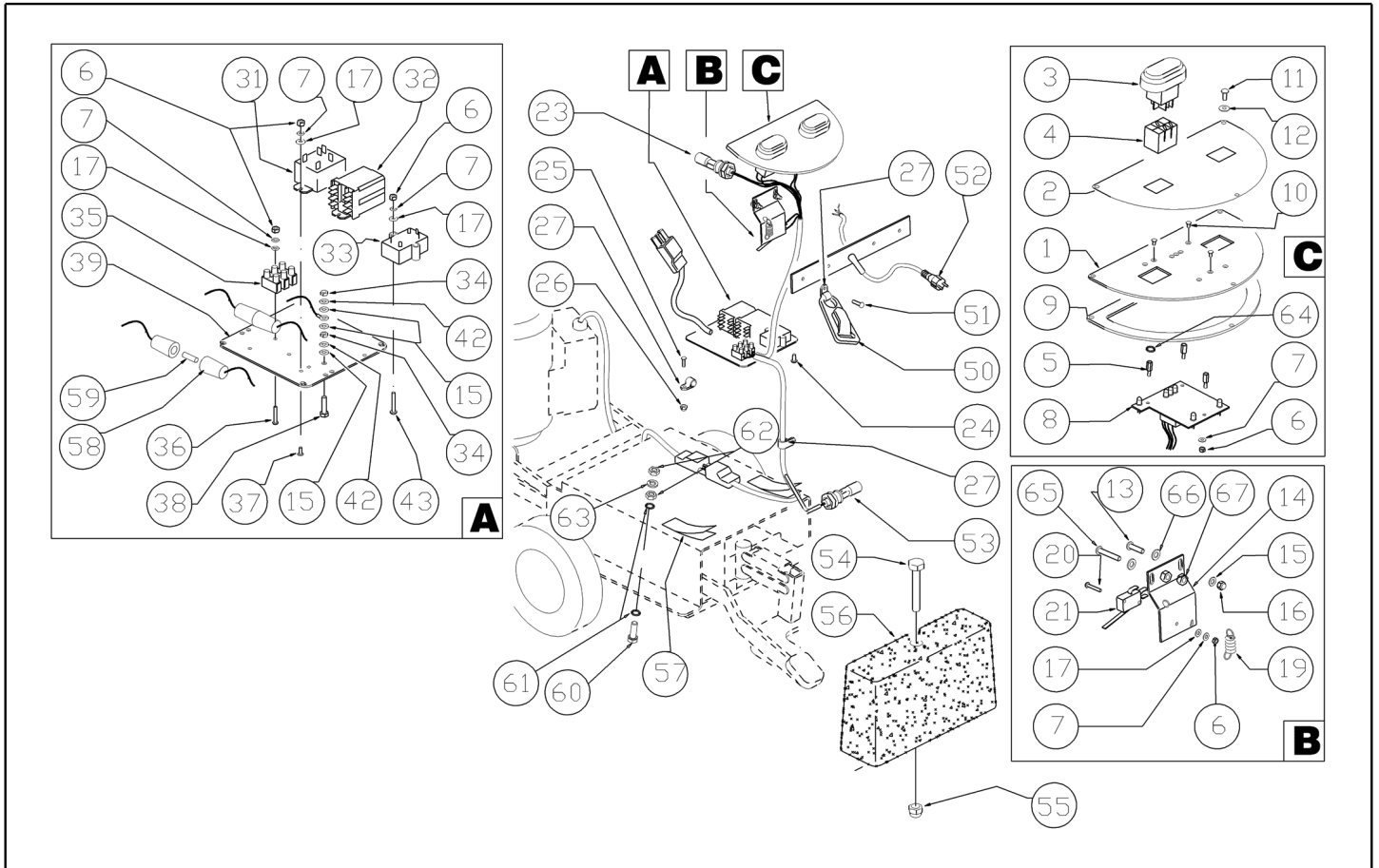
Ref. K	Part n.	Part n. 2	Description	Quantity	Validity		Price
					From	To	
0001	CUVR49833		BALL BEARING SBPP 203	2,00			--
0002	ALTR00088		AXLE -	1,00			--
0003	VTAE00065		RING D17 UNI7435 INOX	2,00			--
0004	RTRT00366		WHEEL D200 X CLT 40	2,00			--
0005	VTRS00378		WASHER 17,5X32X1,5	4,00			--
0006	VTRS13947		WASHER D. 8 INX UNI 6592	4,00			--
0007	VTDD01695		NUT M 8 INX	4,00			--
0008	VTVT15916		SCREW TE M 8X 16 UNI 5739 A2	2,00			--
0009	VTRS13946		WASHER D. 8 X24 INX UNI 6593	2,00			--
0010	VTRS15978		WASHER D.12X24 UNI 6592 INX	4,00			--
0011	VTRS15146		WASHER GROVER A2 UNI1751	2,00			--
0012	VTVT00842		SCREW	4,00			--



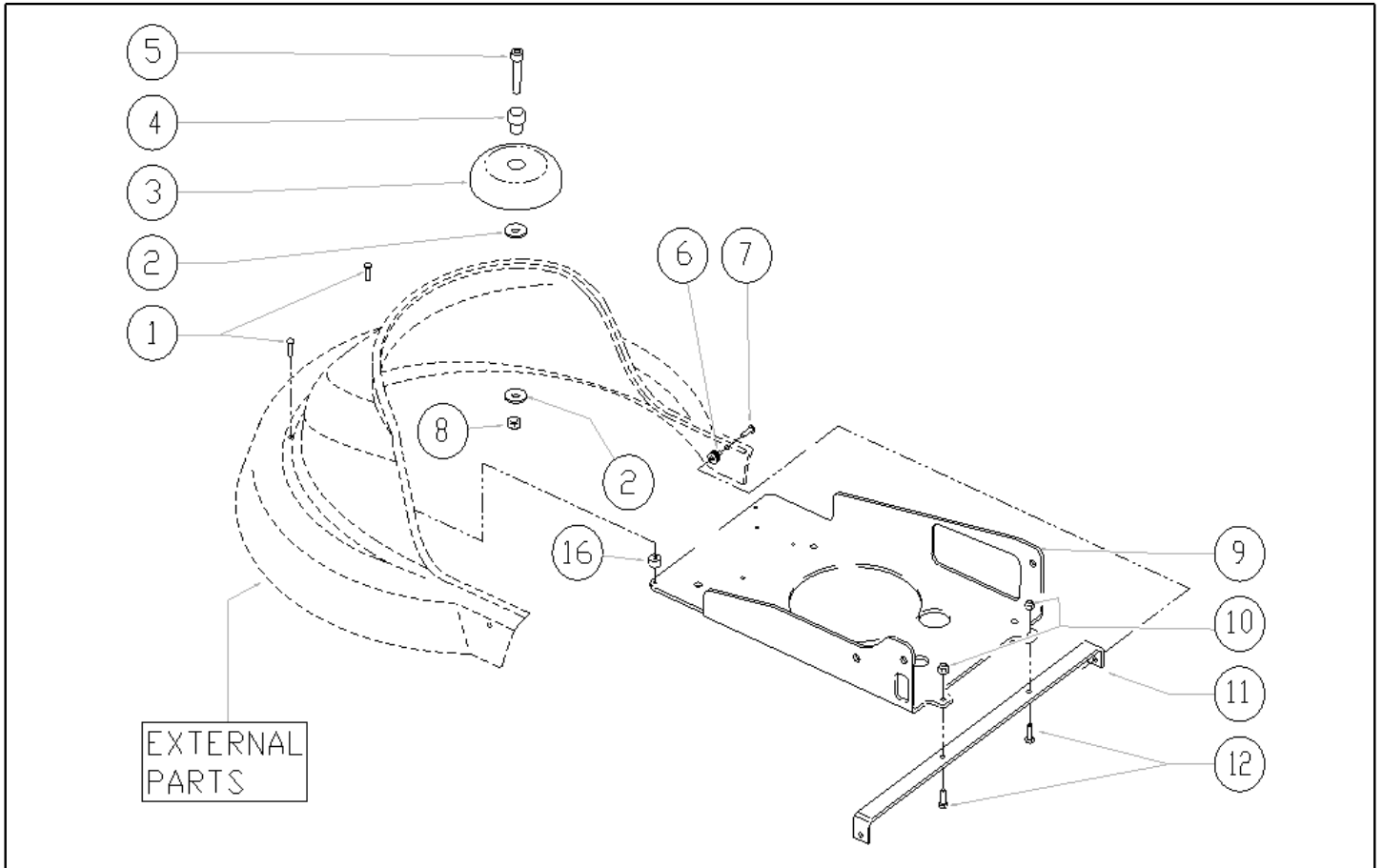
Ref. K	Part n.	Part n. 2	Description	Quantity	Validity		Price
					From	To	
0002	MICT00147		CARTON IMBALLO RULLI	1,00			--
0004	VTVT00043		SCREW AUTOF.LEGNO 4,5X25 TS BR	9,00			--
0005	MIVR00137		CLAMP RUOTA POSTERIORE X IMBAL.	1,00			--
0006	GUGO00009		MOUSSE	0,05			--
0007	MIBA00077		PALLET RULLI	1,00			--
0008	MIVR00135		CLAMP RUOTA POSTERIORE X IMBAL.	2,00			--



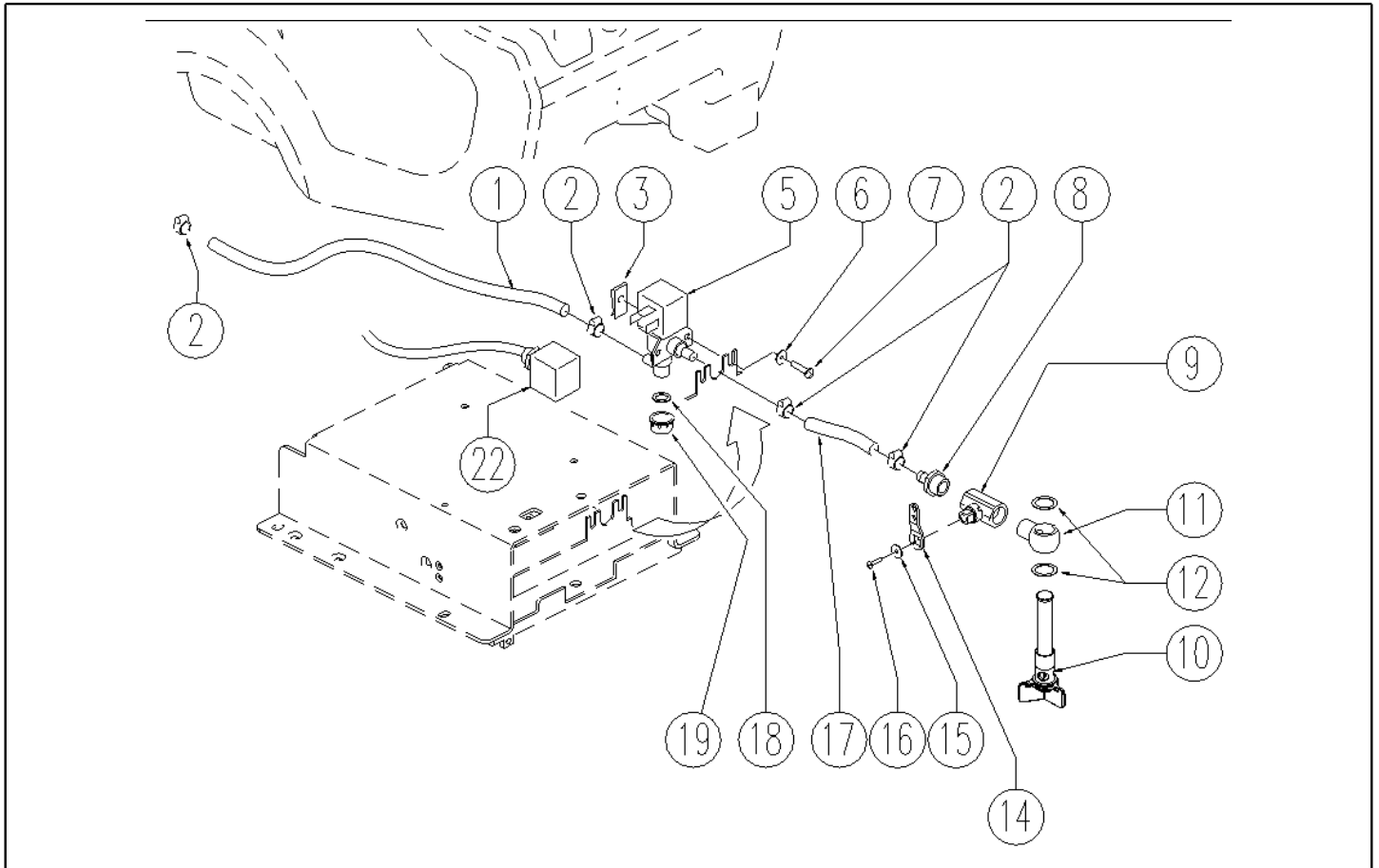
Ref. K	Part n.	Part n. 2	Description	Quantity	Validity		Price
					From	To	
0001	LAFN06488		SHEET METAL PA. PANNELLO COMANDI	1,00			--
0002	ETET01379		LABEL CLT 40 230V	1,00	01/03/2004		--
0003	MECI00383		SWITCH TTR/L BIP. 230V	2,00	01/03/2004		--
0004	MECI00384		BASE 401	2,00			--
0005	LAFN04047		SPACER X SCHEDE M3 15x8x8	3,00	01/03/2004		--
0006	VTDD21115		NUT M 3 INOX	13,00	01/03/2004		--
0007	VTRS00268		WASHER D.3	13,00	01/03/2004		--
0008	MECE00397		BOARD CT40 C 230V	1,00	01/03/2004		--
0009	GUGO38417		GASKET PANN.COM.EXTREME	1,00	01/03/2004		--
0010	VTVT00865		SCREW TSP-TC M 3X 6 UNI7688 INX	3,00	01/03/2004		--
0011	VTVT37012		SCREW M 4X 10 TCB-TC INX	3,00	01/03/2004		--
0012	VTRS00515		WASHER D. 4 INX	3,00	30/03/2004		--
0013	VTVT07725		SCREW TE 5X16 UNI5739 INX	1,00			--
0014	LAFN05904		PLATE MICRO LEVA	1,00	21/04/2004		--
0015	VTRS00516		WASHER D. 5 INX	5,00	13/04/2004		--
0016	VTDD15517		NUT M 5 INX	2,00	13/04/2004		--
0017	VTRS21116		WASHER D. 3 INX	8,00	01/03/2004		--
0019	MLML34726		SPRING TR E350 N	1,00	13/04/2004	09/07/2014	--
0019	MLML00203		SPRING	1,00	10/07/2014		--
0020	VTVT01316		SCREW TC+ M3-16	2,00	01/03/2004		--
0021	MECI36393		MICROSWITCH ACTIVATION TRCTN.	1,00	01/03/2004		--
0023	MECI00516		SENSOR FLOAT WATER TANK	1,00			--
0024	VTVT01580		SCREW TC M5X10 UNI7687 INOX	4,00		17/05/2009	--
0024	VTVT07521		SCREW TCB 5X10	4,00	18/05/2009		--
0025	VTVT00681		SCREW	2,00	13/04/2004		--
0026	VTDD15925		NUT M 4 INX+ZN	2,00	13/04/2004		--
0027	FSVR00099		CLAMP FERMATUBO	4,00	01/03/2004		--
0031	MERL00005		SWITCH RELAY finder 230v-50hz	1,00			--
0032	MERL48877		RELAY 628282300000 230V	1,00	28/07/2004		--
0033	MECE31132		FILTER LC LAVAM. FL.	1,00	01/03/2004		--
0034	VTDD07727		NUT M 5 INOX	2,00	01/03/2004		--
0035	MEVR01110		TERMINAL BOARD 3 POS PA27	1,00			--
0036	VTVT00633		SCREW M 3X 20 TCB-TC BK.U.7687	2,00			--
0037	VTVT00722		SCREW	4,00	01/03/2004		--
0038	VTVT00766		SCREW TE M. 5-25	1,00	01/03/2004		--
0039	LAFN06549		PLATE CABLAGGIO PRINCIPALE CLT	1,00	01/03/2004		--
0042	VTRS15908		WASHER D. 5 INX GRW UNI 1751	2,00	01/03/2004		--
0043	VTVT00765			2,00			--
0050	MEVR01252		CUT PREVENTER CAVO ELETTRICO TIPO 500	1,00	04/03/2004		--
0051	VTVT15961		SCREW M 5X 16 TCB TC UNI 7687	4,00			--
0052	MECB00945		CABLE ALIMENTAZ. 3X1,5 L=650	1,00	01/03/2004		--
0053	MECI00516		SENSOR FLOAT WATER TANK	1,00			--
0054	VTVT24212		SCREW TE M 12X100 UNI 5737 INOX	1,00	21/04/2004		--
0055	VTDD00176		NUT M.12 INOX A2 BASSO AUTOB.	1,00	21/04/2004		--



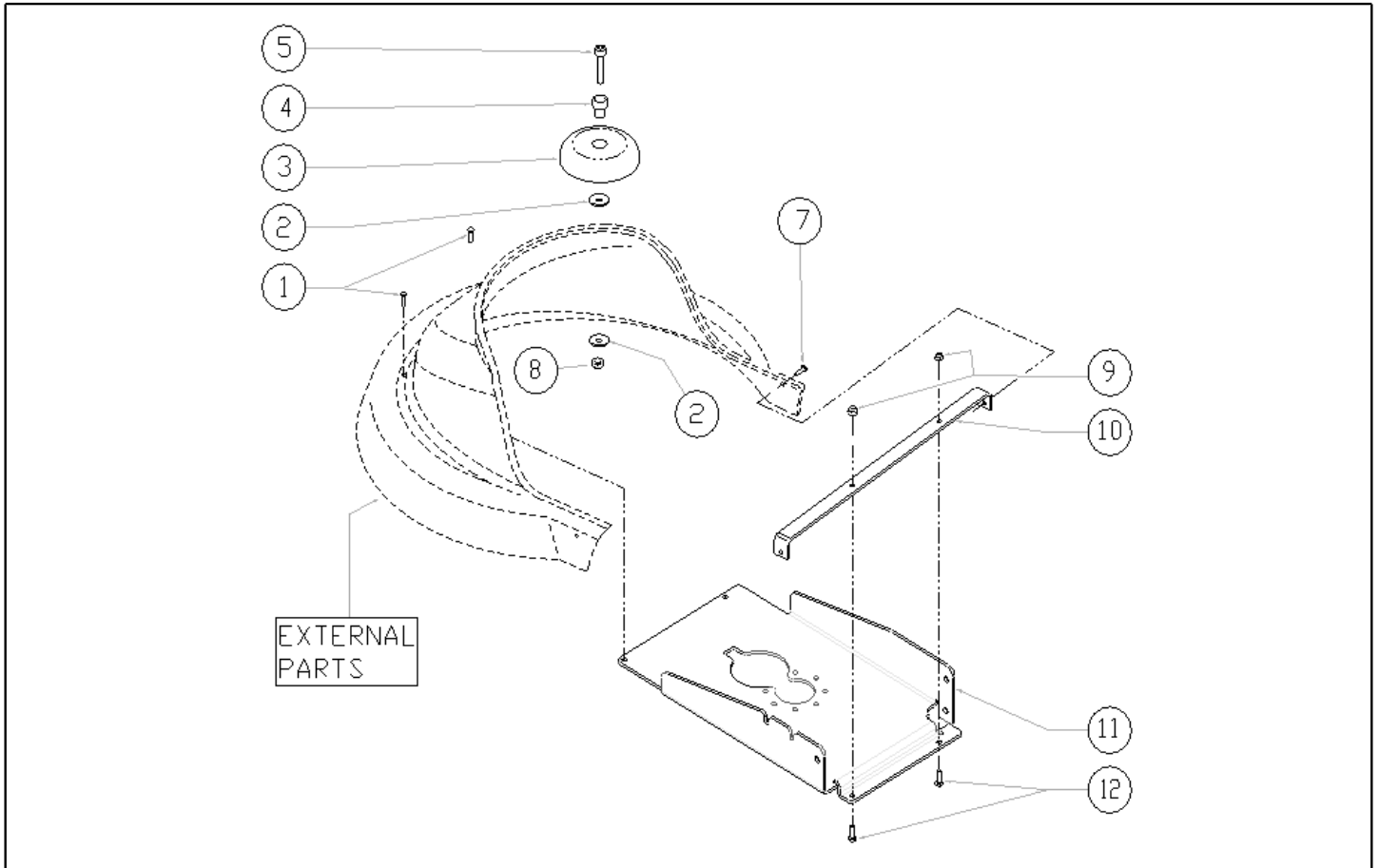
Ref. K	Part n.	Part n. 2	Description	Quantity	Validity		Price
					From	To	
0056	MFVR00204		BALLAST	1,00			--
0057	GUGO00009		MOUSSE	2,00			--
0058	MEVR01401		FUSE CARRIER VOLANTE OMEGA	2,00			--
0059	MEVR02825		FUSE 5X20 5A T	2,00			--
0060	VTVT15907		SCREW TE 8X25 UNI5739 INX	1,00	15/01/2015		--
0061	VTRS00269		WASHER D. 8 DIN 6798-A INX A2	2,00	15/01/2015		--
0062	VTDD15521		NUT M 8 INX A2 UNI 5588	2,00	15/01/2015		--
0063	VTRS15146		WASHER GROVER A2 UNI1751	1,00	15/01/2015		--
0064	VTRS00268		WASHER D.3	1,00	15/01/2015		--
0065	VTVT00766		SCREW TE M. 5-25	1,00	15/01/2015		--
0066	VTRS13750		WASHER D. 5X14 INX	2,00	15/01/2015		--
0067	VTDD07727		NUT M 5 INOX	2,00	15/01/2015		--



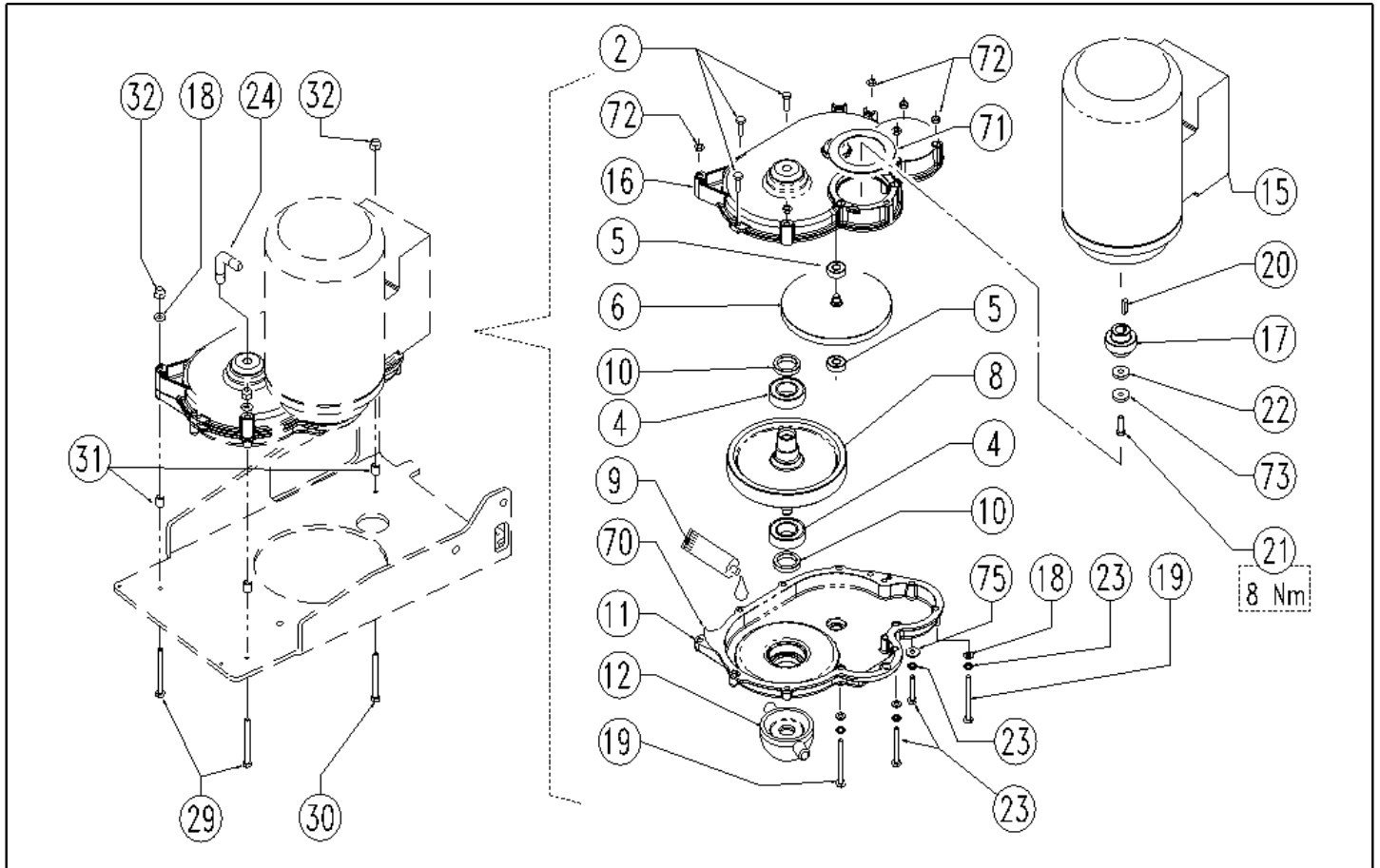
Ref. K	Part n.	Part n. 2	Description	Quantity	Validity		Price
					From	To	
0001	VTVT01365		SCREW M4X20	2,00			--
0002	VTRS13946		WASHER D. 8 X24 INX UNI 6593	2,00			--
0003	RTRT43370		CASTER D.100 2V.	1,00		27/04/2008	--
0003	MPVR05290		ROLLER SIDE BUMPER WHEEL	1,00	28/04/2008		--
0004	LAFN03915		BUSHING NUOVO RUOTINO STRONG	1,00			--
0005	VTVT17349		SCREW TCEI M 8X30	1,00		16/06/2009	--
0005	VTVT00822		SCREW TCEI M 8-30	1,00	17/06/2009		--
0006	MEVR01281		SPACER	2,00			--
0007	VTVT01366		SCREW M4X16	2,00			--
0008	VTDD01695		NUT M 8 INX	1,00			--
0009	LAFN05854		PLATE SOSTEGNO RIDUTTORE	1,00			--
0010	VTDD15518		NUT M 6 INX	2,00			--
0011	LAFN05899		SUPPORT BRACKET CARTER 1 EXTREME	1,00			--
0012	VTVT15143		SCREW TE 6X16 UNI5739	2,00			--
0016	LAFN04039		THICKNESS	1,00			--



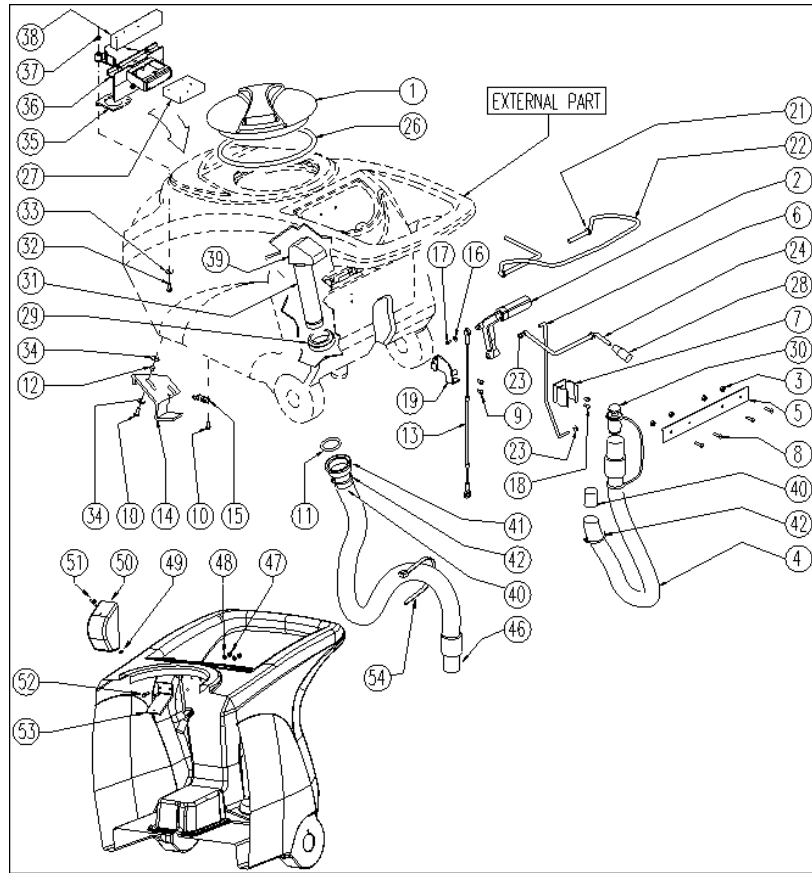
Ref. K	Part n.	Part n. 2	Description	Quantity	Validity		Price
					From	To	
0001	TBBP00354		TUBE ARMORVIN	1,00			--
0002	FSVR00091		CLAMP 14-24	4,00			--
0003	MLML00002		SPRING PRESTOLA DOPPIA 8P	2,00			--
0004	VTRS00515		WASHER D. 4 INX	2,00			--
0005	MEEV00019		SOLENOID VALVE	1,00			--
0006	VTRS00516		WASHER D. 5 INX	2,00			--
0007	VTVT48694		SCREW TCB TC 5 X12 UNI 9707 TZ	2,00			--
0008	RCVR00536		CONNECTOR PORTAG.	1,00			--
0009	RCGR00065		TAP F/F 1/2"	1,00			--
0010	MPVR05221		FILTER COMPLETO	1,00		14/02/2013	--
0010	MPVR06303		FILTER CT40-70-90	1,00	15/02/2013		--
0011	RCDS49622		CONNECTOR OCC 1/2 - 1/2M	1,00			--
0012	VTRS00567		WASHER 1/2	2,00			--
0014	LAFN05902		LEVER RUBINETTO	1,00			--
0015	VTRS00251		WASHER 4-16 INOX A2	1,00			--
0016	VTVT00633		SCREW M 3X 20 TCB-TC BK.U.7687	1,00			--
0017	TBFX49101		TUBE FLEX D.34 CPL.SHK	1,00			--
0018	GUGO00268		GASKET D.21 SP.3 GOMMA	1,00			--
0019	RCVR00353		CAP 1/2"G X ELETTRIV. ACL	1,00			--
0022	MECB00917		WIRING PEDALE ACCEL.P160	1,00			--



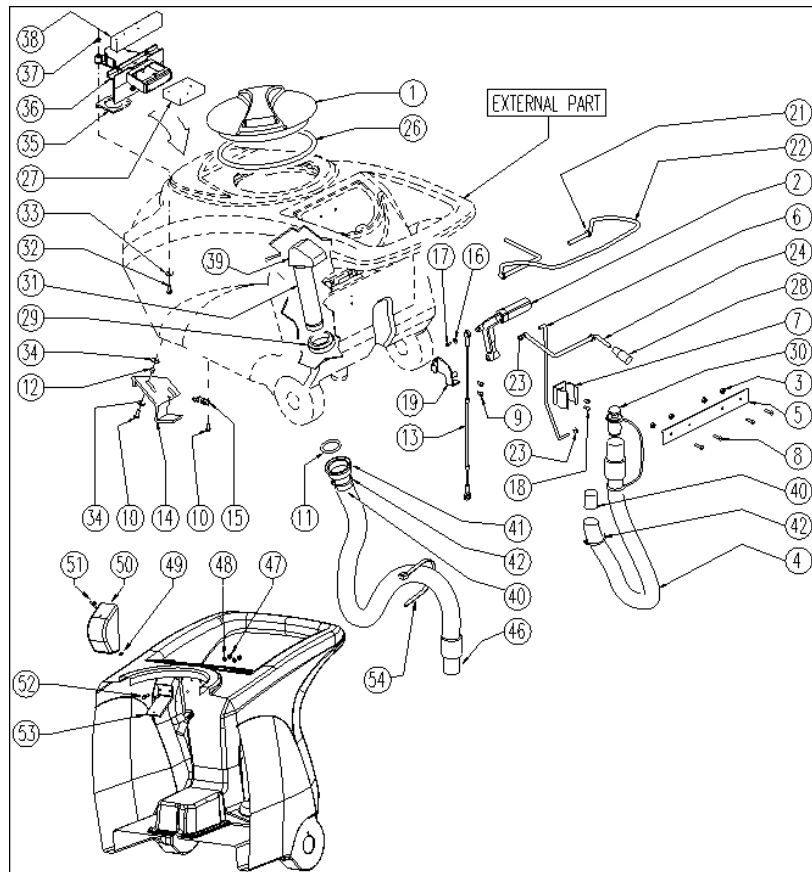
Ref. K	Part n.	Part n. 2	Description	Quantity	Validity		Price
					From	To	
0001	VTVT00659		SCREW TC+ M. 4-15	2,00		14/02/2010	--
0001	VTVT01366		SCREW M4X16	2,00	15/02/2010	07/04/2016	--
0001	VTVT01004		SCREW TC+ M4 X 10 TRILOBATA	2,00	08/04/2016		--
0002	VTRS13946		WASHER D. 8 X24 INX UNI 6593	2,00			--
0003	MPVR05290		ROLLER SIDE BUMPER WHEEL	1,00			--
0004	LAFN03915		BUSHING NUOVO RUOTINO STRONG	1,00			--
0005	VTVT17349		SCREW TCEI M 8X30	1,00		16/06/2009	--
0005	VTVT00822		SCREW TCEI M 8-30	1,00	17/06/2009		--
0007	VTVT01366		SCREW M4X16	2,00			--
0008	VTDD01695		NUT M 8 INX	1,00			--
0009	VTDD15518		NUT M 6 INX	2,00			--
0010	LAFN05899		SUPPORT BRACKET CARTER 1 EXTREME	1,00			--
0011	LAFN07373		PLATE RIDUTTORE	1,00			--
0012	VTVT15143		SCREW TE 6X16 UNI5739	2,00			--



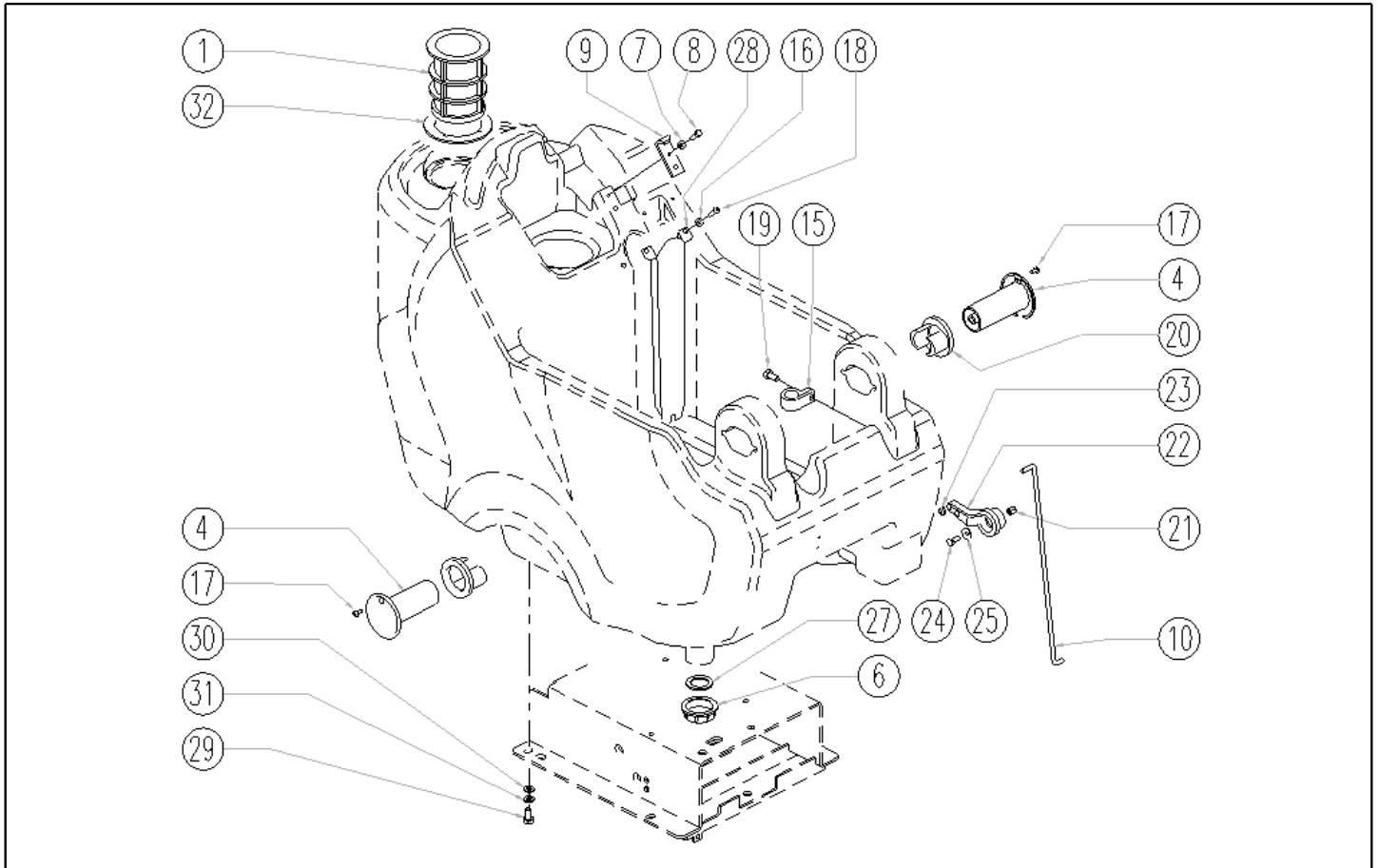
Ref. K	Part n.	Part n. 2	Description	Quantity	Validity		Price
					From	To	
0000	CNPR00387		LUBRICATING OIL GRASSO GREASE SLL/00 SE	1,00			--
0002	VTVT01315		SCREW AUTOF.TCC M6-16 DIN 7516	4,00		17/03/2009	--
0002	VTVT01298		SCREW TCEI M6X20	4,00	18/03/2009		--
0004	CUVR74239		BEARING 6005 X TERSY 45 C	2,00			--
0005	CUVR00131		BEARING 9X24X7	2,00			--
0006	PMVR00872		GEAR 1 RIDUZ.(CAVO)	1,00			--
0008	PMVR00870		ASSEMBLED INGRANAGGIO 2 RIDUZIONE	1,00		27/11/2005	--
0008	PMVR01210			1,00	28/11/2005	07/05/2006	--
0008	PMVR00870		ASSEMBLED INGRANAGGIO 2 RIDUZIONE	1,00			--
0009	CNPR00387		LUBRICATING OIL GRASSO GREASE SLL/00 SE	0,25		07/05/2006	--
0009	CNPR00371		GASKET	1,00			--
0010	GUGO00277		OIL SEAL 25X35X7	2,00			--
0011	MFVR00137		BOX INFERIORE	1,00			--
0012	MFVR00134		DRIVE DISK ALUMINIUM S.B.	1,00			--
0015	MOMO00192		MOTOR	1,00			--
0016	MFVR00135		COVER SUPERIORE RIDUTTORE 450	1,00			--
0017	MTIG00095		PINION MOTORE	1,00			--
0018	VTRS00245		WASHER D.6 UNI 6592 INOX	3,00			--
0019	VTVT00841		SCREW TE M 6X65 UNI 5739 INX	3,00			--
0020	VTVR13165		KEY UNI 6604 5X5X20	1,00			--
0021	VTVT17720		SCREW TCEI M 5X16 INOX	1,00			--
0022	LAFN04102		WASHER DIST.PER RIDUTTORE	1,00			--
0023	VTRS00246		WASHER D. 6	4,00			--
0024	RCVR00543		CONNECTOR A GOMITO	1,00			--
0029	VTVT00841		SCREW TE M 6X65 UNI 5739 INX	3,00			--
0030	VTVT00859		SCREW TCEI M. 6-55 INOX	1,00			--
0031	LAFN04187		SPACER PER RIDUTTORE	3,00			--
0032	VTDD15518		NUT M 6 INX	3,00			--
0070	GUVR00214		GASKET P184 RIDUTTORE	1,00			--
0071	GUVR00215		GASKET P184 MOTORE	1,00			--
0072	VTDD01694		NUT M6 INOX	3,00			--
0073	VTRS13750		WASHER D. 5X14 INX	1,00			--
0074	VTVT15515		SCREW TE M 6X 50 INOX A2	4,00			--
0075	VTRS13945		WASHER D. 6X18 INX UNI 6593	1,00			--



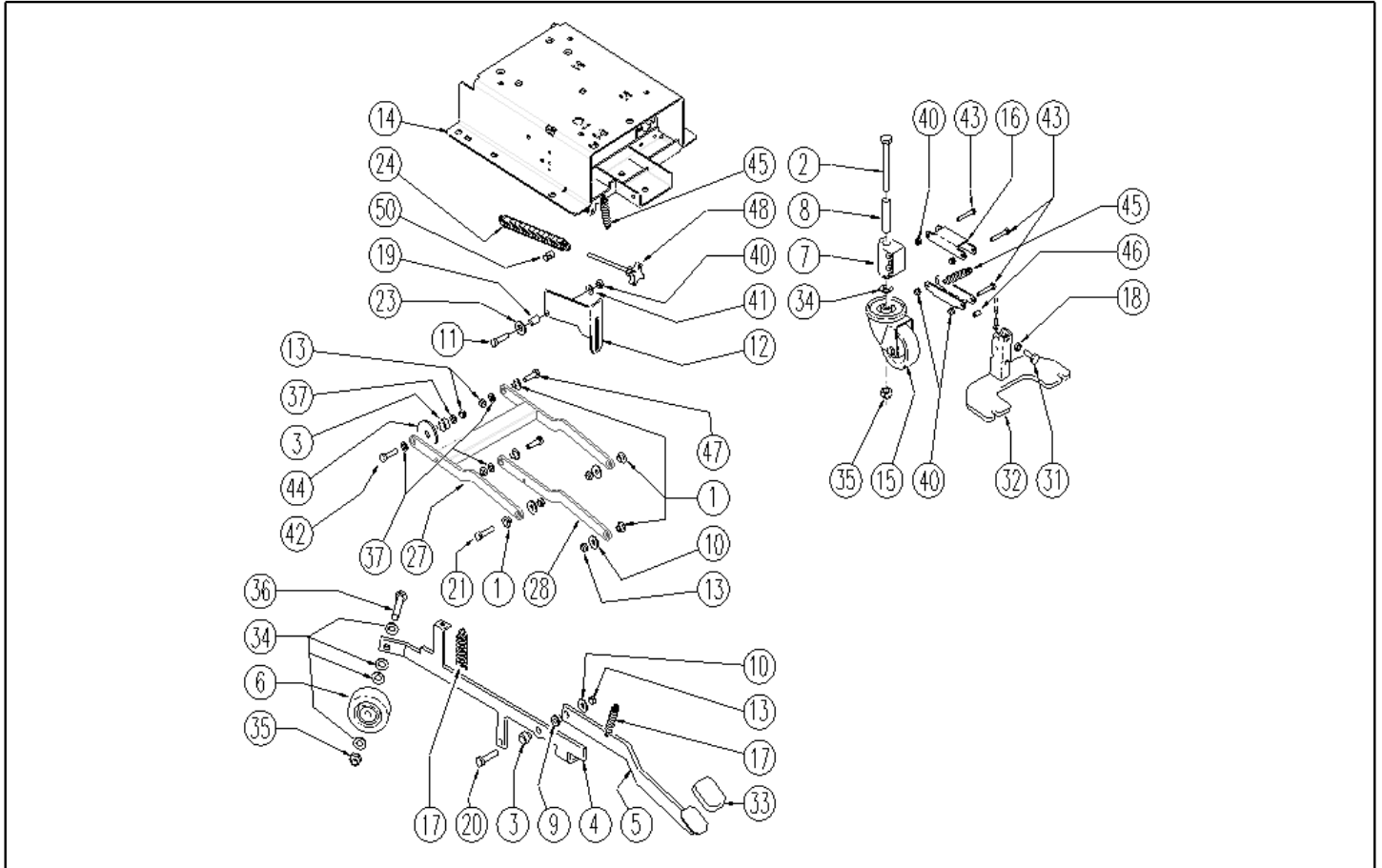
Ref. K	Part n.	Part n. 2	Description	Quantity	Validity		Price
					From	To	
0001	MPVR04051		TANK CAP	1,00			--
0002	MPVR49942		LEVER SQUEEGEE LIFTING PP	1,00			--
0003	VTDD01694		NUT M6 INOX	4,00	20/04/2009		--
0004	TBBP00405		TUBE SCARICO	1,00		21/06/2010	--
0004	TBBP00456		TUBE RECOVERY DRAIN	1,00	22/06/2010	01/02/2011	--
0004	TBFX00348		TUBE CT40-70-90 HOSE DRAIN	1,00	02/02/2011	02/04/2013	--
0004	TBFX00358		TUBE PU CT40/70/90	1,00	03/04/2013		--
0005	LAFN05865		PLATE COPRILEVA CONSENSO	1,00			--
0006	LAFN05863		ROD RUBINETTO	1,00			--
0007	MPVR46988		CLIP FIXATION DRAIN HOSE	1,00			--
0008	VTVT07725		SCREW TE 5X16 UNI5739 INX	4,00			--
0009	VTVT15906		SCREW TE 6X 12 A2 UNI 5739	2,00			--
0010	VTVT15143		SCREW TE 6X16 UNI5739	3,00			--
0011	GUGO00292		GASKET OR 6162	1,00		20/05/2009	--
0011	GUGO00216		GASKET TANK DRAIN HOSE CUFF	1,00	21/05/2009		--
0012	LAFN03626		SPACER	2,00			--
0013	CMCV00312		CABLE SOLLEVAMENTO SQUEEGEE	1,00		05/07/2007	--
0013	CMCV00428		CABLE SQUEEGEE	1,00	06/07/2007		--
0014	LAFN06490		HANDLE	1,00			--
0015	MLML00203		SPRING	1,00			--
0016	VTRS00251		WASHER 4-16 INOX A2	1,00			--
0017	VTVT00800		SCREW TC 4X12 ZN	1,00			--
0018	VTVT21096		SCREW TE M 4X 10 INX	2,00			--
0019	LAFN05870		BRACKET SQUEEGEE LIFTING	1,00			--
0021	VTRS13947		WASHER D. 8 INX UNI 6592	2,00			--
0022	LAFN05861		LEVER CONSENSO SPAZZOLE	1,00		15/06/2014	--
0022	LAFN09339		LEVER HANDLE ACTIVATION	1,00	16/06/2014		--
0023	VTDD01694		NUT M6 INOX	2,00			--
0024	LAFN05908		ROD COMANDO RUBINETTO	1,00			--
0026	GUGO00263		GASKET SEAL CAP REC. TANK	1,00			--
0027	FTDP00133		FILTER VACUUM MOTOR	1,00			--
0028	MPVR04146		KNOB IN PVC MOD. 1001 FORO D.6	1,00			--
0029	MPVR04716		RING NUT 1"1/2	1,00			--
0030	MPVR05064		CAP COMPLETO	1,00		21/06/2010	--
0031	MPVR51086		TUBE INT.SERB.RECUP.	1,00			--
0032	VTVT00814		SCREW TE M.4-25	2,00			--
0033	VTRS00515		WASHER D. 4 INX	2,00			--
0034	VTRS00274		WASHER NYLON 66 D.8,4-17-2 UNI	4,00			--
0035	GUGO00417		GASKET SCATOLA ASPIRAZIONE	1,00			--
0036	FTDP00185		BOX ASPIRAZIONE	1,00		28/01/2009	--
0036	MPVR05482		BOX -	1,00	29/01/2009		--
0037	VTDD15925		NUT M 4 INX+ZN	2,00			--
0038	GUGO00418		GASKET CONDOTTO ASPIRAZIONE	1,00			--
0039	PMVR01129		TUBE C/DEFLETTORE	1,00	08/05/2006		--



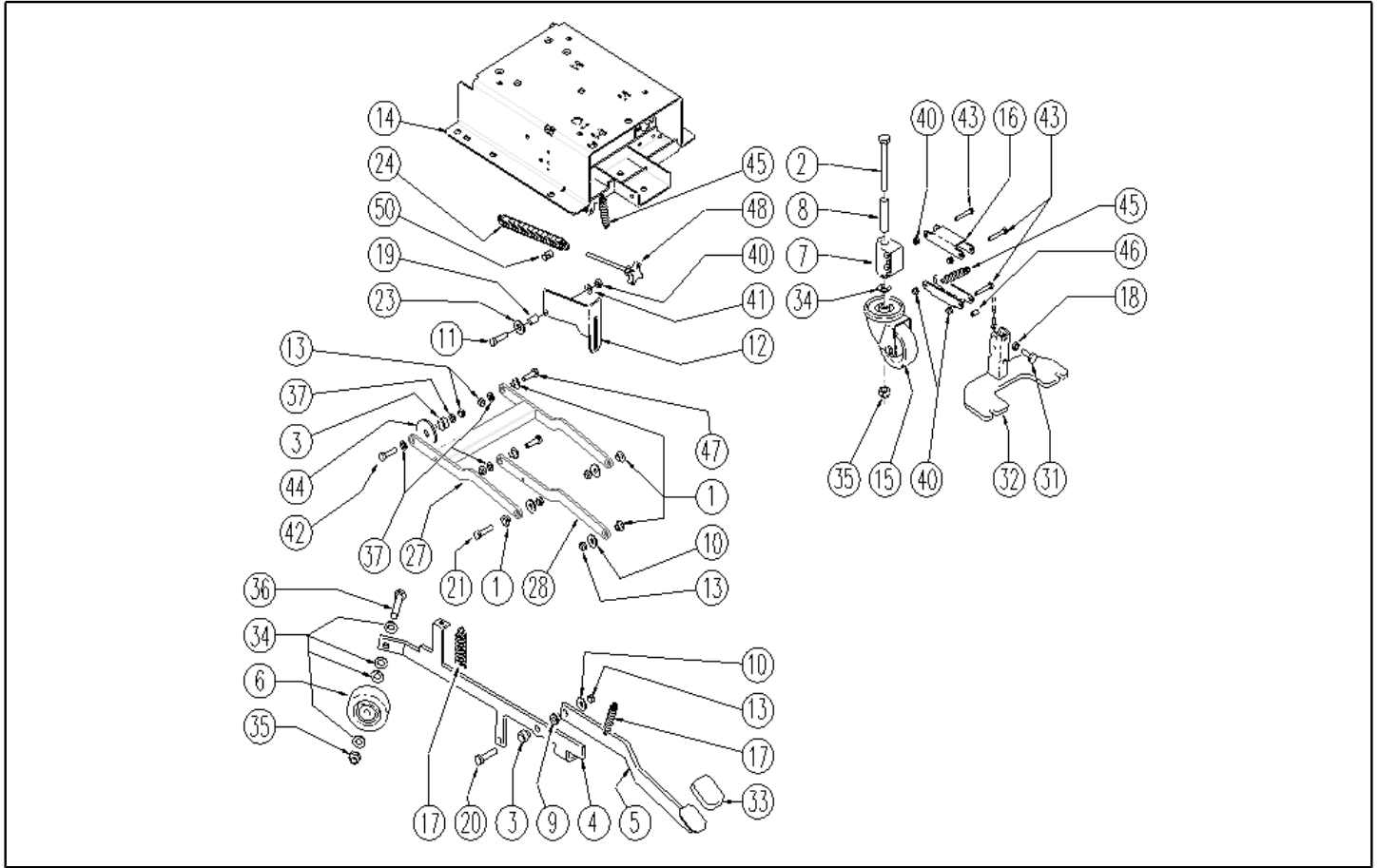
Ref. K	Part n.	Part n. 2	Description	Quantity	Validity		Price
					From	To	
0040	GUGO00245		GASKET	2,00			--
0041	RCVR00504		CONNECTOR DRITTO FEMM.	1,00		03/02/2009	--
0042	FSVR43136		CLAMP D. 35-40 DF.	1,00		03/02/2009	--
0046	TBBP00407		TUBE L=990 d.i.350	1,00		03/02/2009	--
0046	TBBP00454		TUBE TERGI D.40	1,00	04/02/2009	19/10/2010	--
0046	TBBP00478		TUBE CT40 L=1040	1,00	20/10/2010	15/01/2012	--
0046	TBFX00352		TUBE SUCTION PU FOR CT40	1,00	16/01/2012		--
0047	VTDD01693		NUT M 5 INX	2,00	30/04/2009		--
0048	VTRS00516		WASHER D. 5 INX	4,00	30/04/2008		--
0049	VTVR01038		WASHER -	1,00	30/04/2009		--
0050	MPVR05596		PROTECTION -	1,00	30/04/2009		--
0051	VTVT01150		SCREW 4x10	1,00	30/04/2009		--
0052	VTVT07725		SCREW TE 5X16 UNI5739 INX	2,00	30/04/2009		--
0053	LAFN07631		BRACKET -	1,00	30/04/2009		--
0054	FSVR00248		CLAMP -	1,00	20/10/2010		--



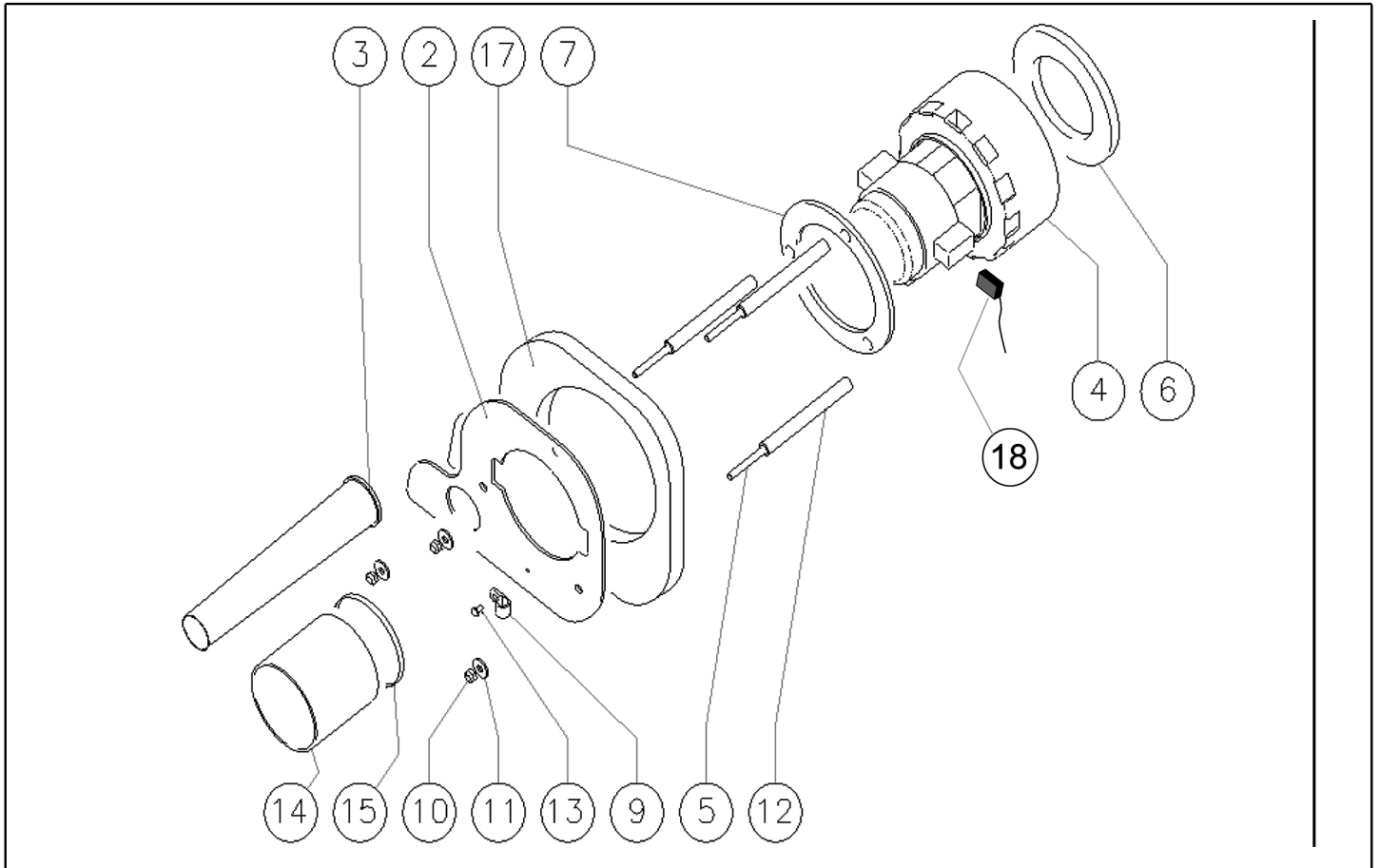
Ref. K	Part n.	Part n. 2	Description	Quantity	Validity		Price
					From	To	
0001	FTAC48857		FILTER SOLUTION TANK INLET	1,00			--
0004	MPVR48695		PIN SHK.BK	2,00		10/09/2014	--
0004	MPVR06407		PIN -	2,00	11/09/2014		--
0006	KTRI03463		DISCHARGE CAP SCARICO SERBATOIO SOLUZ.	1,00		30/11/2011	--
0006	MPVR08003		CAP	1,00	01/12/2011	30/11/2016	--
0006	MPVR10774		CAP 1/2"	1,00	01/12/2016		--
0007	VTRS15144		WASHER D. 6 INX GRW UNI 1751	1,00			--
0008	VTVT01303		SCREW TE M6-10 INOX	1,00			--
0009	LAFN06489		PLATE	1,00			--
0010	LAFN05862		ROD RUBINETTO	1,00			--
0015	FSVR00099		CLAMP FERMATUBO	2,00			--
0016	VTRS00515		WASHER D. 4 INX	2,00			--
0017	VTVT48694		SCREW TCB TC 5 X12 UNI 9707 TZ	2,00		10/09/2014	--
0018	VTVT37012		SCREW M 4X 10 TCB-TC INX	2,00			--
0019	VTVT15961		SCREW M 5X 16 TCB TC UNI 7687	1,00			--
0020	PMVR02028		RUBBER GRUPPO MONTAGGIO	2,00			--
0021	VTVR48693		INSERT FILETTATO M6	1,00			--
0022	MPVR49471		LEVER SHK	1,00			--
0023	VTDD01694		NUT M6 INOX	1,00			--
0024	VTVT15143		SCREW TE 6X16 UNI5739	1,00			--
0025	VTRS13945		WASHER D. 6X18 INX UNI 6593	1,00			--
0027	KTRI03463		DISCHARGE CAP SCARICO SERBATOIO SOLUZ.	1,00		30/11/2011	--
0027	MPVR08003		CAP	1,00	01/12/2011		--
0028	MPVR51085		FLAP POSTER.TERGI 950 MAGG.	1,00			--
0029	VTVT15916		SCREW TE M 8X 16 UNI 5739 A2	4,00			--
0030	VTRS13947		WASHER D. 8 INX UNI 6592	4,00			--
0031	VTRS00269		WASHER D. 8 DIN 6798-A INX A2	4,00			--
0032	GUGO00267		GASKET SOLUTION TANK FILTER	1,00			--



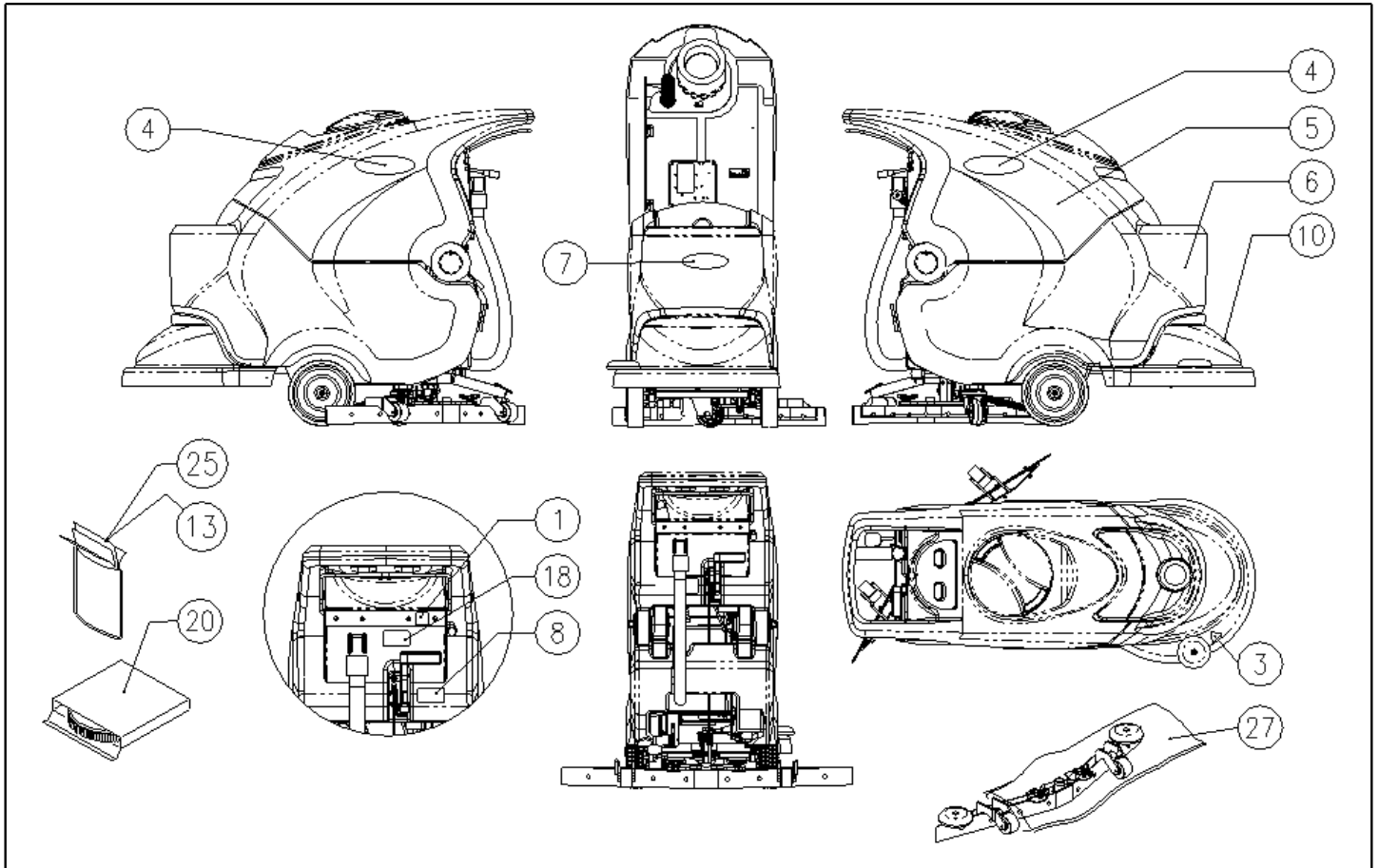
Ref. K	Part n.	Part n. 2	Description	Quantity	Validity		Price
					From	To	
0001	LAFN06391		BUSHING BRUSH DECK SUPPORT	5,00			--
0002	VTVT24212		SCREW TE M 12X100 UNI 5737 INOX	1,00			--
0003	LAFN04190		BUSHING PARALLELOGR.TEST.GR.	2,00			--
0004	LAFN06359		LEVER SOLLEVAMENTO	1,00		08/09/2010	--
0004	LAFN07872		LEVER -	1,00	09/09/2010		--
0005	LAFN06417		LEVER -	1,00		16/06/2009	--
0005	LAFN07602		LEVER -	1,00	17/06/2009	30/06/2013	--
0005	LAFN09270		PEDAL BRUSH HEAD LIFTING	1,00	01/07/2013		--
0006	RTRT49171		CASTER D. 80-12	1,00			--
0007	MPVR04734		BLOCK TERGI	1,00			--
0008	LAFN04188		PIN ROTAZIONE SQUEEGEE	1,00			--
0009	LAFN51068		BUSHING LEVA POSTER.	1,00			--
0010	VTRS13946		WASHER D. 8 X24 INX UNI 6593	4,00			--
0011	VTVT00161		SCREW TE M6X20	1,00		26/02/2019	--
0011	VTVT13939		SCREW TE 6X20 UNI5739 INX	1,00	27/02/2019		--
0012	LAFN10124		PLATE	1,00			--
0013	VTDD01695		NUT M 8 INX	7,00			--
0014	LAFN07293		BASE SERBATOIO	1,00			--
0015	RTRT00276		SMALL WHEEL GIREVOLE PER SPAZZANTE	1,00		15/03/2017	--
0015	RTRT00518		WHEEL CASTOR D.80X30	1,00	16/03/2017		--
0016	LAFN05853		LEVER ARM SOLLEVAMENTO TERGI	2,00			--
0017	MLML34726		SPRING TR E350 N	2,00			--
0018	VTDD15521		NUT M 8 INX A2 UNI 5588	1,00			--
0019	LAFN03840		BUSHING	1,00			--
0020	VTVT15917		SCREW TE M 8X50 INOX A2 UNI	1,00			--
0021	VTVT15907		SCREW TE 8X25 UNI5739 INX	3,00			--
0023	VTRS00274		WASHER NYLON 66 D.8,4-17-2 UNI	1,00			--
0024	MLML31130		SPRING D. 17,5 X110 N38	1,00			--
0026	VTDD15925		NUT M 4 INX+ZN	1,00			--
0027	LAFN06388		ARM TESTATA SUPERIORE	1,00			--
0028	LAFN06389		ARM PARALLELOGRAMMA	1,00			--
0031	VTVT13937		SCREW TE M 8X 30 INX UNI 5739	1,00		19/04/2011	--
0031	VTVT00410		SCREW TE M8x35 UNI5739 INOX	1,00	20/04/2011		--
0032	LAFN06355		PLATE SQUEEGEE	1,00		23/04/2009	--
0032	LAFN07560		PLATE -	1,00	24/04/2009		--
0033	MPVR04139		RUBBER PEDALINO	1,00		24/10/2006	--
0033	MPVR05186		COVER -	1,00	25/10/2006		--
0034	VTRS00312		WASHER D.13 x24 INOX	5,00			--
0035	VTDD00176		NUT M.12 INOX A2 BASSO AUTOB.	2,00			--
0036	VTVT00836		SCREW TE M12-60 INOX	1,00			--
0037	VTRS13947		WASHER D. 8 INX UNI 6592	4,00			--
0040	VTDD01694		NUT M6 INOX	5,00			--
0041	VTRS00245		WASHER D.6 UNI 6592 INOX	1,00			--
0042	VTVT00410		SCREW TE M8x35 UNI5739 INOX	1,00			--



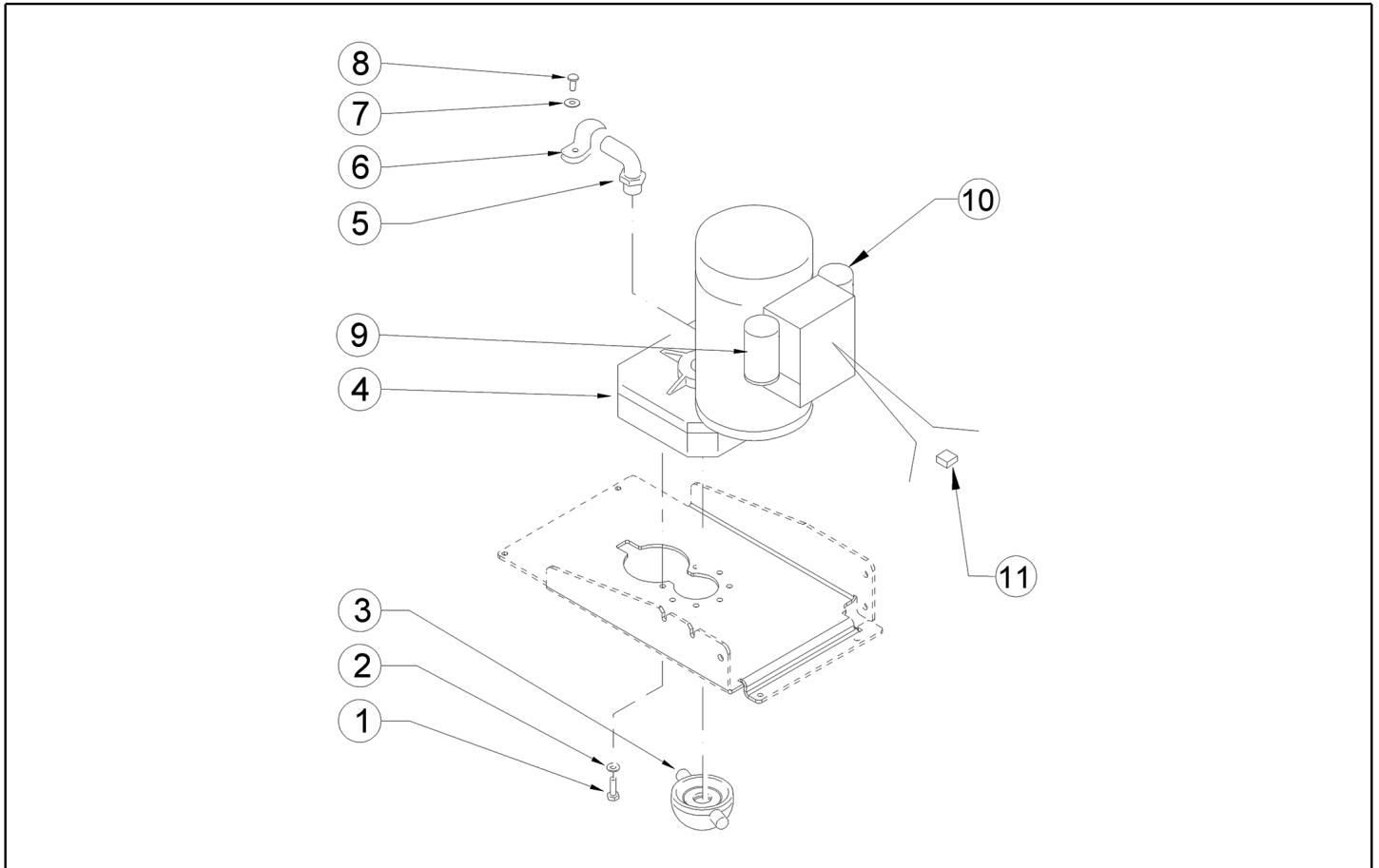
Ref. K	Part n.	Part n. 2	Description	Quantity	Validity		Price
					From	To	
0043	VTVT01683		SCREW TE 6X40	4,00			--
0044	MPVR05134		GASKET D.60 FORO D.12 SP.2	1,00			--
0045	MLML00303		SPRING L=54,1 D.=9,4	2,00			--
0046	LAFN03742		SPACER SILENZIATORE	1,00		29/06/2008	--
0046	LAFN06898		SPACER 6-8 h15	1,00	30/06/2008		--
0047	VTVT13937		SCREW TE M 8X 30 INX UNI 5739	2,00			--
0048	VTVR35749		HANDWHEEL M 6MAX110 D.35	1,00			--
0050	LAFN35747		SPRING SUPPORT LAV. E/B 450	1,00			--



Ref. K	Part n.	Part n. 2	Description	Quantity	Validity		Price
					From	To	
0002	LAFN06363		FLANGE ASPIRATORE	1,00		14/01/2015	--
0002	LAFN08154		FLANGE -	1,00	15/01/2015		--
0003	TBFX00244		TUBE D 34 L200MM	1,00		14/06/2007	--
0003	MPVR05259		TUBE SCARICO	1,00	15/06/2007		--
0004	MOMO00214		MOTOR 240V	1,00			--
0005	VTVR00198		ROD	3,00			--
0006	GUGO00272		GASKET VACUUM MOTOR CT	1,00			--
0007	MPVR04724		FLANGE IN NYLON	1,00			--
0008	MPVR31077		BUSHING L.450	1,00		14/06/2007	--
0009	FSVR00099		CLAMP FERMATUBO	1,00			--
0010	VTDD01694		NUT M6 INOX	3,00			--
0011	VTRS13945		WASHER D. 6X18 INX UNI 6593	3,00			--
0012	LAFN51078		SPACER SH	3,00			--
0013	VTVT00813		SCREW M 4X 8 TCB-TC UNI 8112	1,00			--
0014	TBFX00268		SUCTION HOSE D80 L=80MM	1,00		30/04/2007	--
0014	TBFX00312		TUBE ASPIRAZIONE	1,00	01/05/2007		--
0015	FSVR00500		CLAMP 80-100 INOX	1,00		30/04/2007	--
0015	FSVR00118		CLAMP D.94	1,00	01/05/2007		--
0017	MPVR05103		SOUND-PROOFING ASPIRATORE	1,00			--
0018	MEVR01938		CARBON X MOT.COD.MOMO00214	2,00			--



Ref. K	Part n.	Part n. 2	Description	Quantity	Validity		Price
					From	To	
0001	ETET01447		LABEL	1,00			--
0003	ETET01014		ADHESIVE ATTENZ.ABRAS.ARTI	1,00			--
0004	ETET01364		LABEL LATERALE	2,00			--
0005	MPVR05084		TANK SUPERIORE	1,00			--
0006	MPVR05085		TANK SOLUTION CT40 RAL7040	1,00			--
0007	ETET02000		LABEL LOGO IPC	1,00			--
0008	ETET01407		PLATE APERTURA SERBATOIO	1,00			--
0010	MPVR04721		COVER	1,00			--
0013	PLDC01423		MANUAL	1,00			--
0018	ETET00704		ADHESIVE SCOLLEGAMENTO SPINA	1,00			--
0020	SPPV29553		BRUSH NYL 0.8 D.460 E450	1,00			--
0025	PLDC01675		MANUAL RIC. CLT40	1,00			--
0027	MIVR00048		TUBE UNIBOL	1,00			--



Ref. K	Part n.	Part n. 2	Description	Quantity	Validity		Price
					From	To	
0001	VTVT15906		SCREW TE 6X 12 A2 UNI 5739	7,00			--
0002	VTRS15144		WASHER D. 6 INX GRW UNI 1751	7,00			--
0003	MFVR00134		DRIVE DISK ALUMINIUM S.B.	1,00			--
0004	MOMO00239		BRUSH MOTOR 230V 50Hz 550W	1,00			--
0005	RCVR00761		HOSE FITTING A GOMITO	1,00			--
0006	FSVR00099		CLAMP FERMATUBO	1,00			--
0007	VTRS00515		WASHER D. 4 INX	1,00			--
0008	VTVT21887		SCREW TCB-TC 4X10 8112	1,00			--
0009	MECO00126		CAPACITOR 30uF	1,00			--
0010	MECO00127		CAPACITOR 88uF+20%	1,00			--
0011	MERL00033		CARRYNG BAG RELE' MOMO00239	1,00			--