



Spare Parts List

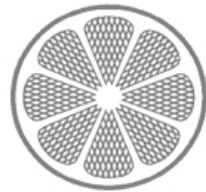
IP Cleaning Srl - Soteco

Ref: ASDO01978

Cust.Ref: 4025 NP

Model: VAC.CL.A.429 MARK.+PUMP W/ACC.

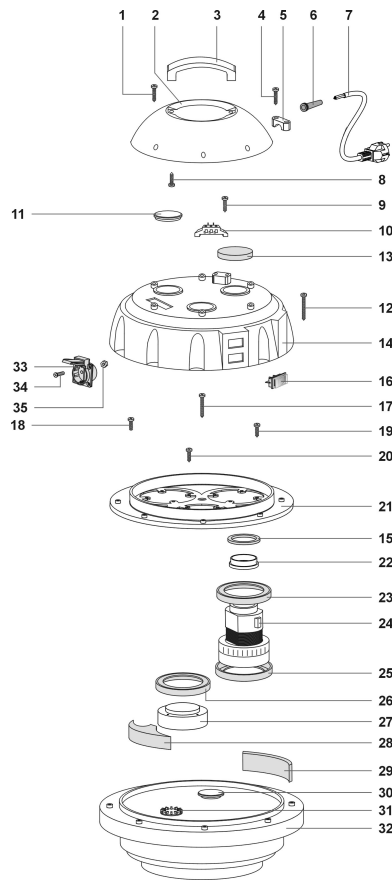
Cust.Model:



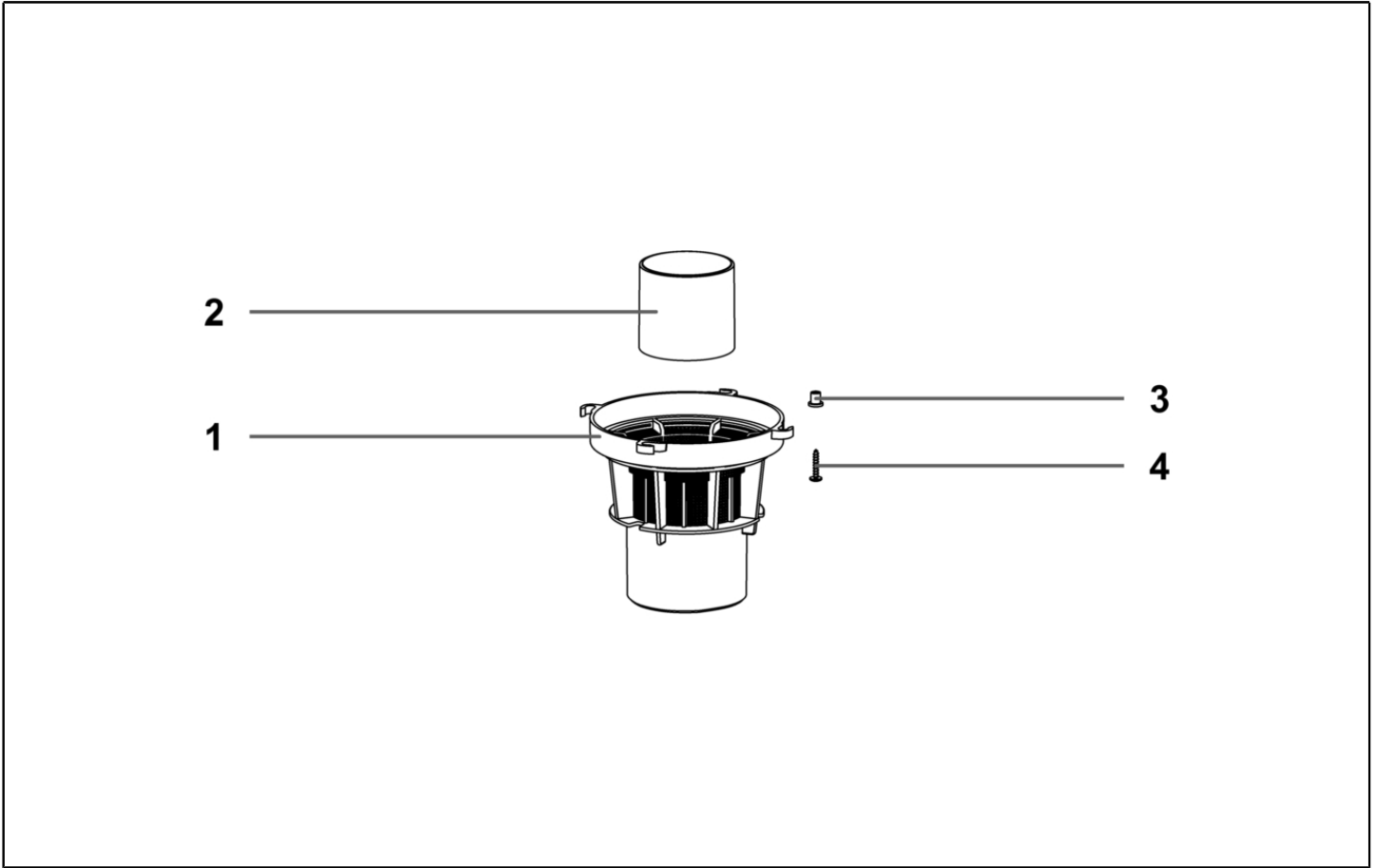
IPC Integrated Professional Cleaning

IPC Soteco

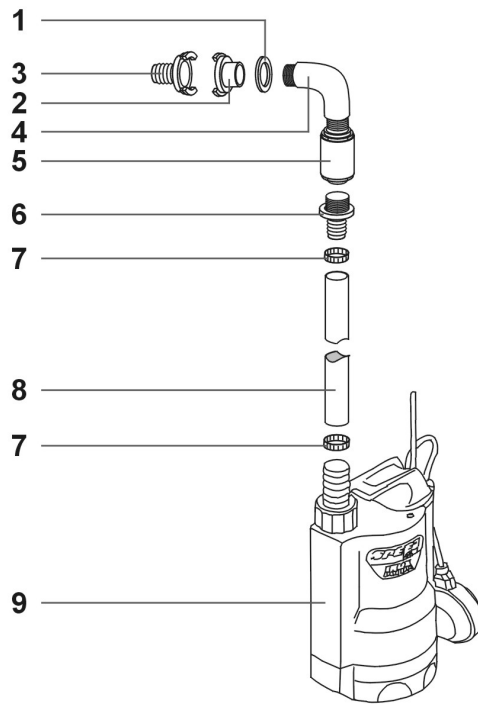
Ref. K	Part N.	Part N. 2	Description	Quantity	Validity		Price
					From	To	
0001	PMTA04448	N/A	HEAD A.429 COMPL.W/STAT.PLATE	1,00			--
0002	KTRI49345	N/A	ANTIHOAM KIT 300/500/400/600	1,00			--
0003	PPBP00071	N/A	SUMP PUMP "SUB" COMP	1,00			--
0004	PMFU00513	N/A	TANK 400 SUB AISI 430 BASE COM	1,00			--
0005	CARR01426	N/A	BLACK TROLLEY MARKET	1,00			--
0006	PMDT00350	N/A	ACCESS.KIT 38 SUB	1,00			--



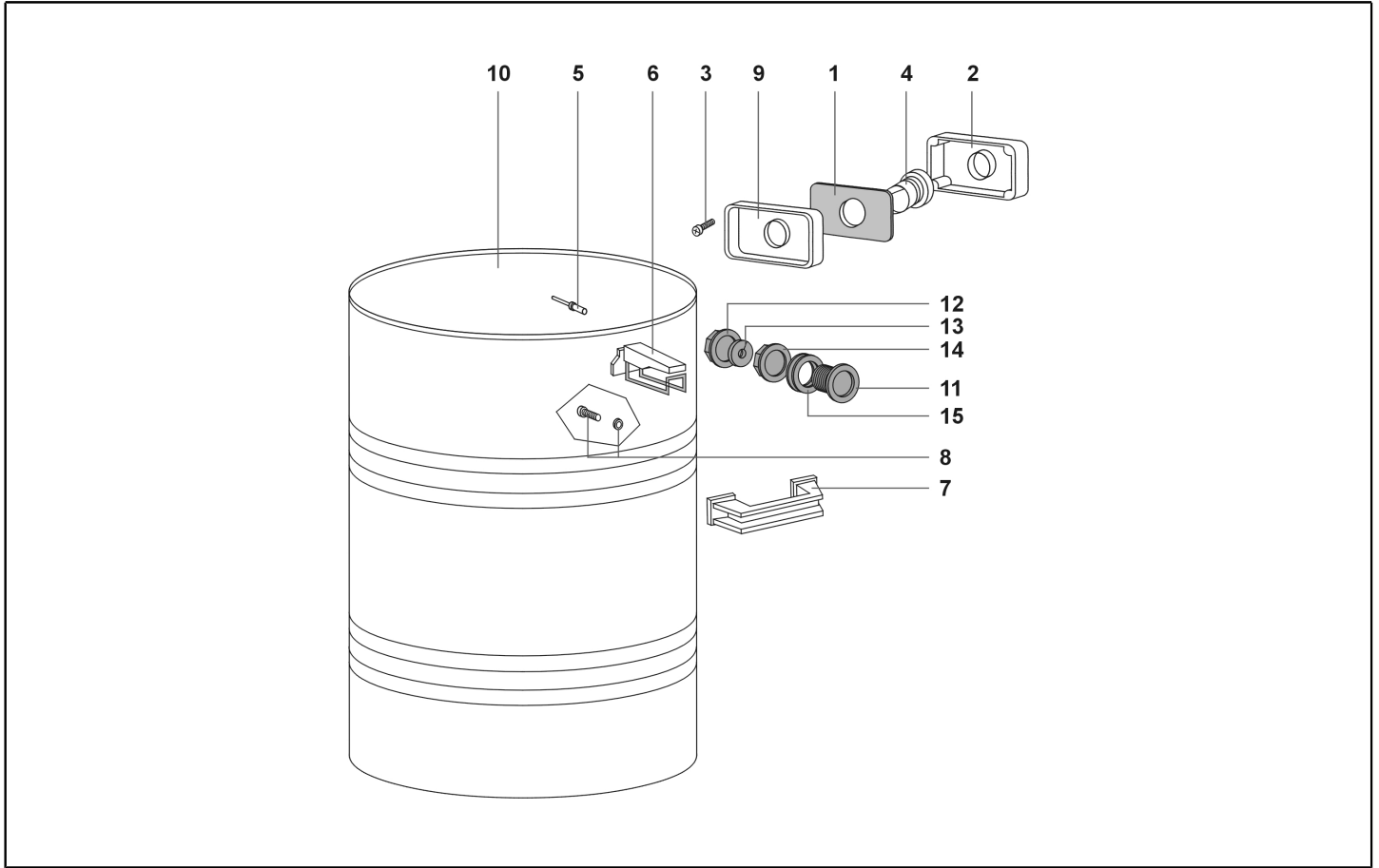
Ref. K	Part N.	Part N. 2	Description	Quantity	Validity		Price
					From	To	
*	MECB01828	N/A	WIRING 40CM MOTOR POKE-IN-TP	2,00			--
*	FSVR00127	N/A	CLAMP	3,00			--
0001	VTVT71961	N/A	SCREW PFU TMT PHL 5X20 ZN NERA	6,00			--
0002	MPVR07637	N/A	BLACK FR.COVER A.400	1,00			--
0003	MPVR34361	N/A	HANDLE "T" AMST.NEW BLACK	1,00			--
0004	VTVT71961	N/A	SCREW PFU TMT PHL 5X20 ZN NERA	2,00			--
0005	MPVR28690	N/A	CABLE CLAMP	1,00			--
0006	MEVR28673	N/A	FAIRLEAD	1,00			--
0007	MECB28740	N/A	ELECTRIC CORD 3X1,5 MT 8,5	1,00	17/10/2016		--
0008	VTVT71961	N/A	SCREW PFU TMT PHL 5X20 ZN NERA	2,00			--
0009	VTVT71960	N/A	SCREW SCREW PAT TMT PHL 5X14 ZN	2,00			--
0010	PMQE00250	N/A	ELECTRIC KIT 400 2MOT. RAD +PI +SCH	1,00			--
0011	MPVR38053	N/A	COVERING CAP	1,00			--
0012	VTVT71971	N/A	SCREW PAT TMT PHL 5X35 BLACK	8,00			--
0013	FTDP38064	N/A	FILTER MTP/65 H=15 D.95	2,00			--
0014	PMVR04515	N/A	COVERING A.400 2 M. SCHUKO BLACK	1,00			--
0015	MPVR38371	N/A	WASHER H8 D85X65	2,00			--
0016	MECI28744	N/A	ANTISPLASH RED LIGHT SWITCHER	2,00			--
0017	VTVT71966	N/A	SCREW PAT TMT PHL 5X30 BLACK	1,00			--
0018	VTVT01041	N/A	SCREW TC CROSS M 5X15 UNI 7687	1,00			--
0019	VTVT71961	N/A	SCREW PFU TMT PHL 5X20 ZN NERA	8,00			--
0020	VTVT71961	N/A	SCREW PFU TMT PHL 5X20 ZN NERA	4,00			--
0021	MPVR40750	N/A	MOTOR FASTENER 400BLACK	1,00			--
0022	MPVR40749	N/A	RING MOTORE H=34 (41) PLAST.	2,00			--
0023	GUGO28683	N/A	"L" GASKET W/O HOLES H=5,5	2,00			--
0024	MOMO28716	N/A	MOT.BD302 1000W 220-240V 50-60HZ	2,00			--
0025	GUGO28683	N/A	"L" GASKET W/O HOLES H=5,5	2,00			--
0026	GUGO28683	N/A	"L" GASKET W/O HOLES H=5,5	1,00			--
0027	MPVR07346	N/A	FAKE MOTOR	1,00			--
0028	FTDP38057	N/A	ANTINOISE TRIANGLE H=51	3,00			--
0029	FTDP28745	N/A	GASKET MTP/30 AU-AD 50X10X85	3,00			--
0030	MPVR38058	N/A	BASE CAP	1,00			--
0031	MPVR28748	N/A	AUTOMATIC VALVE	2,00			--
0032	MPVR38059	N/A	BASE 600/400 W/STAT.PLATE BLACK	1,00			--
0033	MEVR38061	N/A	SCHUKO ADD.SOCKET W/PROTECTION	1,00			--
0034	VTVT01192	N/A	SCREW TSP CROSS M 4X12 UNI 7688	4,00			--
0035	VTDD00242	N/A	NUT 4 M NYLON	4,00	01/02/2019		--



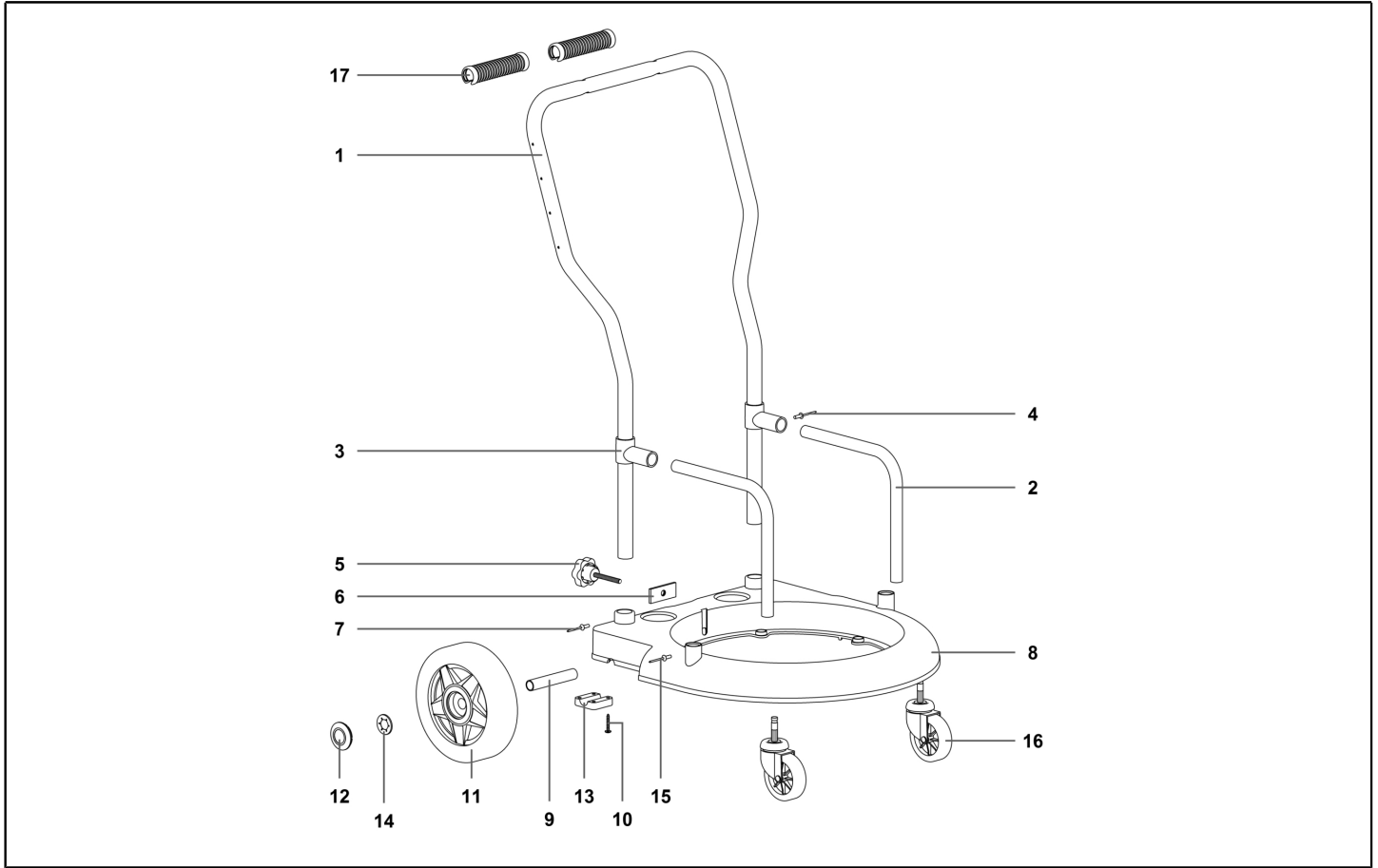
Ref. K	Part N.	Part N. 2	Description	Quantity	Validity		Price
					From	To	
0001	MPVR40521	N/A	NET ANTIFOAM BODY HIGH	1,00			--
0002	RCGR40008	N/A	HIGH FLOAT 99 W/GASKET 37 SHA	1,00			--
0003	MPVR35796	N/A	BUSHING PLASTIC SLEEVE D.8	4,00			--
0004	VTVT36751	N/A	SCREW SCREW PAT TMT PHL 5X25	4,00			--



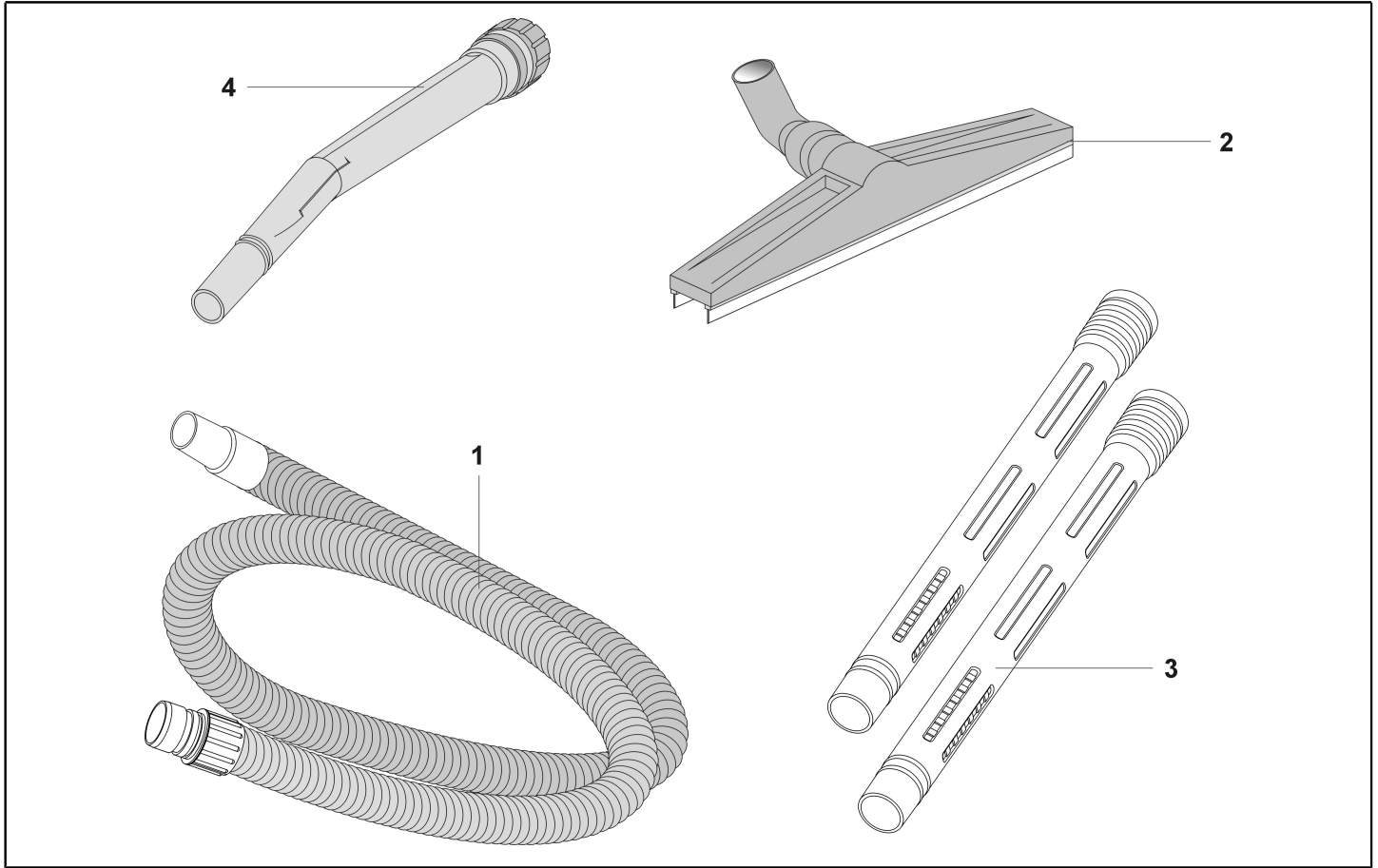
Ref. K	Part N.	Part N. 2	Description	Quantity	Validity		Price
					From	To	
0001	VTRS00436	N/A	WASHER TO 1"	2,00			--
0002	RCIN00038	N/A	QUICK FITTING FEMALE 1" BRASS	1,00			--
0003	RCIN00039	N/A	QUICK FITTING RAPID BRASS COUPL.FOR FIT	1,00			--
0004	RCVR00865	N/A	BRASS ELBOW 90° 1" M-1" M	1,00			--
0005	VVAZ00019	N/A	RETAINING VALVE 1" CLAPET	1,00			--
0006	RCVR00866	N/A	BRASS HOSE FIT. 1"M DIA 30	1,00			--
0007	FSVR00129	N/A	CABLE TIE 25X45	2,00			--
0008	TBBP00648	N/A	ANTIFREEZE TUBE D.30 PER METER	0,10			--
0009	PPBP00070	N/A	SUMP PUMP	1,00			--



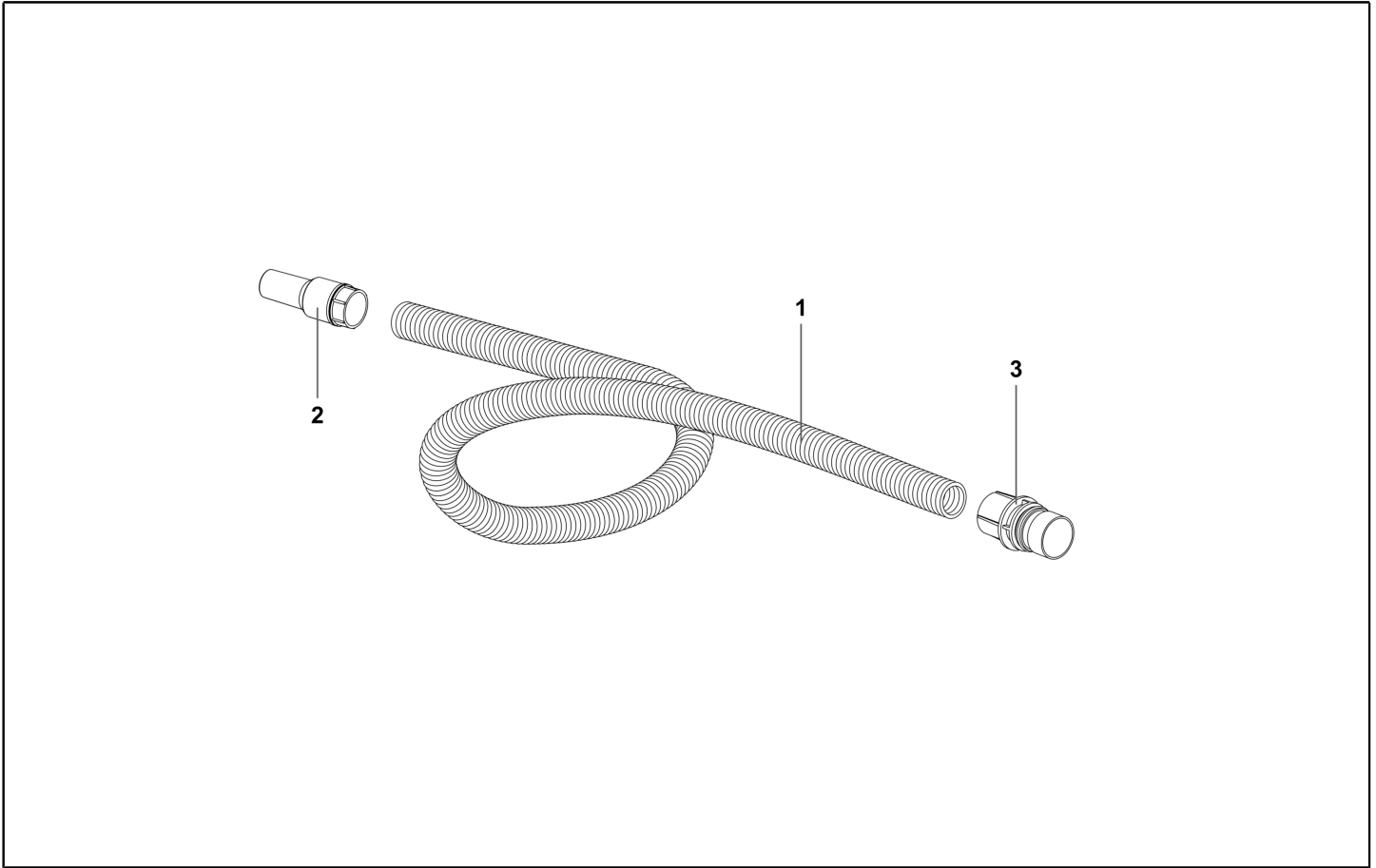
Ref. K	Part N.	Part N. 2	Description	Quantity	Validity		Price
					From	To	
0001	GUGO28701	N/A	GASKET D.38	1,00			--
0002	MPVR72109	N/A	INLET R 155 BLACK	1,00			--
0003	VTVT71966	N/A	SCREW PAT TMT PHL 5X30 BLACK	4,00			--
0004	MPVR28696	N/A	DEFLECTOR 99	1,00			--
0005	VTVR71991	N/A	RIVET 5X11	4,00			--
0006	CHVR40000	N/A	UNIVERSAL METAL HOOK	2,00			--
0007	MPVR28737	N/A	BLACK HANDLE	2,00			--
0008	RIGE00015	N/A	COMPLETE SEAL W/SCREW L=25	4,00			--
0009	GUGO28736	N/A	GASKET R 205 BLACK	1,00			--
0010	LAFN06643	N/A	TANK 400 SUB AISI 430	1,00			--
0011	MPVR10134	N/A	FILL PIPE UNION 1-1/2" TURNED	1,00			--
0012	MPVR06804	N/A	RING NUT 1-1/2"	1,00			--
0013	MEVR01793	N/A	"SUB" FAIRLEAD	1,00			--
0014	MPVR05731	N/A	CONNECTION 1-1/2"	1,00			--
0015	GUVR00385	N/A	GASKET 1 1/2"	2,00			--



Ref. K	Part N.	Part N. 2	Description	Quantity	Validity		Price
					From	To	
0001	LAFN09734	N/A	HANDLE MARKET 400 BLACK	1,00			--
0002	MPVR02240	N/A	VARNISHED SUPPORT TUBE	2,00			--
0003	LAFN03247	N/A	HOSE T ST.MKT	2,00			--
0004	VTVR00396	N/A	RIVET 4,8X17 BLACK	2,00			--
0005	VTVR00162	N/A	HAND-WHEEL M 8X60	1,00			--
0006	LAFN06613	N/A	PLATE LOCKING THREADED	1,00			--
0007	VTVR00396	N/A	RIVET 4,8X17 BLACK	2,00			--
0008	MPVR08479	N/A	TROLLEY BODY 400 MARKET B	1,00			--
0009	LAFN09549	N/A	WHEEL PIN D.18X105 SP.1.5 ZN	2,00			--
0010	VTVT71966	N/A	SCREW PAT TMT PHL 5X30 BLACK	8,00			--
0011	RTRT85069	N/A	REAR WHEEL D.200	2,00			--
0012	MPVR85070	N/A	WHEEL CAP D.200/250 BLACK	2,00			--
0013	MPVR28774	N/A	LOCK PIVOT BRACKET	2,00			--
0014	MPVR86321	N/A	BLOC. D.18	2,00			--
0015	VTVR00396	N/A	RIVET 4,8X17 BLACK	2,00			--
0016	RTRT40020	N/A	FRONT WHEEL D.80 W/PIVOT	2,00			--
0017	MPVR02288	N/A	PLAST.TROLLEY HANDLE	2,00			--



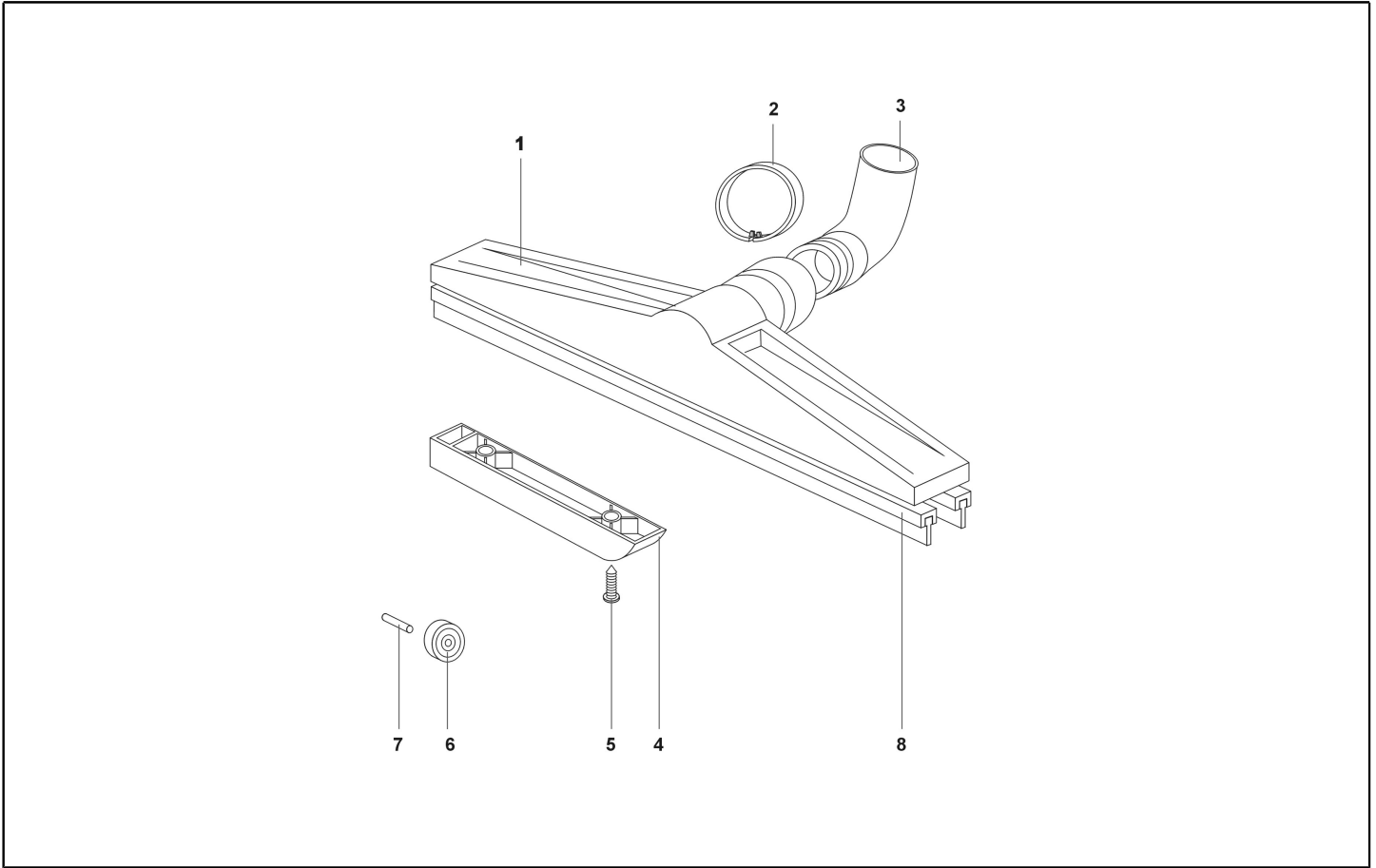
Ref. K	Part N.	Part N. 2	Description	Quantity	Validity		Price
					From	To	
0001	TBFX28237	N/A	FLEX HOSE D.38 MT.2,5 COMPL.	1,00			--
0002	SPPV43051	N/A	CURVED WET TOOL 400 D.38	1,00			--
0003	LAFN43048	N/A	EXTENSION FOR VACUUM CLEANER	2,00			--
0004	MPVR43047	N/A	EXTENSION CURVED EXTENSION	1,00			--



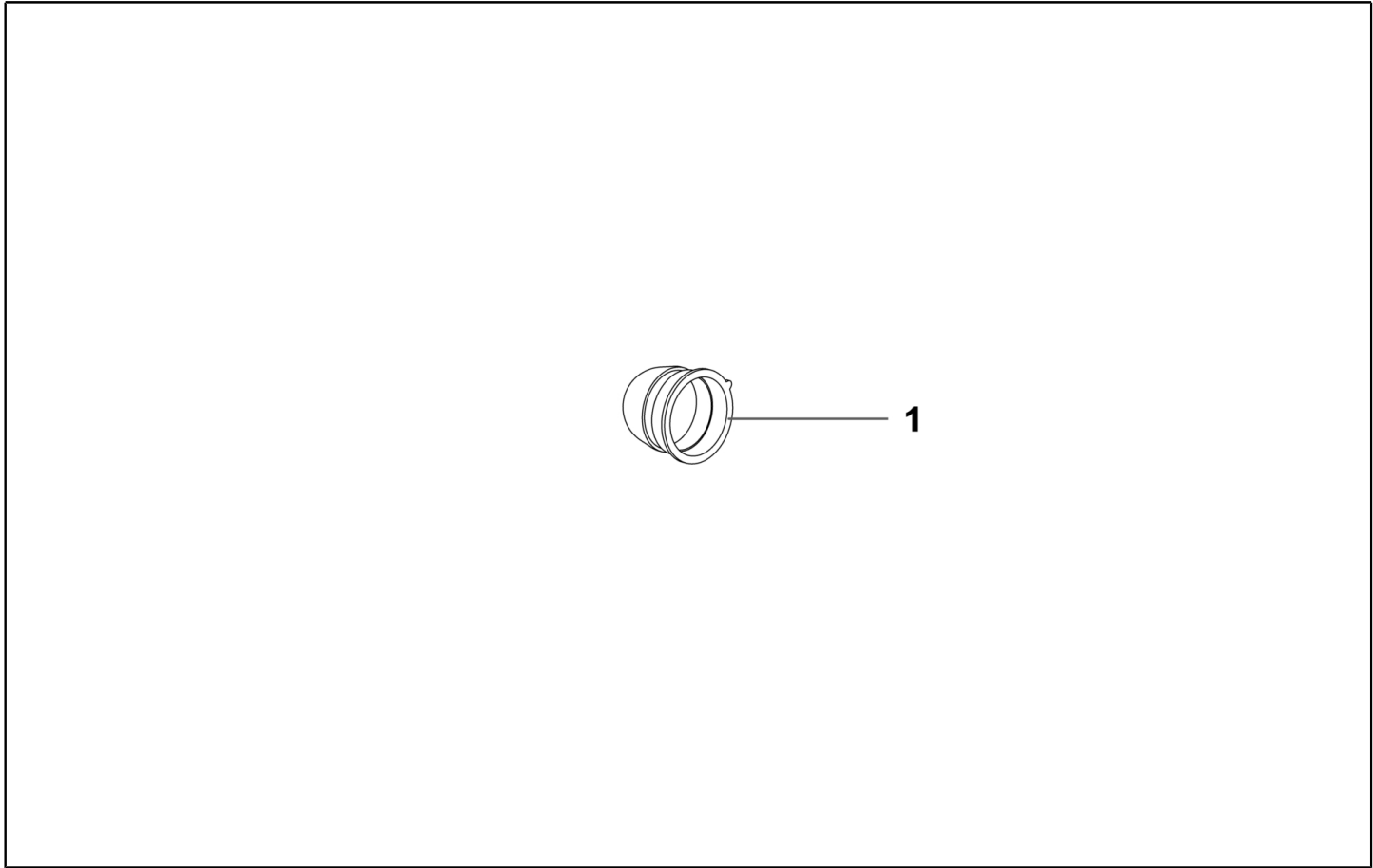
Ref. K	Part N.	Part N. 2	Description	Quantity	Validity		Price
					From	To	
0001	TBFX00558	N/A	FLEXIBLE HOSE 38 GR5500 AL METRO	2,37			--
0002	RCVR72221	N/A	ROTATING CUFF D.38/D.38	1,00			--
0003	MPVR07479	N/A	SLEEVE TUBOFLEX D.38/D.38 C/OR	1,00			--



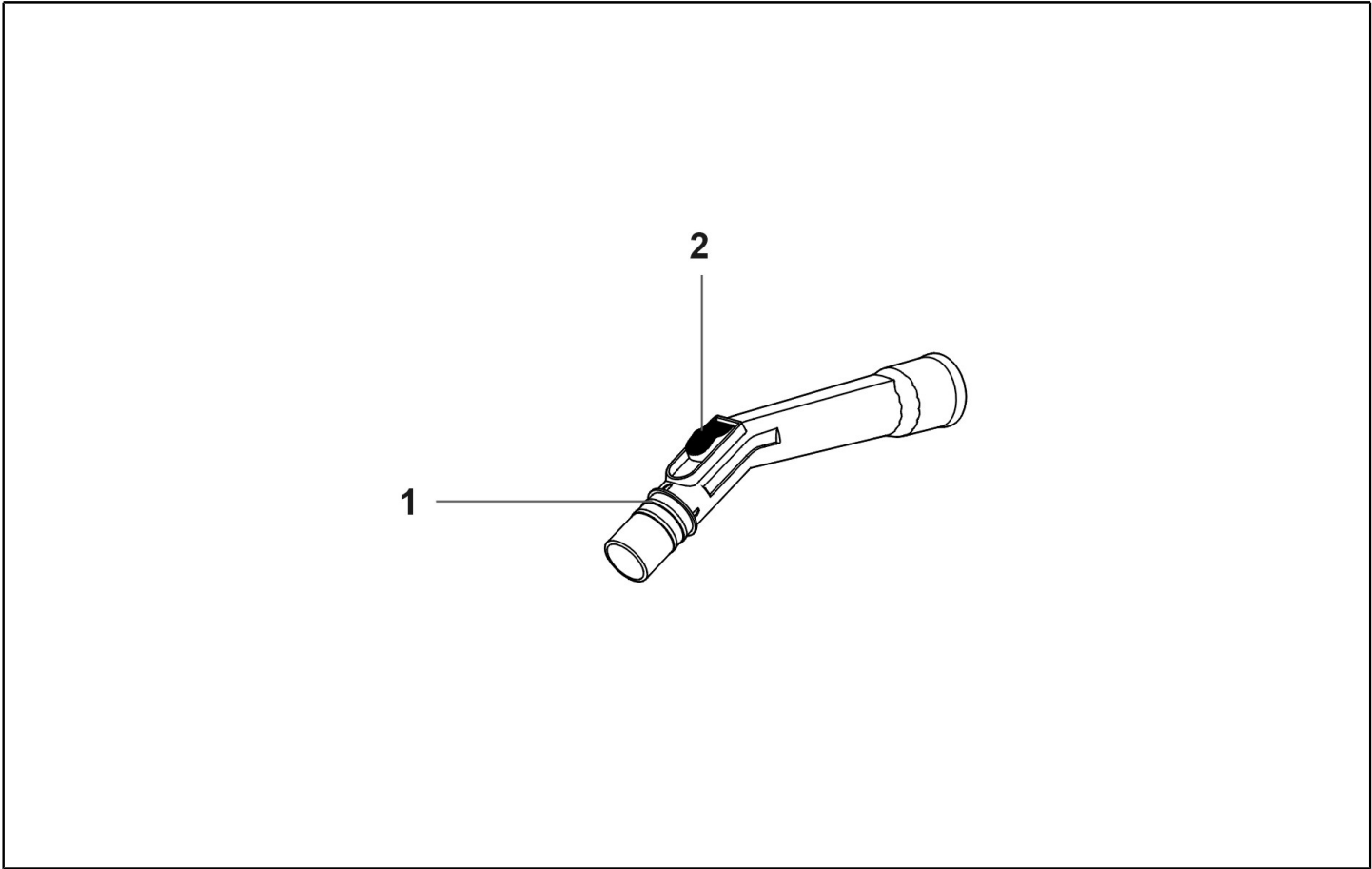
Ref. K	Part N.	Part N. 2	Description	Quantity	Validity		Price
					From	To	
0001	VTRS00436	N/A	WASHER TO 1"	1,00			--
0001	VTRS00436	N/A	WASHER TO 1"	1,00			--



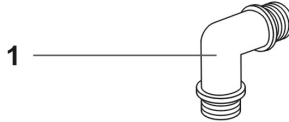
Ref. K	Part N.	Part N. 2	Description	Quantity	Validity		Price
					From	To	
0001	MPVR06726	N/A	BRUSH BODY 400	1,00			--
0002	MPVR49176	N/A	ELASTIC RING NUT BRUSH 400	1,00			--
0003	MPVR02289	N/A	BRUSH 400 ELBOW CLUTCH D.38	1,00			--
0004	MPVR06728	N/A	WHEEL HOLDER SUPPORT BRUSH 400	2,00			--
0005	VTVT01193	N/A	SCREW PAT TMT PHL 5X15 ZN BLACK	4,00			--
0006	RTRT87117	N/A	WHEEL D.25 BRUSH 300/400	2,00			--
0007	LAFN86068	N/A	PIVOT 5 X 17,5 ZN	2,00			--
0008	MPVR38641	N/A	GUIDE LIST W/WET L=395	2,00			--



Ref. K	Part N.	Part N. 2	Description	Quantity	Validity		Price
					From	To	
0001	MPVR28696	N/A	DEFLECTOR 99	1,00			--
0001	MPVR28696	N/A	DEFLECTOR 99	1,00			--



Ref. K	Part N.	Part N. 2	Description	Quantity	Validity		Price
					From	To	
0001	MPVR10505	N/A	CURVE PLAST DIA 38	1,00			--
0002	MPVR06762	N/A	PUSH BUTTON AIR REGULATION G5	1,00			--



Ref. K	Part N.	Part N. 2	Description	Quantity	Validity		Price
					From	To	
0001	RCVR00865	N/A	BRASS ELBOW 90° 1" M-1" M	1,00			--
0001	RCVR00865	N/A	BRASS ELBOW 90° 1" M-1" M	1,00			--



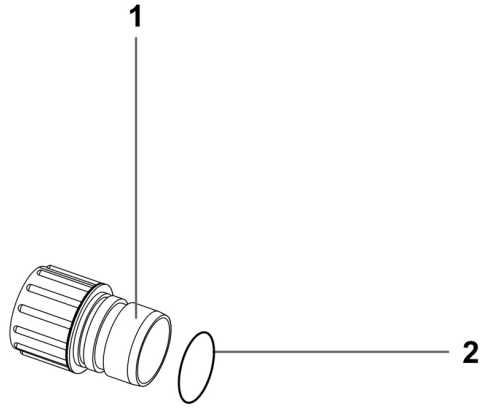
Ref. K	Part N.	Part N. 2	Description	Quantity	Validity		Price
					From	To	
0001	VTVT36751	N/A	SCREW SCREW PAT TMT PHL 5X25	1,00			--
0001	VTVT36751	N/A	SCREW SCREW PAT TMT PHL 5X25	1,00			--



Ref. K	Part N.	Part N. 2	Description	Quantity	Validity		Price
					From	To	
0001	RCVR00866	N/A	BRASS HOSE FIT. 1"M DIA 30	1,00			--
0001	RCVR00866	N/A	BRASS HOSE FIT. 1"M DIA 30	1,00			--



Ref. K	Part N.	Part N. 2	Description	Quantity	Validity		Price
					From	To	
0001	FSVR00129	N/A	CABLE TIE 25X45	1,00			--
0001	FSVR00129	N/A	CABLE TIE 25X45	1,00			--



Ref. K	Part N.	Part N. 2	Description	Quantity	Validity		Price
					From	To	
0001	MPVR13223	N/A	SLEEVE TUBOFLEX D.38/D.38	1,00	11/06/2021		--
0002	GUGO00408	N/A	O-RING D.INT. 44,12X2,62 NBR	1,00			--